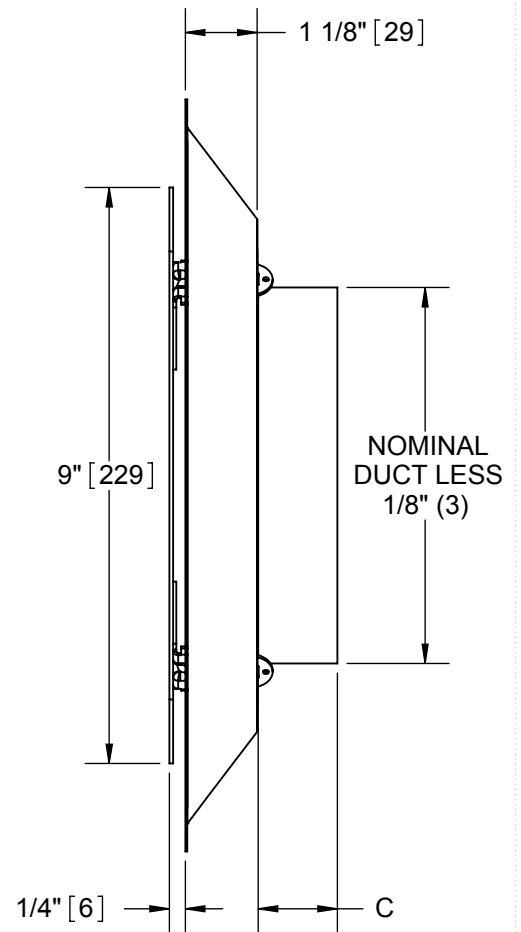
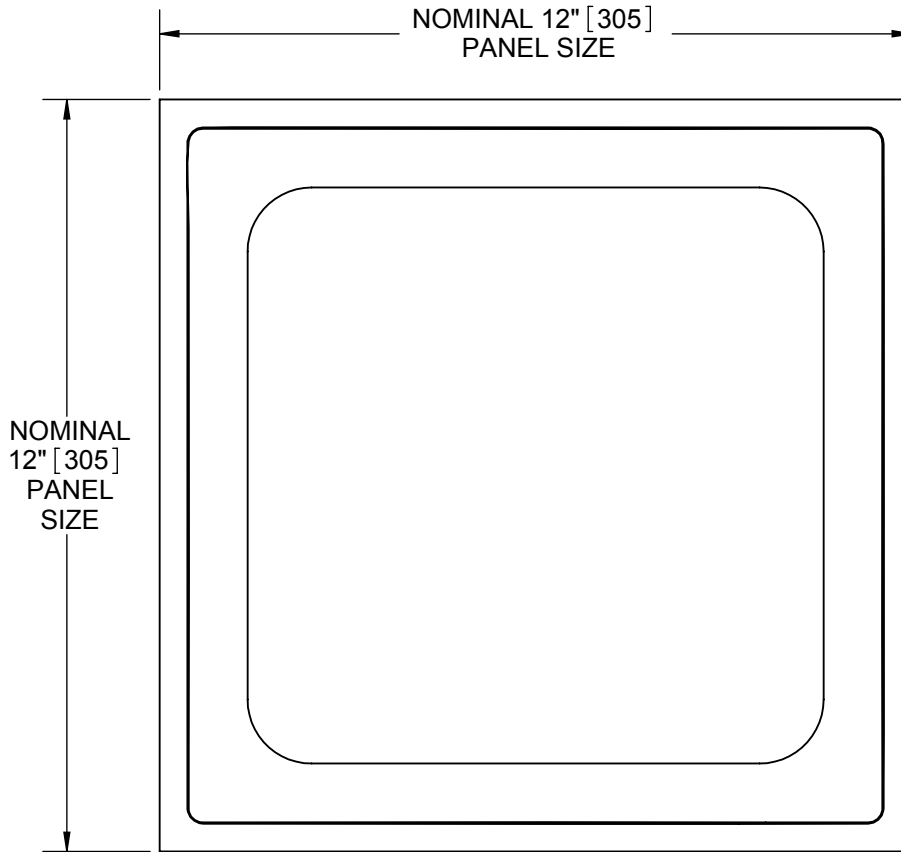


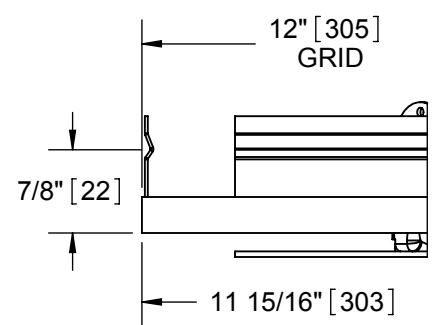
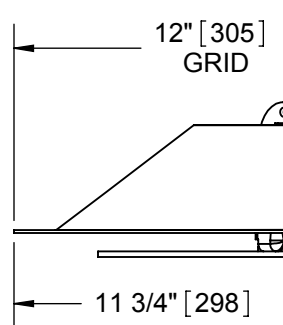
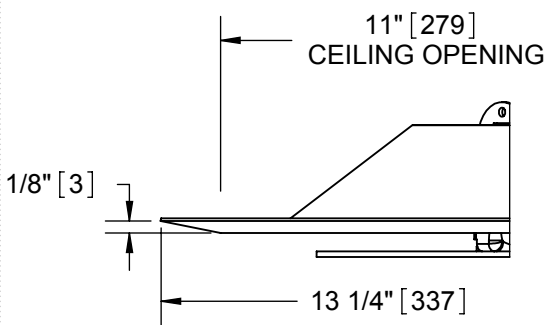
PLQ Architectural Ceiling Diffuser
12X12 Panel with Round Neck

SUBMITTAL SHEET



FACE VIEW

SIDE VIEW



FRAME 22
SURFACE MOUNT

FRAME 23
LAY-IN T-BAR

FRAME 24
SNAP-IN

NOTES:

1. Construction is 22 GA. Steel Back Pan with a 16 GA. Face Plaque
2. 44 White is Standard Finish
3. See Form DS3403.1 for Pattern Blank Off Details.

DIMENSIONS ARE SHOWN IN INCHES [MM]

NOMINAL DUCT SIZES			
	6" [152]	7" [178]	8" [203]
C	1 1/8 [29]	1 1/8" [29]	1 1/4 [32]