

MODEL

- 6500FR - Steel, fire rated, perforated ceiling diffuser with round inlet

FEATURES

- UL 263 classified assembly which incorporates a 3-hour rated fire damper and a 1/2" thick ceramic fiber blanket
- Individually adjustable curved blade pattern deflectors for horizontal to vertical throw
- Variety of air discharge patterns available
- Removable perforated face and core for easy cleaning

INLET SIZES

- Round: 6" - 14" (2" increments)

FRAME STYLES

- F23 - Lay-in T-bar

PANEL SIZES

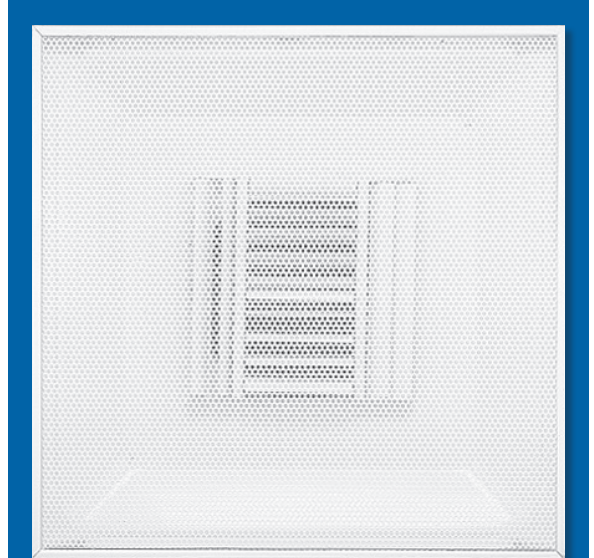
- 24"x24"

COMPATIBLE OPTIONS AND ACCESSORIES

- PRD10 - Steel, radial opposed blade damper (duct mount)
- PRD100 - Steel, radial fan damper (duct mount)
- PR12 - Steel, butterfly bladed damper (duct mount)
- RSG15 - Steel, round straightening grid (duct mount)
- OBDDM - Steel, square or rectangular damper (duct mount)
- EX8 - Steel duct extractor with 1" blade spacing (duct mount)
- EX88 - Steel duct extractor with 2" blade spacing (duct mount)
- HCF23 - Steel, hard ceiling frame

NOTE:

- ¹ Check allowance of options and accessories with local fire codes.

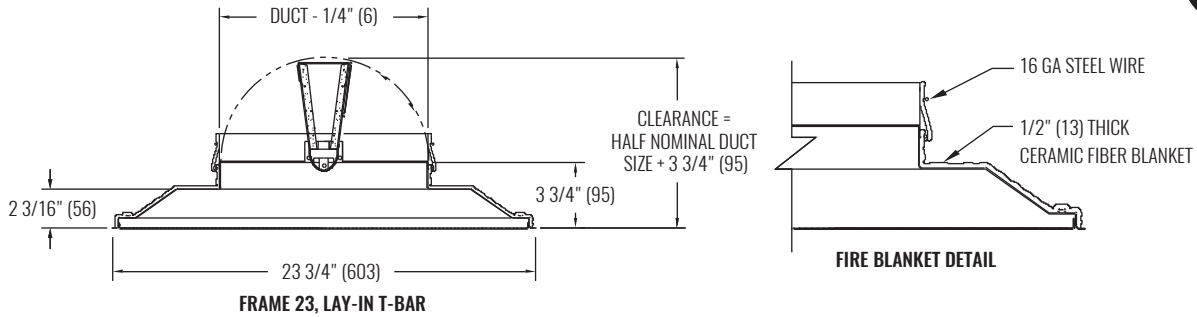


6500FR

Perforated Face Diffuser, Curved Blade Deflectors, Fire Rated



DIMENSIONAL DATA



NOTES: Dimensions in parentheses are millimeters (mm). Illustrations shown are for 24"x24" panel size.

PERFORMANCE AND DESIGN DATA

SIZE		PERFORMANCE - HORIZONTAL THROW				DESIGN		
PANEL	NOMINAL INLET	NC (< 25)		NC (25 - 40)		CFM @ NC=30	SPACING @ 0.6 CFM/sf (ft)	MINIMUM CFM/sf
		CFM	THROW (ft)	CFM	THROW (ft)			
24"x24"	6"	59 - 165	9 - 14	176 - 300	15 - 20	210	19	0.30
	8"	105 - 244	12 - 18	279 - 450	19 - 24	320	23	0.30
	10"	164 - 340	14 - 21	370 - 600	22 - 28	440	27	0.30
	12"	235 - 320	17 - 23	471 - 785	24 - 32	550	30	0.30
	14"	214 - 550	15 - 26	590 - 961	27 - 35	700	34	0.30

NOTES: Information shown is abbreviated. See website for complete information. Dimensions in parentheses are millimeters (mm). Throw value ranges are given for isothermal conditions, unless otherwise noted, and a terminal velocity of 50 FPM (0.25 m/s). NC ranges are based on octave band 2 - 7 sound power levels minus a room absorption of 10dB, re 10⁻¹² Watts. Data was obtained from tests conducted in accordance with ANSI/ASHRAE Standard 70, ISO Standard 5219, and ISO Standard 3741. Design spacing is recommended distance between diffusers in an open plan office based on ADPI > 80%, 9ft ceiling, and 55°F discharge at 30 NC and 0.6 CFM/sf. Minimum CFM/sf is based on recommended spacing at 80% ADPI. Design recommendations not applicable to vertical throw. "N/A" in design table denotes situations which do not result in ADPI>80% and are therefore not recommended.