

MODEL

- 6290FR - Steel, fire rated, perforated return with square inlet

FEATURES

- UL 263 classified assembly which incorporates a 3-hour rated fire damper and a 1/2" thick ceramic fiber blanket
- Removable perforated face and core for easy cleaning

INLET SIZES

- Square: 6"x6" - 14"x14" (2" increments)

FRAME STYLES

- F23 - Lay-in T-bar

PANEL SIZES

- 24"x24"

COMPATIBLE OPTIONS AND ACCESSORIES ¹

- OBDDM - Steel, square or rectangular damper (duct mount)
- EX8 - Steel duct extractor with 1" blade spacing (duct mount)
- EX88 - Steel duct extractor with 2" blade spacing (duct mount)
- HCF23 - Steel, hard ceiling frame

NOTE:

¹ Check allowance of options and accessories with local fire codes.



DIFFUSERS | PERFORATED FACE

6290FR

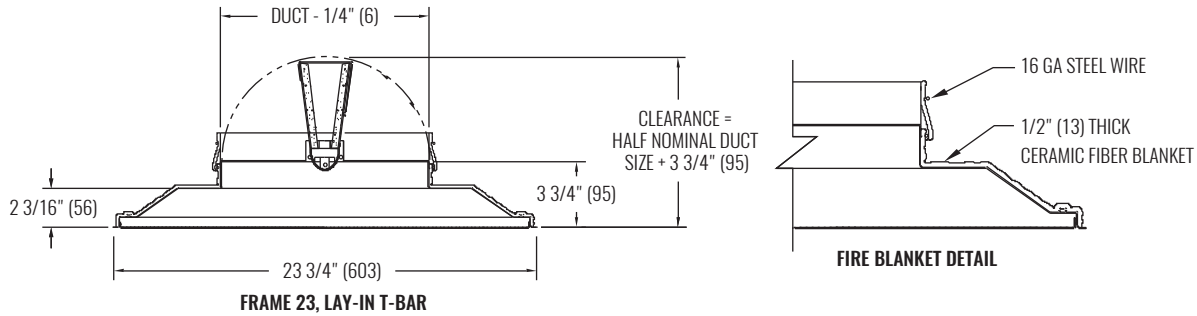


6290FR

Perforated Face Return, Fire Rated



DIMENSIONAL DATA



NOTES: Dimensions in parentheses are millimeters (mm). Illustrations shown are for 24"x24" panel size.

PERFORMANCE DATA

SIZE		PERFORMANCE	
PANEL SIZE	NOMINAL INLET	NC (< 25)	NC (25 - 40)
		CFM	CFM
24"x24"	6"x6"	75 - 400	430 - 800
	8"x8"	133 - 530	580 - 1075
	10"x10"	208 - 670	694 - 1350
	12"x12"	300 - 825	900 - 1675
	14"x14"	408 - 953	1050 - 1900

SEE BACK SUPPLEMENT FOR DESIGN INFORMATION

NOTES: Information shown is abbreviated. See website for complete information. Dimensions in parentheses are millimeters (mm). NC ranges are based on octave band 2 - 7 sound power levels minus a room absorption of 10dB, re 10⁻¹² Watts. Data was obtained from tests conducted in accordance with ANSI/ASHRAE Standard 70, ISO Standard 5219, and ISO Standard 3741.