

MODEL

- 6690 - Steel, perforated return with round inlet
- 56690 - Aluminum, perforated return with round inlet (steel backpan)

FEATURES

- Removable perforated face for easy cleaning

INLET SIZES ¹

- Round: 6" - 16" (2" increments)

FRAME STYLES

- F20 - Surface mount
- F23 - Lay-in T-bar
- F30 - Drop face
- F98 - Narrow-T ²

PANEL SIZES ¹

- 12"x12"
- 16"x16" ³
- 20"x20" ³
- 24"x12"
- 24"x24"
- 48"x24"

COMPATIBLE OPTIONS AND ACCESSORIES

- Insulated backpan
- PRD10 - Steel, radial opposed blade damper (duct mount)
- PRD100 - Steel, radial fan damper (duct mount)
- PR12 - Steel, butterfly bladed damper (duct mount)
- RSG15 - Steel, round straightening grid (duct mount)
- HCF23 - Steel, hard ceiling frame (F23 only)
- 5HCF23 - Aluminum, hard ceiling frame (F23 only)

NOTES:

¹ See catalog for available inlet and panel size combinations.

² Frame 98 only available with 24"x24" panel size.

³ Models 56690 not available in 16"x16" and 20"x20" panel sizes.



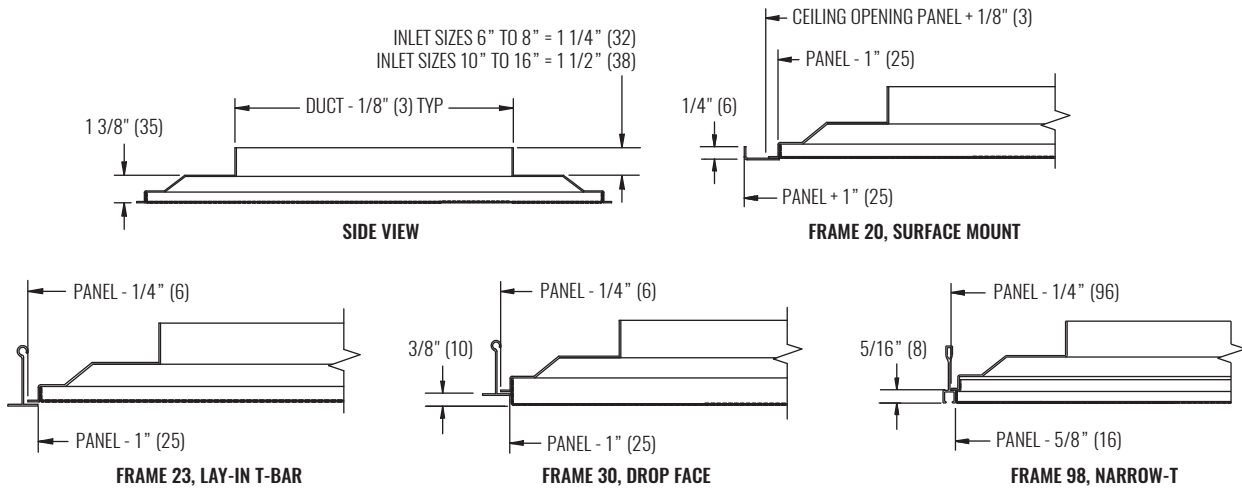
DIFFUSERS | PERFORATED FACE

6690 / 56690

WEB SEARCH: 6690 or 56690



DIMENSIONAL DATA



NOTES: Dimensions in parentheses are millimeters (mm). Illustrations shown are for 24"x24" panel size.

PERFORMANCE DATA

SIZE		PERFORMANCE	
PANEL	NOMINAL INLET	NC (< 25)	NC (25 - 40)
		CFM	CFM
12"x12"	6"	59 - 240	260 - 430
16"x16"	8"	105 - 360	384 - 660
20"x20"	14"	320 - 748	855 - 1250
24"x12"	6"	59 - 240	260 - 430
24"x24"	6"	59 - 240	260 - 430
	8"	105 - 360	384 - 660
	10"	164 - 491	545 - 905
	12"	235 - 628	706 - 1130
	14"	320 - 748	855 - 1455
48"x24"	16"	419 - 970	977 - 1760
	14"	320 - 748	855 - 1455

SEE BACK SUPPLEMENT FOR DESIGN INFORMATION

NOTES: Information shown is abbreviated. See website for complete information. Dimensions in parentheses are millimeters (mm). NC ranges are based on octave band 2 - 7 sound power levels minus a room absorption of 10dB, re 10⁻¹² Watts. Data was obtained from tests conducted in accordance with ANSI/ASHRAE Standard 70, ISO Standard 5219, and ISO Standard 3741.