

MODEL

- 6790 - Steel perforated return panel
- 56790 - Aluminum perforated return panel

FEATURES

- Matches 6000 series supply diffusers in appearance room side
- Great choice for non-ducted return air systems

FRAME STYLES

- F23 - Lay-in T-bar
- F30 - Drop face
- F98 - Narrow-T ²

PANEL SIZES

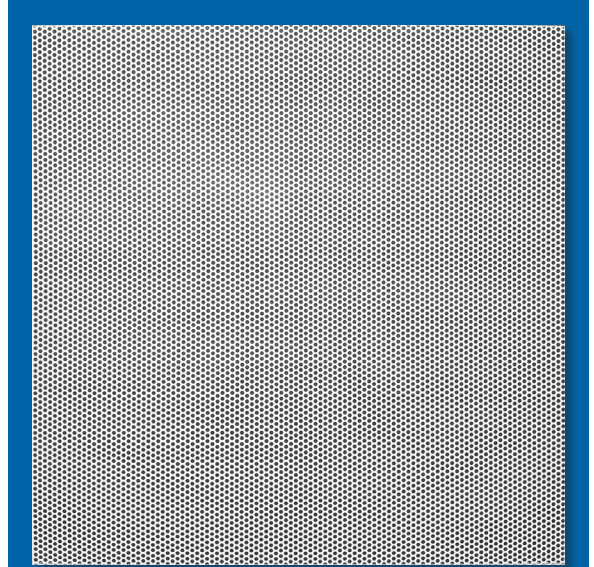
- 12"x12"
- 16"x16" ¹
- 20"x20" ¹
- 24"x12"
- 24"x24"
- 48"x12"
- 48"x24"

COMPATIBLE OPTIONS AND ACCESSORIES

- HCF23 - Steel, hard ceiling frame (F23 only)
- 5HCF23 - Aluminum, hard ceiling frame (F23 only)

NOTES:

- ¹ Size only available for model 6790.
- ² Frame 98 (F98) only available with 24"x24" panel.



DIFFUSERS | PERFORATED FACE

6790 / 56790

WEB SEARCH: 6790 or 56790

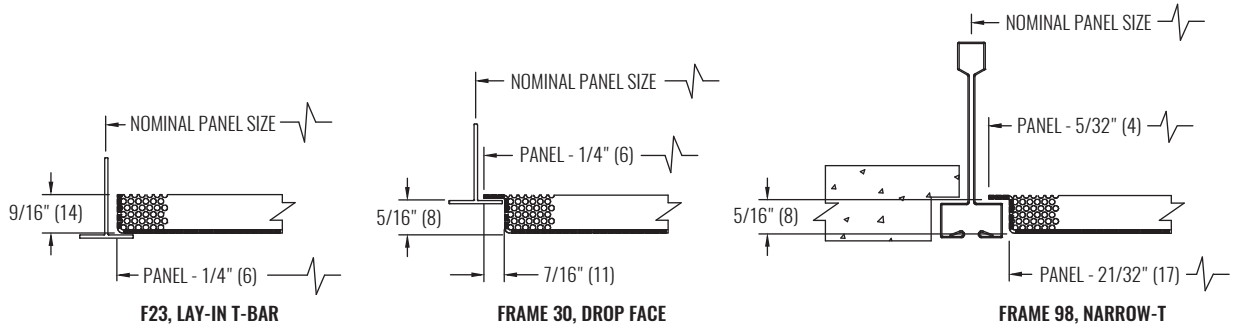


6790 / 56790

Perforated Face Return, Panel



DIMENSIONAL DATA



NOTES: Dimensions in parentheses are millimeters (mm). Illustrations shown are for 24"x24" panel size.

PERFORMANCE DATA

| SIZE | PERFORMANCE | |
|----------------------|-------------|--------------|
| | NC (< 25) | NC (25 - 40) |
| PANEL | CFM | CFM |
| 12"x12" | 200 - 750 | 800 - 1335 |
| 16"x16" ¹ | 356 - 1150 | 1244 - 1956 |
| 24"x12" | 400 - 1285 | 1340 - 2200 |
| 20"x20" ¹ | 556 - 1650 | 1667 - 2778 |
| 24"x24" | 800 - 2185 | 2275 - 4000 |
| 48"x24" | 800 - 3710 | 4000 - 6400 |

SEE BACK SUPPLEMENT FOR DESIGN INFORMATION

NOTES: Information shown is abbreviated. See website for complete information. Dimensions in parentheses are millimeters (mm). NC ranges are based on octave band 2 - 7 sound power levels minus a room absorption of 10dB, re 10⁻¹² Watts. Data was obtained from tests conducted in accordance with ANSI/ASHRAE Standard 70, ISO Standard 5219, and ISO Standard 3741.

¹ Size only available for model 6790.