

MODEL

- 51240P - Aluminum, modular core diffuser with perforated face and architectural frame, square inlet

FEATURES

- Hand-removable modular cores
- Variety of discharge air patterns

INLET SIZES

- Square: 6"x6" - 20"x20" (2" increments)

FRAME STYLES

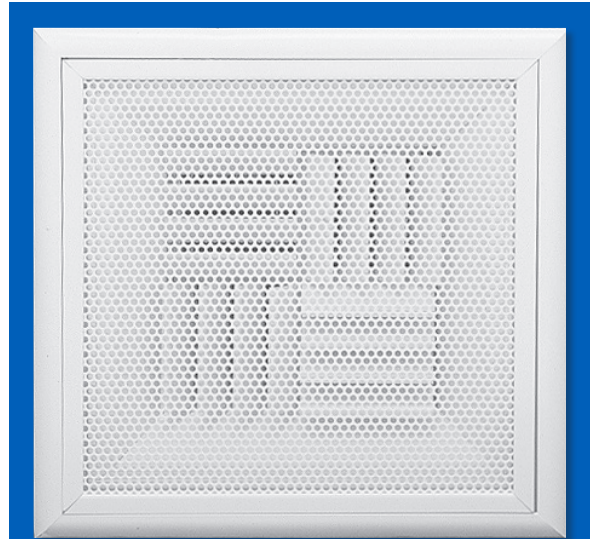
- F22 - Surface mount
- F23 - Lay-in T-bar
- F29 - Camlock

PANEL SIZES

- 24"x24"

COMPATIBLE OPTIONS AND ACCESSORIES

- OBD1240 - Steel, square or rectangular damper
- 5OBD1240 - Aluminum, square or rectangular damper
- OBDDM - Steel, square or rectangular damper (duct mount)
- EX8 - Steel duct extractor with 1" blade spacing (duct mount)
- EX88 - Steel duct extractor with 2" blade spacing (duct mount)
- HCF23 - Steel, hard ceiling frame (F23 only)
- 5HCF23 - Aluminum, hard ceiling frame (F23 only)
- SSG - Steel, square or rectangular straightening grid
- SRAC325 - Steel, square to round adapter

**WEB SEARCH: 51240P**

51240P

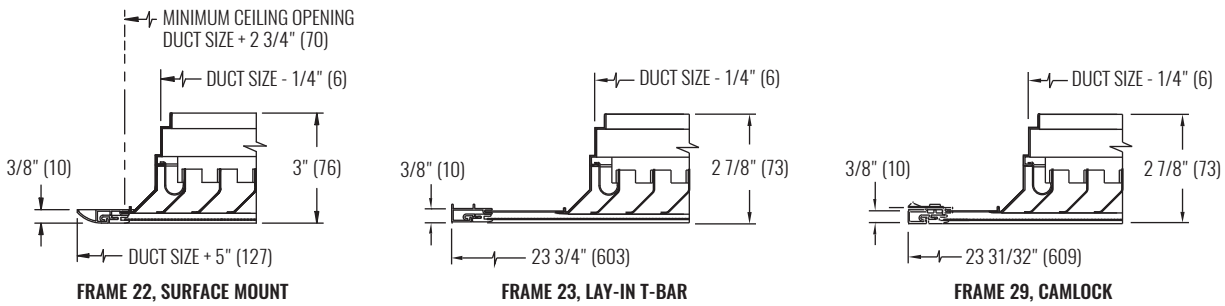
Modular Core Diffuser, Perforated Face, Architectural Frame



DIFFUSERS | MODULAR CORE

51240P

DIMENSIONAL DATA



NOTES: Dimensions in parentheses are millimeters (mm). A 24"x24" panel with F23 or F29 is not available with a 20"x20" inlet size.

PERFORMANCE AND DESIGN DATA

SIZE		PERFORMANCE - HORIZONTAL THROW				DESIGN		
PANEL	NOMINAL INLET	NC (< 25)		NC (25 - 40)		CFM @ NC=30	SPACING @ 0.6 CFM/sf (ft)	MINIMUM CFM/sf
		CFM	THROW (ft)	CFM	THROW (ft)			
24"x24"	6"x6"	75 - 185	3 - 7	200 - 300	8 - 10	225	19	N/A
	8"x8"	133 - 267	4 - 8	311 - 444	9 - 12	325	23	N/A
	10"x10"	208 - 390	5 - 9	417 - 625	10 - 14	475	28	N/A
	12"x12"	250 - 530	5 - 11	600 - 800	12 - 16	600	32	N/A
	14"x14"	272 - 625	5 - 11	681 - 1030	12 - 18	800	37	N/A
	16"x16"	356 - 770	5 - 12	810 - 1244	12 - 19	920	39	N/A
	18"x18"	415 - 900	6 - 12	970 - 1450	13 - 19	1150	44	N/A
	20"x20"	556 - 1050	7 - 13	1111 - 1667	13 - 20	1200	45	N/A

NOTES: Information shown is abbreviated. See website for complete information. Dimensions in parentheses are millimeters (mm). Throw value ranges are given for isothermal conditions, unless otherwise noted, and a terminal velocity of 50 FPM (0.25 m/s). NC ranges are based on octave band 2 - 7 sound power levels minus a room absorption of 10dB, re 10⁻¹² Watts. Data was obtained from tests conducted in accordance with ANSI/ASHRAE Standard 70, ISO Standard 5219, and ISO Standard 3741. Design spacing is recommended distance between diffusers in an open plan office based on ADPI > 80%, 9ft ceiling, and 55°F discharge at 30 NC and 0.6 CFM/sf. Minimum CFM/sf is based on recommended spacing at 80% ADPI. Design recommendations not applicable to vertical throw. "N/A" in design table denotes situations which do not result in ADPI>80% and are therefore not recommended.