

## MODEL

- 1900SQS - Linear slot square supply diffuser
- 1900SQR - Linear slot square return diffuser
- 1900SQSI - Linear slot insulated supply diffuser

## FEATURES

- Aluminum diffuser with steel backpan, round inlet
- 1 - 4 slots available in 3/4" and 1" slot widths
- Blades are removable to allow diffuser to serve as a low-pressure-drop return
- Airflow pattern is adjustable 1, 2, 3, and 4-way
- Ceiling tile center receptacle (ceiling tile by others)

## INLET SIZES

- Round: 8" - 14" (2" increments)

## SLOTS

- Slot Quantity: 1 - 4
- Slot Width: 3/4", 1"

## FRAME STYLES

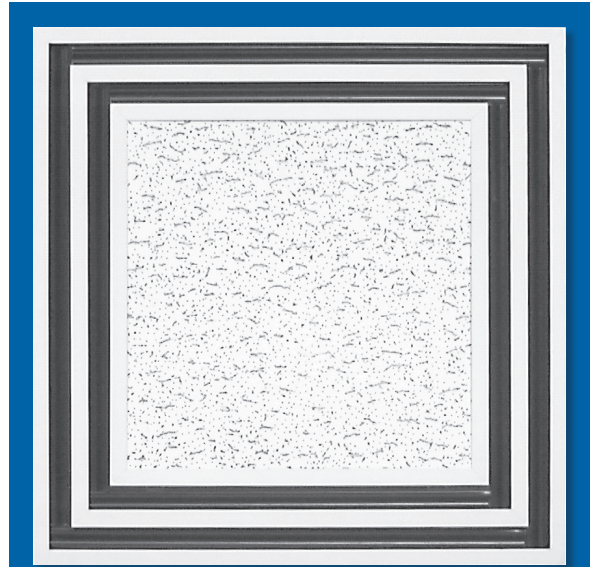
- F23 - Lay-in T-bar
- F98 - Narrow T-bar ceiling mount

## PANEL SIZES

- 24"x24"

## COMPATIBLE OPTIONS AND ACCESSORIES

- PR10 - Steel, radial opposed blade damper
- PRN100 - Steel, radial fan damper
- RP12 - Steel, butterfly bladed damper
- PRD10 - Steel, radial opposed blade damper (duct mount)
- PRD100 - Steel, radial fan damper (duct mount)
- PR12 - Steel, butterfly bladed damper (duct mount)
- RSG15 - Steel, round straightening grid (duct mount)
- PRSG15 - Steel, round straightening grid
- OBDDM - Steel, square or rectangular damper (duct mount)
- EX8 - Steel duct extractor with 1" blade spacing (duct mount)
- EX88 - Steel duct extractor with 2" blade spacing (duct mount)
- HCF23 - Steel, hard ceiling frame (F23 only)
- 5HCF23 - Aluminum, hard ceiling frame (F23 only)

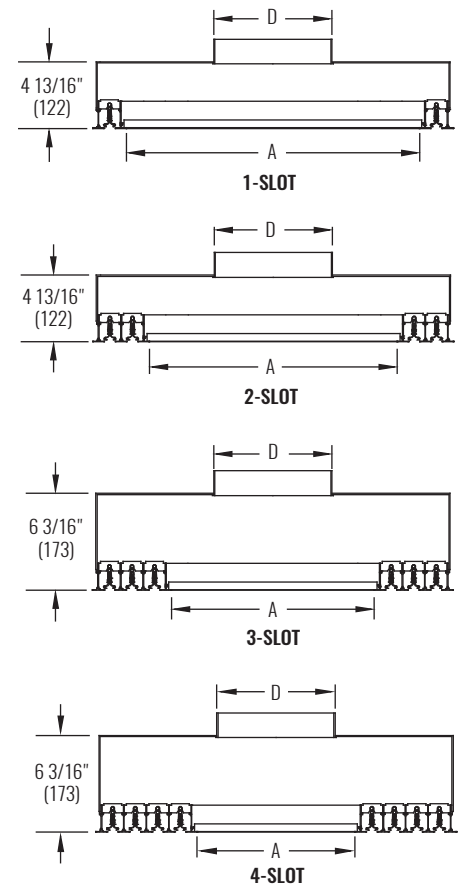
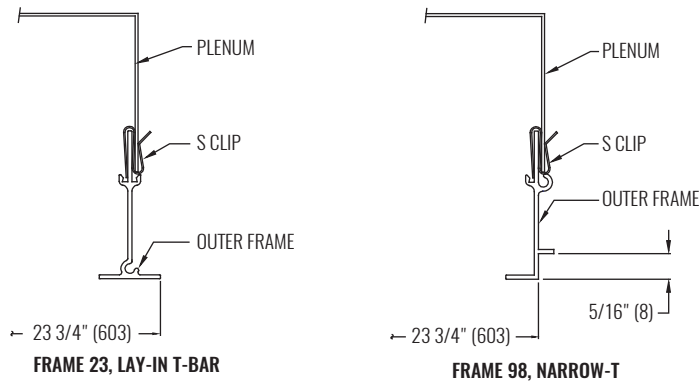


# 1900SQ SERIES

Linear Slot Diffuser, Square



## DIMENSIONAL DATA



DIMENSIONS					
NUMBER OF SLOTS	SLOT WIDTHS	FRAME 23		FRAME 98	
		A	D	A	D
1	3/4" (19)	19 1/4" (489)	8" (203)	19 9/16" (497)	8" (203)
2		16 1/4" (413)	10" (254)	16 9/16" (421)	10" (254)
3		13 1/4" (337)	12" (305)	13 9/16" (344)	12" (305)
4		10 1/4" (260)	14" (356)	10 9/16" (268)	14" (356)
1	1" (25)	18 3/4" (476)	8" (203)	19 1/16" (484)	8" (203)
2		15 1/4" (387)	10" (254)	15 9/16" (395)	10" (254)
3		11 3/4" (298)	12" (305)	12 1/16" (306)	12" (305)
4		8 1/4" (210)	14" (356)	8 9/16" (217)	14" (356)

NOTES: Dimensions in parentheses are millimeters (mm)

## PERFORMANCE AND DESIGN DATA

SIZE			PERFORMANCE - HORIZONTAL THROW				DESIGN		
SLOT WIDTH	SLOT QUANTITY	NOMINAL INLET	NC (< 25)		NC (25 - 40)		CFM @ NC-30	SPACING @ 0.6 CFM/sf (ft)	MINIMUM CFM/sf
			CFM	THROW (ft)	CFM	THROW (ft)			
3/4"	2	8"	70 - 290	5 - 12	300 - 384	12 - 14	325	23	0.40
3/4"	2	10"	109 - 295	7 - 12	300 - 480	12 - 16	350	24	0.40
3/4"	3	12"	157 - 393	8 - 14	471 - 628	15 - 18	470	28	0.40
1"	1	8"	35 - 195	4 - 14	205 - 314	14 - 17	220	19	0.30
1"	2	8"	70 - 297	6 - 17	305 - 419	17 - 20	350	24	0.32
1"	2	10"	109 - 300	9 - 17	327 - 491	17 - 21	375	25	0.32
1"	4	10"	136 - 432	8 - 19	395 - 600	19 - 24	450	27	0.33
1"	4	12"	157 - 416	9 - 20	444 - 680	20 - 25	500	29	0.34
1"	4	14"	160 - 460	10 - 21	480 - 748	21 - 26	540	30	0.35

NOTES: Information shown is abbreviated. See website for complete information. Dimensions in parentheses are millimeters (mm). Throw value ranges are given for isothermal conditions, unless otherwise noted, and a terminal velocity of 50 FPM (0.25 m/s). NC ranges are based on octave band 2 - 7 sound power levels minus a room absorption of 10dB, re 10<sup>-12</sup> Watts. Data was obtained from tests conducted in accordance with ANSI/ASHRAE Standard 70, ISO Standard 5219, and ISO Standard 3741. Design spacing is recommended distance between diffusers in an open plan office based on ADPI > 80%, 9ft ceiling, and 55°F discharge at 30 NC and 0.6 CFM/sf. Minimum CFM/sf is based on recommended spacing at 80% ADPI.

© Copyright Krueger 2018