

**MODEL**

- PTBS - Steel plenum slot diffuser with gasketed aluminum blade

**FEATURES**

- Combination Slot diffuser with plenum for lay-in T-bar ceiling systems
- Gasketed aluminum straight blade is fully adjustable from horizontal through vertical discharge and can be locked into place with blade screws
- Double metal thickness at slot face for rigidity and straightness

**PLENUM INLET SIZES**

- Round: 5" <sup>1</sup>
- Oval: 6" - 12" (2" increments) <sup>2</sup>

**SLOTS**

- Slot Quantity: 1 - 4
- Slot Width: 3/4", 1", 1 1/2"
- Slot Length: 24", 36", 48", 60"

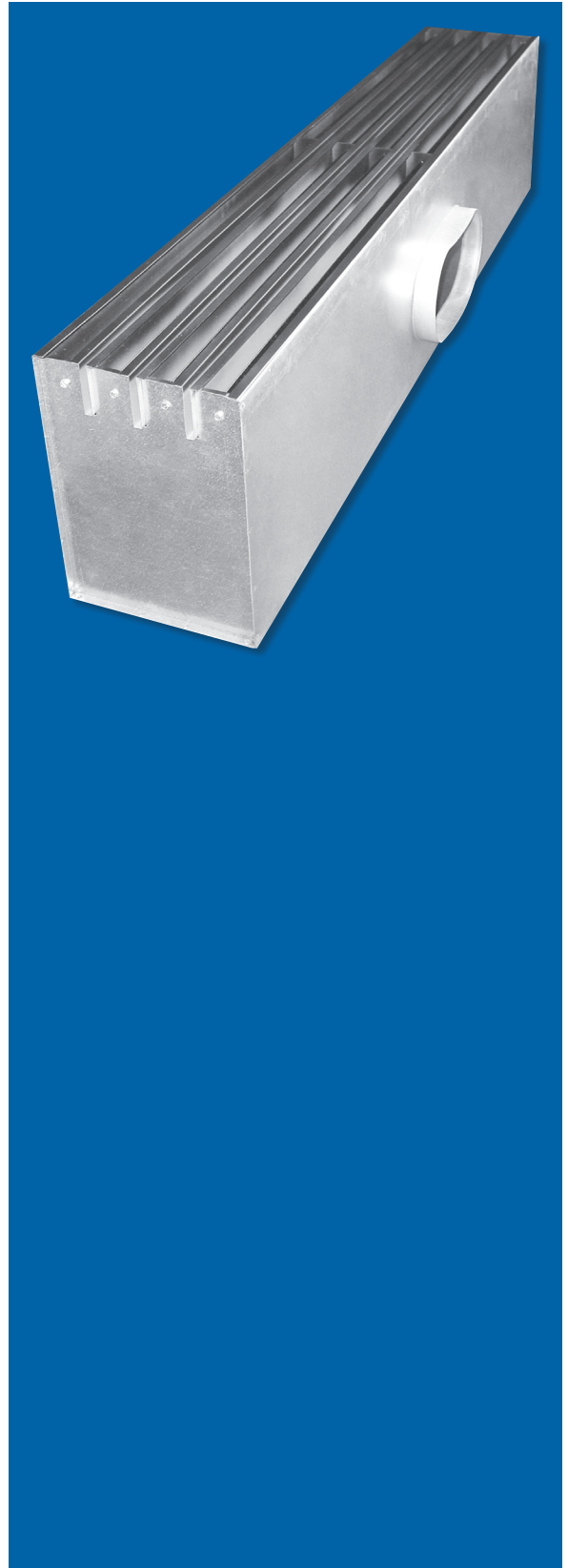
**COMPATIBLE OPTIONS AND ACCESSORIES**

- Quadrant damper
- Cable operated damper
- Various insulation options
- HCFPTBS - Plaster frame
- Center notch and mounting tab mounting options
- Factory installed T-bar options

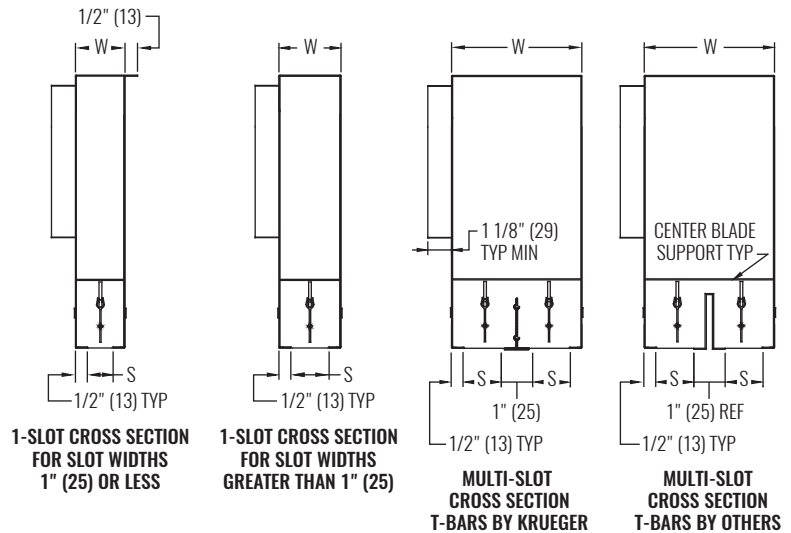
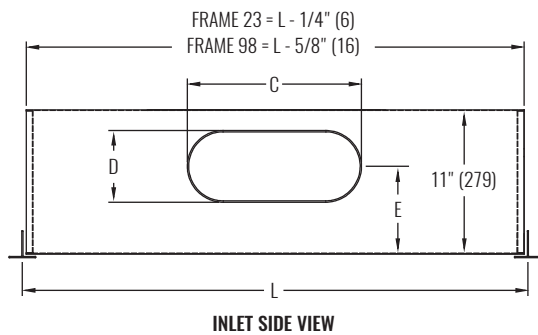
NOTES: Not all options available with all configurations or one another. See website for complete compatibility.

<sup>1</sup> 5" round inlet not available on 48" or 60" units.

<sup>2</sup> 12" oval inlet only available on 48" and 60" lengths.



## DIMENSIONAL DATA



| DIMENSIONS        |                   |                 |                  |                            |
|-------------------|-------------------|-----------------|------------------|----------------------------|
| INLET             | C                 | D               | E                | L                          |
| 5" (127)<br>ROUND | 4 7/8"<br>(124)   | 4 7/8"<br>(124) | 6 3/16"<br>(157) | 24" - 36"<br>(610 - 914)   |
| 6" (152)<br>OVAL  | 6 1/4"<br>(159)   | 5 1/4"<br>(133) | 6 3/8"<br>(162)  | 24" - 60"<br>(610 - 1524)  |
| 8" (203)<br>OVAL  | 9 3/8"<br>(238)   | 5 1/4"<br>(133) | 6 3/8"<br>(162)  | 24" - 60"<br>(610 - 1524)  |
| 10" (254)<br>OVAL | 12 1/2"<br>(318)  | 5 1/4"<br>(133) | 6 3/8"<br>(162)  | 24" - 60"<br>(610 - 1524)  |
| 12" (305)<br>OVAL | 15 9/16"<br>(395) | 5 1/4"<br>(133) | 6 3/8"<br>(162)  | 48" - 60"<br>(1219 - 1524) |

| FRAME 23 DIMENSIONS |             |             |              |           |
|---------------------|-------------|-------------|--------------|-----------|
| S                   | 1-SLOT W    | 2-SLOT W    | 3-SLOT W     | 4-SLOT W  |
| 3/4" (19)           | 1 3/4" (44) | 3 1/2" (89) | 5 1/4" (133) | 7" (178)  |
| 1" (25)             | 2" (51)     | 4" (102)    | 6" (152)     | 8" (203)  |
| 1 1/2" (38)         | 2 1/2" (64) | 5" (127)    | 7 1/2" (191) | 10" (254) |

NOTES: Dimensions in parentheses are millimeters (mm). See website for Frame 98 (F98) dimensions.

## PERFORMANCE AND DESIGN DATA

| SIZE       |          |               | PERFORMANCE - HORIZONTAL THROW, 48" UNIT LENGTH |                  |                  |              |                  |                  | DESIGN      |                           |                |
|------------|----------|---------------|---|------------------|------------------|--------------|------------------|------------------|-------------|---------------------------|----------------|
| SLOT WIDTH | SLOT QTY | NOMINAL INLET | NC (< 25)                                       |                  |                  | NC (25 - 40) |                  |                  | CFM @ NC-30 | SPACING @ 0.6 CFM/sf (ft) | MINIMUM CFM/sf |
|            |          |               | CFM   | 1-WAY THROW (ft) | 2-WAY THROW (ft) | CFM          | 1-WAY THROW (ft) | 2-WAY THROW (ft) |             |                           |                |
| 3/4"       | 2        | 8"            | 60 - 125  | 14 - 21          | 10 - 15          | 143 - 225    | 22 - 28          | 16 - 20          | 150         | 21                        | 0.22           |
| 1"         | 2        | 6"            | 75 - 155  | 15 - 23          | 11 - 16          | 165 - 275    | 24 - 30          | 17 - 21          | 200         | 28                        | 0.20           |
| 1"         | 2        | 8"            | 90 - 195  | 17 - 26          | 12 - 18          | 205 - 345    | 26 - 34          | 18 - 24          | 230         | 32                        | 0.20           |
| 1"         | 2        | 10"           | 120 - 225                                       | 20 - 28          | 14 - 20          | 240 - 390    | 28 - 36          | 20 - 25          | 300         | 42                        | 0.22           |
| 1"         | 2        | 12"           | 125 - 280                                       | 21 - 31          | 15 - 22          | 300 - 500    | 32 - 41          | 23 - 29          | 340         | 47                        | 0.25           |
| 1"         | 4        | 12"           | 190 - 410                                       | 25 - 37          | 18 - 26          | 430 - 730    | 38 - 50          | 27 - 35          | 500         | 69                        | 0.25           |
| 1.5"       | 2        | 8"            | 90 - 200  | 15 - 26          | 11 - 18          | 215 - 360    | 27 - 35          | 19 - 25          | 250         | 35                        | 0.22           |
| 1.5"       | 2        | 10"           | 100 - 230                                       | 17 - 28          | 12 - 20          | 250 - 410    | 29 - 37          | 21 - 26          | 300         | 42                        | 0.22           |
| 1.5"       | 4        | 12"           | 200 - 425                                       | 24 - 38          | 17 - 27          | 450 - 740    | 39 - 50          | 28 - 35          | 360         | 50                        | 0.23           |

NOTES: Information shown is abbreviated. See website for complete information. Dimensions in parentheses are millimeters (mm). ADPI based on 8ft gap between ends of diffusers. Controlled zone is 12 ft wide by indicated separation distance. Unless otherwise noted, throw value ranges provided are for a horizontal discharge air pattern at isothermal conditions and a terminal velocity of 50 FPM (0.25 m/s). NC ranges are based on octave band 2 - 7 sound power levels minus a room absorption of 10dB, re 10<sup>-12</sup> Watts. Data was obtained from tests conducted in accordance with ANSI/ASHRAE Standard 70, ISO Standard 5219, and ISO Standard 3741.