

MODEL

- PTBA - Steel plenum slot diffuser with 'ice tong' type blades

FEATURES

- Combination slot diffuser with plenum for lay-in T-bar ceiling systems
- Extruded aluminum "ice tong" blades are adjustable from horizontal to vertical discharge
- Double metal thickness at slot face for rigidity and straightness

PLENUM INLET SIZES

- Round: 5" ¹
- Oval: 6" - 12" (2" increments) ²

SLOTS

- Slot Quantity: 1 - 4
- Slot Width: 3/4", 1"
- Slot Length: 24", 36", 48", 60"

COMPATIBLE OPTIONS AND ACCESSORIES

- Quadrant damper
- Cable operated damper
- HCFPTBA - Plaster frame
- Center notch and mounting tab mounting options
- Factory installed T-bar options
- Various insulation options

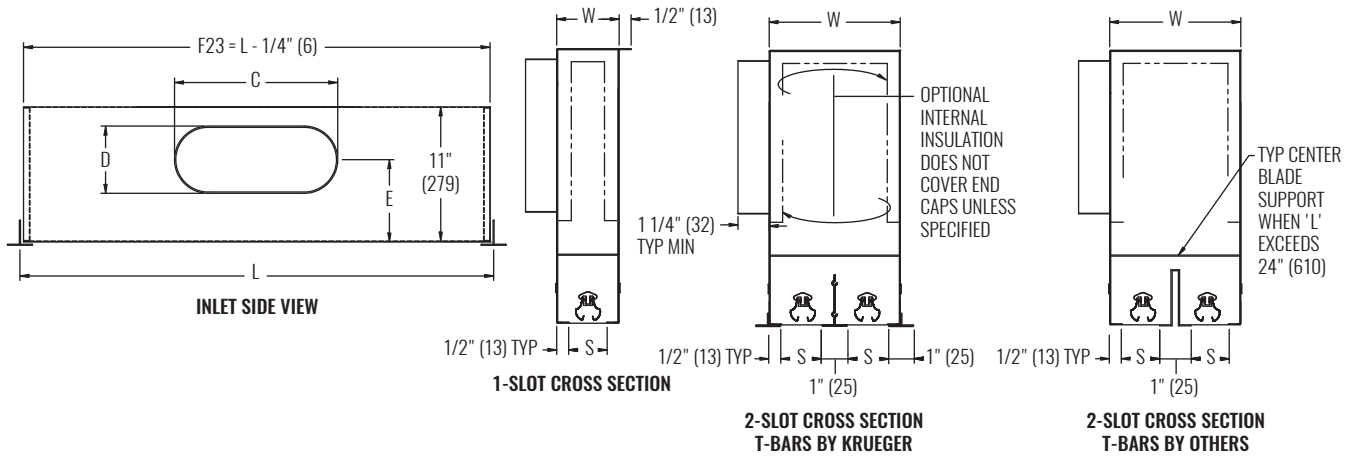
NOTES: Not all options available with all configurations or one another. See website for complete compatibility.

¹ 5" round inlet not available on 48" or 60" units.

² 12" oval inlet only available on 48" and 60" lengths.



DIMENSIONAL DATA



DIMENSIONS				
INLET	C	D	E	L
5" (127) ROUND	4 7/8" (124)	4 7/8" (124)	6 3/16" (157)	24" (610) - 36" (914)
6" (152) OVAL	6 1/4" (159)	5 1/4" (133)	6 3/8" (162)	24" (610) - 60" (1524)
8" (203) OVAL	9 3/8" (238)	5 1/4" (133)	6 3/8" (162)	24" (610) - 60" (1524)
10" (254) OVAL	12 1/2" (318)	5 1/4" (133)	6 3/8" (162)	24" (610) - 60" (1524)
12" (305) OVAL	15 9/16" (395)	5 1/4" (133)	6 3/8" (162)	48" (1219) - 60" (1524)

DIMENSIONS				
S	1-SLOT	2-SLOT	3-SLOT	4-SLOT
	W	W	W	W
3/4" (19)	1 3/4" (44)	3 1/2" (89)	5 1/4" (133)	7" (178)
1" (25)	2" (51)	4" (102)	6" (152)	8" (203)

NOTES: Dimensions in parentheses are millimeters (mm).

PERFORMANCE AND DESIGN DATA

SIZE			PERFORMANCE - HORIZONTAL THROW, 48" UNIT LENGTH						DESIGN		
SLOT WIDTH	SLOT QTY	NOMINAL INLET	NC (< 25)			NC (25 - 40)			CFM @ NC=30	SPACING @ 0.6 CFM/sf (ft)	MINIMUM CFM/sf
			CFM	1-WAY THROW (ft)	2-WAY THROW (ft)	CFM	1-WAY THROW (ft)	2-WAY THROW (ft)			
3/4"	2	8"	100 - 165	16 - 20	11 - 14	170 - 310	20 - 27	14 - 19	210	29	0.25
3/4"	3	10"	130 - 240	18 - 24	13 - 17	262 - 460	25 - 33	18 - 23	310	43	0.28
1"	2	6"	70 - 130	10 - 18	7 - 13	160 - 250	20 - 25	14 - 18	180	25	0.30
1"	2	8"	90 - 160	13 - 20	9 - 14	195 - 300	22 - 27	16 - 19	210	29	0.30
1"	2	10"	100 - 180	15 - 21	11 - 15	220 - 340	23 - 29	16 - 21	240	33	0.30
1"	2	12"	120 - 215	17 - 23	12 - 16	233 - 400	24 - 31	17 - 22	280	39	0.30
1"	3	8"	125 - 210	15 - 22	11 - 16	225 - 391	23 - 31	16 - 22	260	36	0.30
1"	3	10"	150 - 233	18 - 24	13 - 17	250 - 450	25 - 33	18 - 23	300	42	0.30
1"	3	12"	200 - 287	22 - 26	16 - 18	309 - 520	27 - 36	19 - 25	350	49	0.30
1"	4	8"	140 - 252	14 - 24	10 - 17	260 - 500	25 - 35	18 - 25	320	44	0.30
1"	4	10"	160 - 282	16 - 26	11 - 18	300 - 533	27 - 36	19 - 25	380	53	0.30
1"	4	12"	200 - 337	21 - 29	15 - 21	360 - 634	30 - 39	21 - 28	440	61	0.30

NOTES: Information shown is abbreviated. See website for complete information. Dimensions in parentheses are millimeters (mm). ADPI based on 8ft gap between ends of diffusers. Controlled zone is 12 ft wide by indicated separation distance. Unless otherwise noted, throw value ranges provided are for a horizontal discharge air pattern at isothermal conditions and a terminal velocity of 50 FPM (0.25 m/s). NC ranges are based on octave band 2 - 7 sound power levels minus a room absorption of 10dB, re 10-12 Watts. Data was obtained from tests conducted in accordance with ANSI/ASHRAE Standard 70, ISO Standard 5219, and ISO Standard 3741.