

MODEL

- PTBT - Steel plenum slot diffuser with fixed blades

FEATURES

- Combination slot diffuser with plenum for lay-in T-bar ceiling systems
- Left or right inlet orientation, changeable in the field
- Extruded aluminum curved blades
- 1-way or 2-way¹ fixed horizontal discharge air patterns
- Removable inlet collar for field retrofit

PLENUM INLET SIZES

- Oval: 6" - 10" (2" increments)

SLOTS

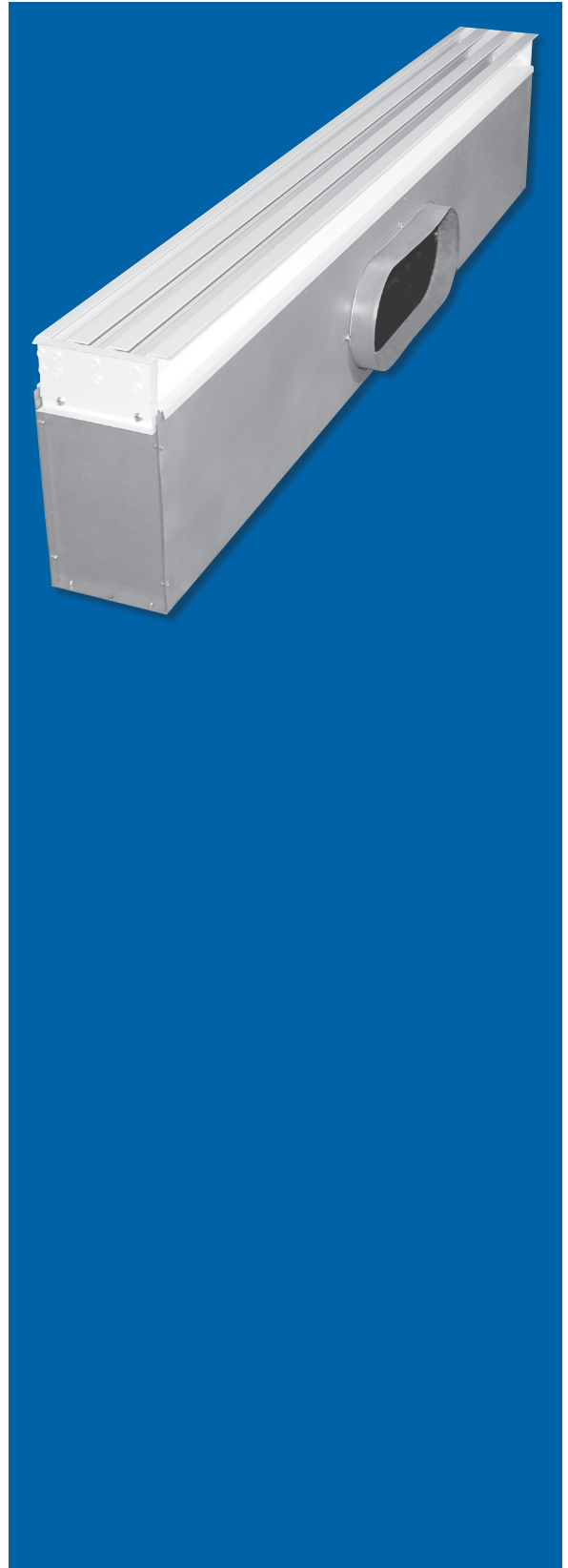
- Slot Quantity: 1 - 4
- Slot Width: 3/4", 1"
- Slot Length: 24", 36", 48", 60"

COMPATIBLE OPTIONS AND ACCESSORIES

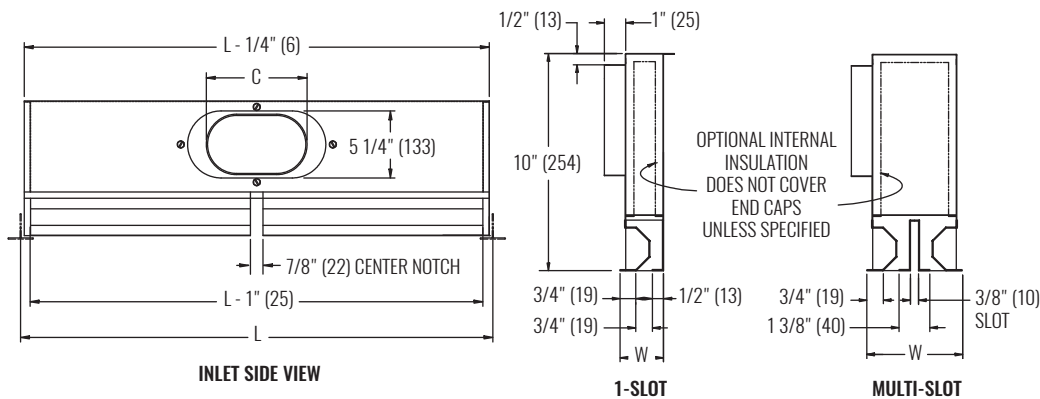
- Quadrant damper
- Cable operated damper
- Various insulation options
- HCFPTBT plaster frame or center notch mounting

NOTES: Not all options available with all configurations or one another. See website for complete compatibility.

¹ 2-way throw requires minimum of 2 slots.



DIMENSIONAL DATA



DIMENSIONS	
PATTERN	FACE WIDTH (W)
11L / 11R	2" (51)
21L / 21R	3 1/2" (89)
31L / 31R	5" (127)
41L / 41R	6 1/2" (165)
22	4 3/8" (111)
32L / 32R	5 7/8" (149)
42	7 3/8" (187)

NOTES: Dimensions in parentheses are millimeters (mm). See table below for dimensional references.

PERFORMANCE, DESIGN, AND DIMENSIONAL DATA

SIZE		PERFORMANCE - HORIZONTAL THROW, 48" UNIT LENGTH						DESIGN			DIMENSIONS	
SLOT QTY	NOMINAL INLET	NC (< 25)			NC (25 - 40)			CFM @ NC=30	SPACING @ 0.6 CFM/sf (ft)	MINIMUM CFM/sf	C	L
		CFM	1-WAY THROW (ft)	2-WAY THROW (ft)	CFM	1-WAY THROW (ft)	2-WAY THROW (ft)					
2	6"	40 - 170	3 - 20	2 - 11	190 - 400	21 - 31	12 - 17	220	31	0.30	6 1/4" (159)	24" (610) - 60" (1524)
2	8"	60 - 190	7 - 21	3 - 12	210 - 480	23 - 34	12 - 19	270	38	0.30	9 3/8" (238)	24" (610) - 60" (1524)
2	10"	80 - 200	12 - 22	6 - 12	220 - 500	23 - 35	13 - 19	290	40	0.30	12 1/2" (317)	24" (610) - 60" (1524)
4	8"	115 - 320	13 - 23	6 - 15	350 - 745	24 - 35	16 - 23	450	63	0.30	9 3/8" (238)	24" (610) - 60" (1524)
4	10"	160 - 340	16 - 23	10 - 16	370 - 790	24 - 36	16 - 24	475	66	0.30	12 1/2" (317)	24" (610) - 60" (1524)

NOTES: Information shown is abbreviated. See website for complete information. Dimensions in parentheses are millimeters (mm). ADPI based on 8ft gap between ends of diffusers. Controlled zone is 12 ft wide by indicated separation distance. Unless otherwise noted, throw value ranges provided are for a horizontal discharge air pattern at isothermal conditions and a terminal velocity of 50 FPM (0.25 m/s). NC ranges are based on octave band 2 - 7 sound power levels minus a room absorption of 10dB, re 10^{-12} Watts. Data was obtained from tests conducted in accordance with ANSI/ASHRAE Standard 70, ISO Standard 5219, and ISO Standard 3741.