

## MODEL

- PTBSS - Steel plenum slot diffuser with a fixed aluminum blade, shipped loose
- PTBSSFB - Steel plenum slot diffuser with a fixed aluminum blade, factory installed

## FEATURES

- Combination slot diffuser with plenum for lay-in T-bar ceiling systems
- Steel pattern controllers either factory installed (PTBSSFB) or shipped loose for field installation (PTBSS)
- 1-way (1-slot) or 2-way (2-slot) fixed horizontal discharge air patterns
- Double metal thickness at slot face for rigidity and straightness

## PLENUM INLET SIZES

- Round: 5" <sup>1</sup>
- Oval: 6" - 12" (2" increments) <sup>2</sup>

## SLOTS

- Slot Quantity: 1, 2
- Slot Width: 1", 1 1/2"
- Slot Length: 24", 36", 48", 60"

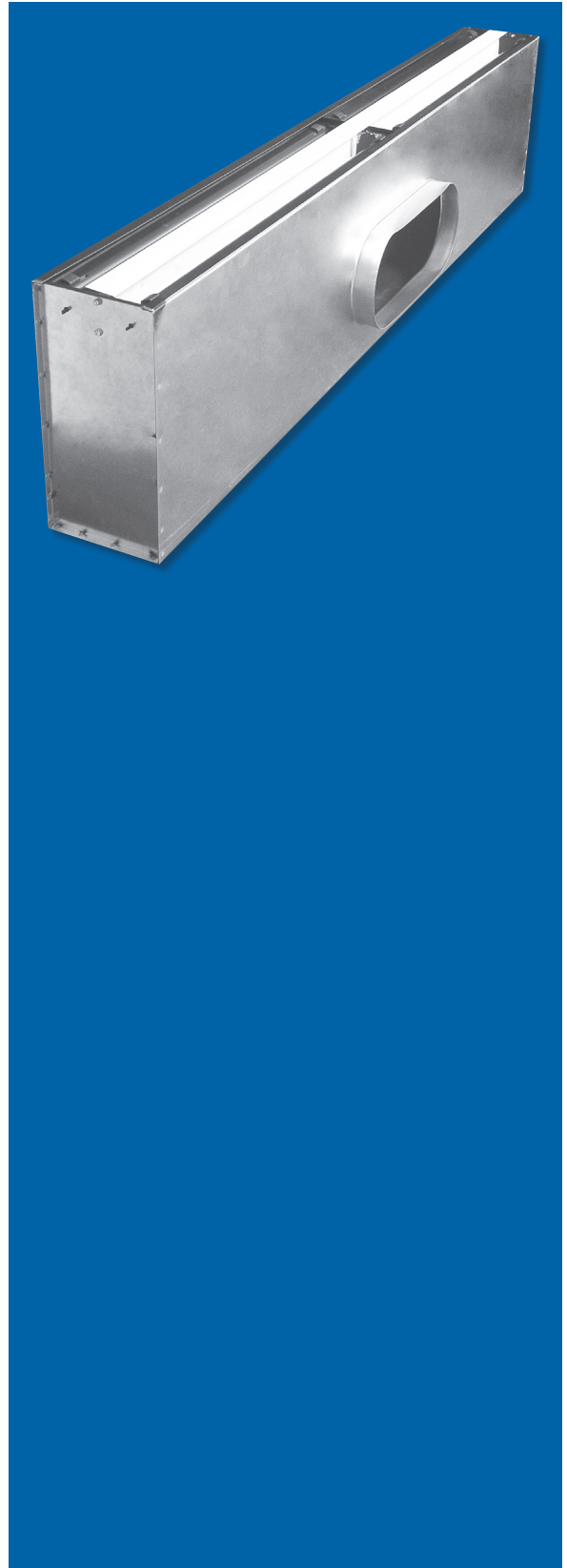
## COMPATIBLE OPTIONS AND ACCESSORIES

- Quadrant damper
- Cable operated damper
- Various insulation options
- HCFPTBSS / HCFPTBSSFB plaster frame or mounting tab mounting options
- Factory installed T-bar options

NOTES: Not all options available with all configurations or one another. See website for complete compatibility.

<sup>1</sup> 5" round inlet not available on 48" or 60" units.

<sup>2</sup> 12" oval inlet only available on 48" and 60" lengths.

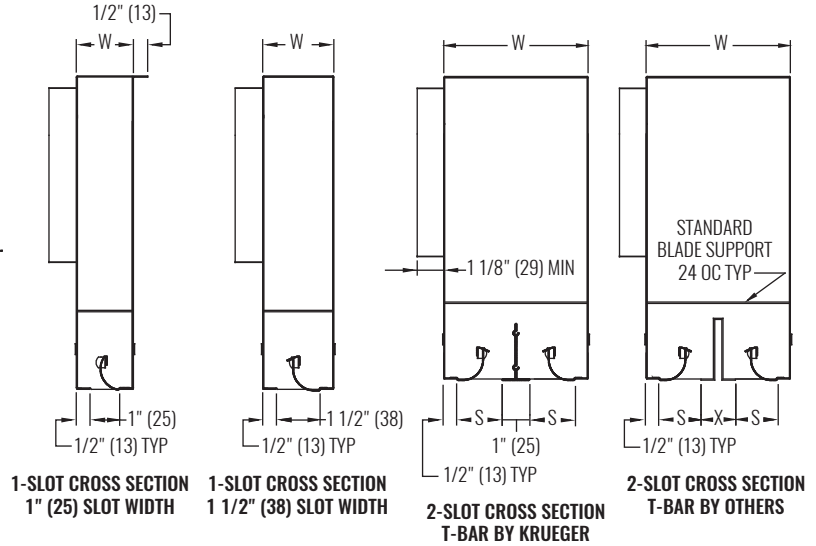
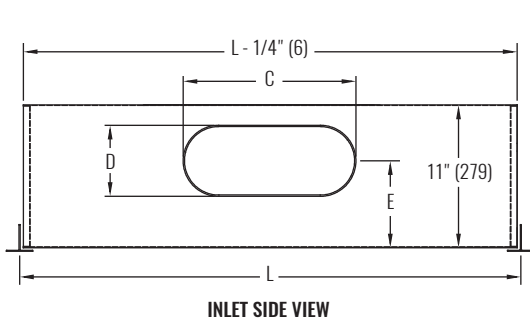


# PTBSS / PTBSSFB

Plenum Slot Diffuser, Fixed Blade, Field/Factory Installed



## DIMENSIONAL DATA



DIMENSIONS				
S	L	2-SLOT		
		W	W	X
1" (25)	24" (610)	2" (51)	4" (102)	1" (25)
	36" (914)			
	48" (1219)			
	60" (1524)			
1 1/2" (38)	24" (610)	2 1/2" (64)	5 1/4" (133)	1 1/4" (32)
	36" (914)			
	48" (1219)			
	60" (1524)			

DIMENSIONS				
INLET	C	D	E	L
5" (127) ROUND	4 7/8" (124)	4 7/8" (124)	6 3/16" (157)	24" (610) - 36" (914)
6" (152) OVAL	6 1/4" (159)	5 1/4" (133)	6 3/8" (162)	24" (610) - 60" (1524)
8" (203) OVAL	9 3/8" (238)	5 1/4" (133)	6 3/8" (162)	24" (610) - 60" (1524)
10" (254) OVAL	12 1/2" (318)	5 1/4" (133)	6 3/8" (162)	24" (610) - 60" (1524)
12" (305) OVAL	15 9/16" (395)	5 1/4" (133)	6 3/8" (162)	48" (1219) - 60" (1524)

NOTES: Dimensions in parentheses are millimeters (mm). Max blade length is 24". Longer units will have multiple blades.

## PERFORMANCE AND DESIGN DATA

SIZE			PERFORMANCE - HORIZONTAL THROW, 48" UNIT LENGTH				DESIGN		
SLOT WIDTH	SLOT QTY	NOMINAL INLET	NC (< 25)		NC (25 - 40)		CFM @ NC=30	SPACING @ 0.6 CFM/sf (ft)	MINIMUM CFM/sf
			CFM	THROW (ft)	CFM	THROW (ft)			
1"	1	8"	100 - 180	25 - 34	190 - 315	35 - 45	220	31	0.30
1"	1	10"	100 - 190	25 - 35	200 - 360	36 - 48	235	33	0.30
1"	1	12"	120 - 220	28 - 38	230 - 380	39 - 50	270	38	0.30
1"	2	8"	170 - 300	33 - 44	320 - 545	46 - 59	375	52	0.30
1"	2	10"	175 - 320	34 - 46	340 - 588	47 - 62	400	56	0.30
1"	2	12"	200 - 370	36 - 49	380 - 660	50 - 65	450	63	0.30
1.5"	1	10"	110 - 190	15 - 21	205 - 425	22 - 32	250	35	0.30
1.5"	1	12"	120 - 240	17 - 24	260 - 560	25 - 37	330	46	0.30
1.5"	2	8"	120 - 225	11 - 22	245 - 540	24 - 36	300	42	0.30
1.5"	2	10"	130 - 265	13 - 25	290 - 610	26 - 38	360	50	0.30
1.5"	2	12"	150 - 345	15 - 29	370 - 810	30 - 44	450	63	0.30

NOTES: Information shown is abbreviated. See website for complete information. Dimensions in parentheses are millimeters (mm). ADPI based on 4ft length units and 8ft gap between ends of diffusers. Controlled zone is 12ft wide by indicated separation distance. Data shown is 1-way throw for 1 slot and 2-way throw for 2 slot. Unless otherwise noted, throw value ranges provided are for a horizontal discharge air pattern at isothermal conditions and a terminal velocity of 50 FPM (0.25 m/s). NC ranges are based on octave band 2 - 7 sound power levels minus a room absorption of 10dB, re 10<sup>-12</sup> Watts. Data was obtained from tests conducted in accordance with ANSI/ASHRAE Standard 70, ISO Standard 5219, and ISO Standard 3741.

© Copyright Krueger 2018