

MODEL

- PFTBS - Steel, fire rated plenum slot supply diffuser

FEATURES

- Combination slot diffuser with plenum for lay-in T-bar ceiling systems
- UL 263 classified assembly which incorporates a 3-hour rated fire damper
- Fixed steel pattern controllers
- 1-way (1-slot) or 2-way (2-slot) fixed horizontal discharge air patterns
- Double metal thickness at slot face for rigidity and straightness

PLENUM INLET SIZES

- Round: 5" ¹, 6", 7", 8" ²
- Oval: 10", 12"

SLOTS

- Slot Quantity: 1, 2 ³
- Slot Width: 3/4", 1", 1 1/2" ³
- Slot Length: 24", 36", 48"

COMPATIBLE OPTIONS AND ACCESSORIES

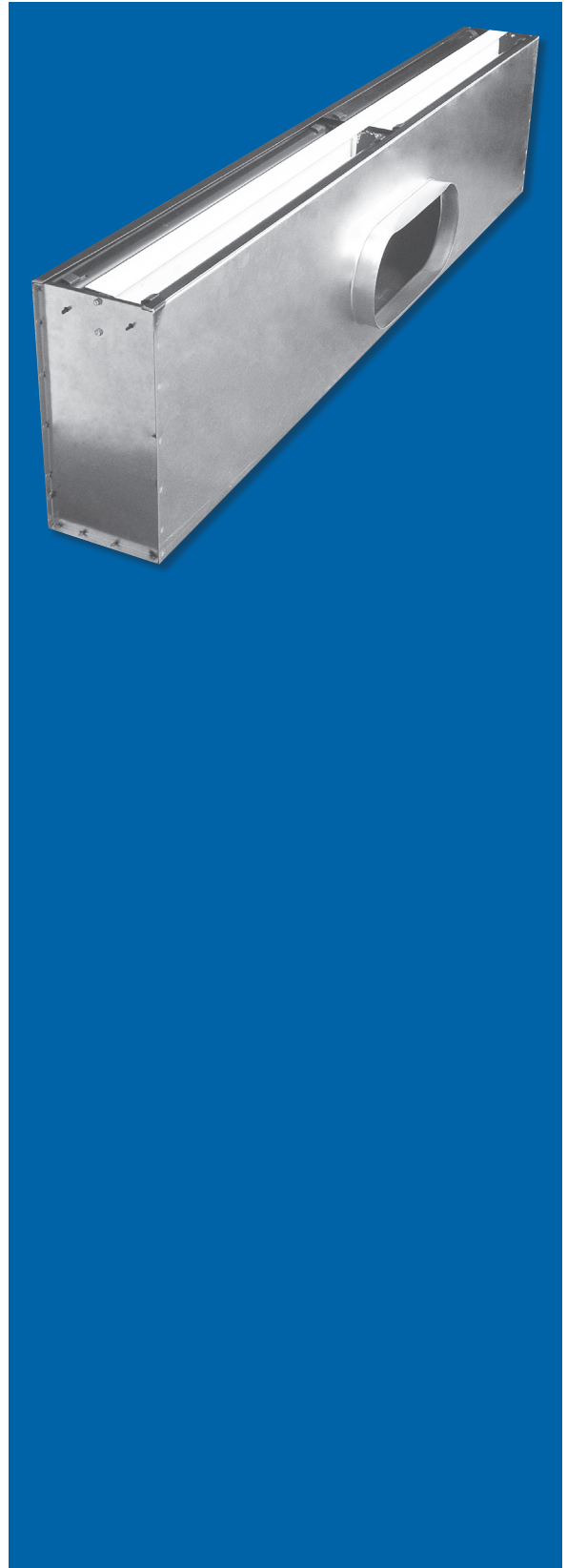
- Factory installed T-bars

NOTES: Check allowance of options and accessories with local fire codes.

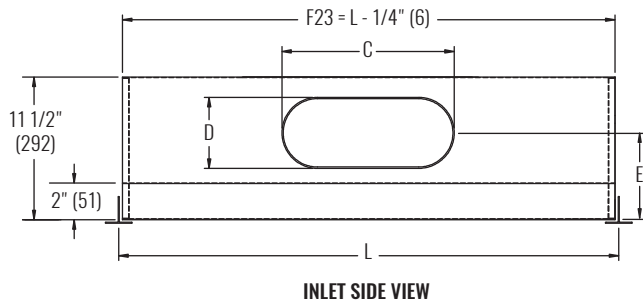
¹ 5" round inlet not available on 48" length.

² 12" oval inlet only available on 48" length.

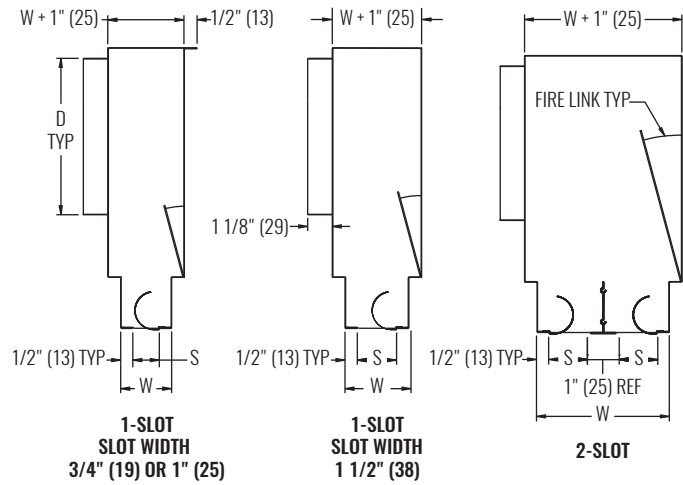
³ 2-slot, 1 1/2" slot width is not available with UL rating.



DIMENSIONAL DATA



DIMENSIONS				
INLET	C	D	E	L
5" (127) ROUND	4 7/8" (124)	4 7/8" (124)	7 7/8" (200)	24" (610), 36" (914)
6" (152) ROUND	5 7/8" (149)	5 7/8" (149)	7 7/8" (200)	24" (610), 36" (914), 60" (1524)
7" (178) ROUND	6 7/8" (175)	6 7/8" (175)	7 7/8" (200)	24" (610), 36" (914), 60" (1524)
8" (203) ROUND	7 7/8" (200)	7 7/8" (200)	7 7/8" (200)	24" (610), 36" (914), 60" (1524)
10" (254) OVAL	12 1/2" (318)	5 1/4" (133)	7 7/8" (200)	24" (610), 36" (914)
12" (305) OVAL	14 1/8" (359)	7 7/8" (200)	6 1/4" (159)	48" (1219)



DIMENSIONS		
S	1-SLOT	2-SLOT
	W	W
3/4" (19)	1 3/4" (44)	3 1/2" (89)
1" (25)	2" (51)	4" (102)
1 1/2" (38)	2 1/2" (64)	5" (127) ¹



PERFORMANCE AND DESIGN DATA

SIZE			PERFORMANCE - HORIZONTAL THROW, 48" UNIT LENGTH				DESIGN		
SLOT WIDTH	SLOT QTY	NOMINAL INLET	NC (< 25)		NC (25 - 40)		CFM @ NC=30	SPACING @ 0.6 CFM/sf (ft)	MINIMUM CFM/sf
			CFM	THROW (ft)	CFM	THROW (ft)			
1"	1	6"	80 - 155	22 - 32	170 - 305	33 - 44	200	28	0.3
1"	1	8"	100 - 180	25 - 34	196 - 340	36 - 47	220	31	0.3
1"	1	10"	100 - 190	25 - 35	205 - 357	36 - 48	235	33	0.3
1"	1	12"	120 - 210	28 - 37	220 - 406	38 - 51	270	38	0.3
1"	2	6"	150 - 270	29 - 42	294 - 510	44 - 57	350	49	0.3
1"	2	8"	170 - 300	33 - 44	316 - 560	45 - 60	375	52	0.3
1"	2	10"	175 - 320	34 - 46	340 - 590	47 - 62	400	56	0.3
1"	2	12"	200 - 350	36 - 48	370 - 650	49 - 65	450	63	0.3
1.5"	1	6"	75 - 135	11 - 18	145 - 285	19 - 26	180	25	0.3
1.5"	1	8"	90 - 165	13 - 19	180 - 360	21 - 30	130	18	0.3
1.5"	1	10"	110 - 185	15 - 21	200 - 390	22 - 31	250	35	0.3
1.5"	1	12"	140 - 238	18 - 24	260 - 500	25 - 35	330	46	0.3

NOTES: Information shown is abbreviated. See website for complete information. Dimensions in parentheses are millimeters (mm). ADPI based on 4ft length units and 8ft gap between ends of diffusers. Controlled zone is 12ft wide by indicated separation distance. Data shown is 1-way throw for 1 slot and 2-way throw for 2 slot. Unless otherwise noted, throw value ranges provided are for a horizontal discharge air pattern at isothermal conditions and a terminal velocity of 50 FPM (0.25 m/s). NC ranges are based on octave band 2 - 7 sound power levels minus a room absorption of 10dB, re 10⁻¹² Watts. Data was obtained from tests conducted in accordance with ANSI/ASHRAE Standard 70, ISO Standard 5219, and ISO Standard 3741.