

**MODEL**

- PTBSCDB - Steel plenum slot supply diffuser with fixed aluminum curved blades and downblow
- PTBSRCDB - Steel plenum slot supply/return combination diffuser with fixed aluminum curved blades and downblow

**FEATURES**

- Combination slot diffuser with plenum for lay-in T-bar ceiling systems
- Supply combines fixed steel blades for horizontal throw and center downblow portion with adjustable ice tong blades for vertical throw
- Combination supply / return (model PTBSRCDB)

**PLENUM INLET SIZES**

- Oval: 6" - 10" (2" increments)<sup>1</sup>

**SLOTS**

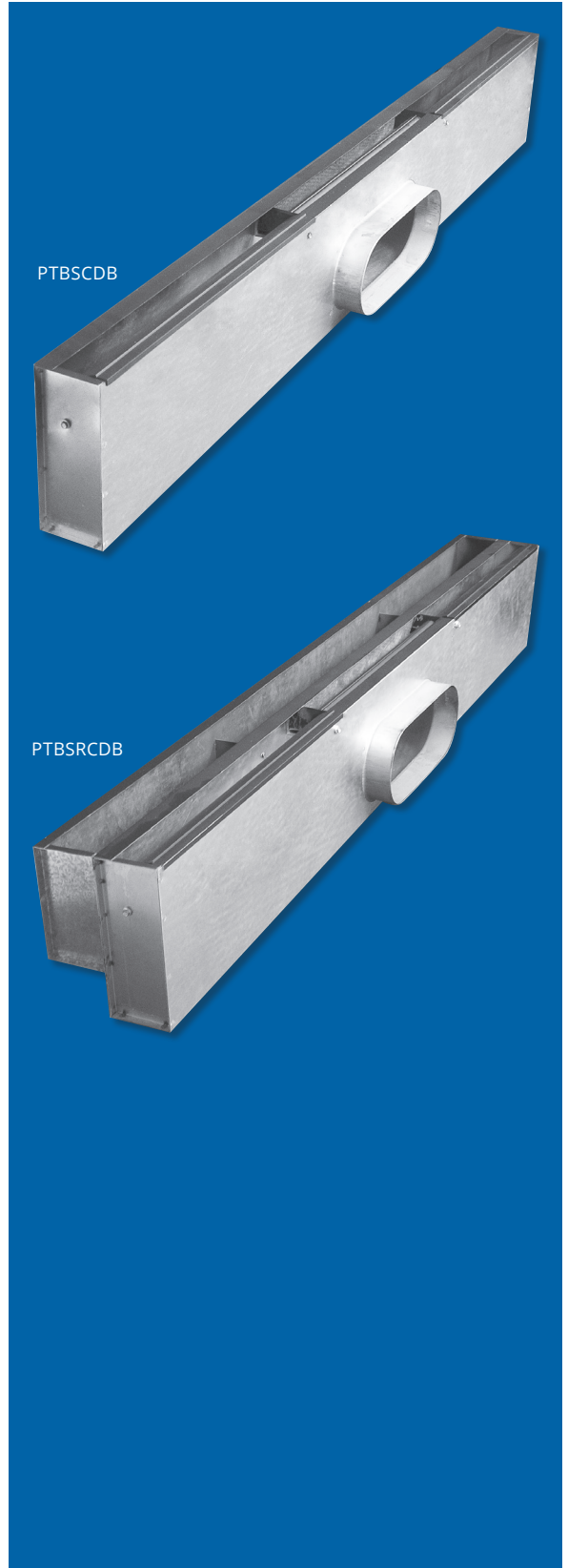
- Slot Quantity: 1 (supply), 2 (supply/return combination)
- Slot Width: 3/4" (supply), 2" (return)
- Slot Length: 24", 36", 48", 60"
- Downblow : 8", 12", 15", 18"

**COMPATIBLE OPTIONS AND ACCESSORIES**

- HCFPTBSCDB / HCFPTBSRCDB - Plaster frame
- Various insulation options

**NOTES:**

- <sup>1</sup> 10" oval inlet not available with 24" slot length.

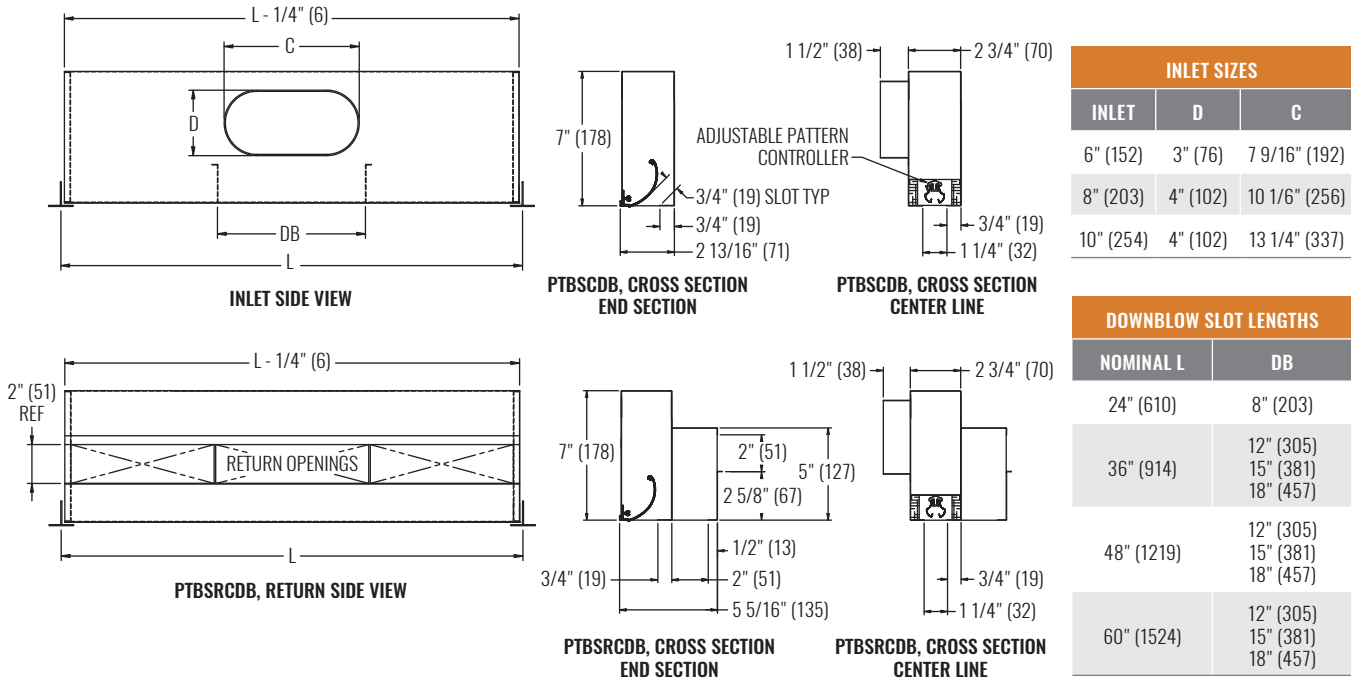


# PTBSCDB / PTBSRCDB

Plenum Slot Diffuser, Fixed Blade, Downblow



## DIMENSIONAL DATA



NOTES: Dimensions in parentheses are millimeters (mm).

## PERFORMANCE AND DESIGN DATA

SIZE		PERFORMANCE - 48" LENGTH, 1-SLOT, 3/4" SLOT WIDTH, 1-WAY THROW						DESIGN		
NOMINAL INLET	DOWNBLOW	NC (< 25)			NC (25 - 40)			CFM @ NC=30	SPACING @ 0.6 CFM/sf (ft)	MINIMUM CFM/sf
		CFM	HORIZONTAL THROW (ft)	VERTICAL THROW (ft)	CFM	HORIZONTAL THROW (ft)	VERTICAL THROW (ft)			
6"	12"	80 - 140	15 - 26	4 - 6	170 - 260	29 - 36	7 - 9	180	25	0.30
8"	12"	80 - 160	15 - 28	4 - 7	200 - 300	31 - 37	9 - 10	210	29	0.30
10"	12"	80 - 170	15 - 29	4 - 7	215 - 350	32 - 41	9 - 11	240	33	0.30
6"	15"	80 - 150	15 - 26	4 - 7	185 - 275	29 - 34	8 - 9	180	25	0.30
8"	15"	80 - 160	15 - 27	4 - 7	200 - 320	30 - 38	9 - 11	210	29	0.30
10"	15"	80 - 180	15 - 28	4 - 8	210 - 360	31 - 39	9 - 12	240	33	0.30
6"	18"	80 - 160	14 - 25	4 - 7	190 - 300	27 - 34	8 - 9	210	29	0.30
8"	18"	80 - 190	14 - 27	4 - 8	215 - 350	30 - 38	9 - 11	240	33	0.30
10"	18"	80 - 210	14 - 29	4 - 8	230 - 410	31 - 41	9 - 12	260	36	0.30

NOTES: Information shown is abbreviated. See website for complete information. Dimensions in parentheses are millimeters (mm). Units are typically installed at the perimeter. ADPI based on 8ft gap between ends of diffusers, horizontal discharge away from window. Controlled zone is 12 ft wide by indicated separation distance. Unless otherwise noted, throw value ranges provided are for a horizontal discharge air pattern at isothermal conditions and a terminal velocity of 50 FPM (0.25 m/s). NC ranges are based on octave band 2 - 7 sound power levels minus a room absorption of 10dB, re 10<sup>-12</sup> Watts. Data was obtained from tests conducted in accordance with ANSI/ASHRAE Standard 70, ISO Standard 5219, and ISO Standard 3741.

© Copyright Krueger 2018