

MODEL

- PTBR - Plenum slot return, non-ducted, steel construction

FEATURES

- Combination return slot diffuser with plenum for lay-in T-bar ceiling systems
- Double metal thickness at slot face for rigidity and straightness

SLOTS

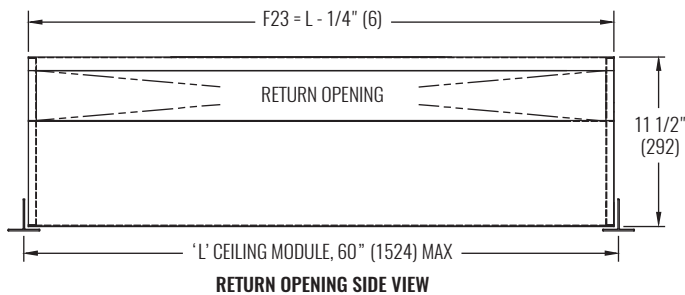
- Slots Quantity: 1 - 4
- Slot Width: 3/4", 1", 1 1/2"
- Length: 24", 36", 48", 60"

COMPATIBLE OPTIONS AND ACCESSORIES

- Internal insulation
- HCFPTBR - Plaster frame
- Center notch and mounting tab mounting options
- Factory installed T-bar options

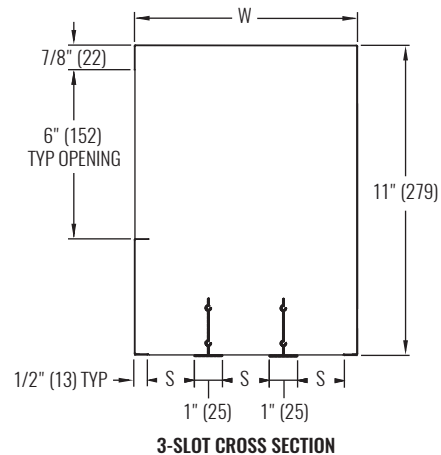
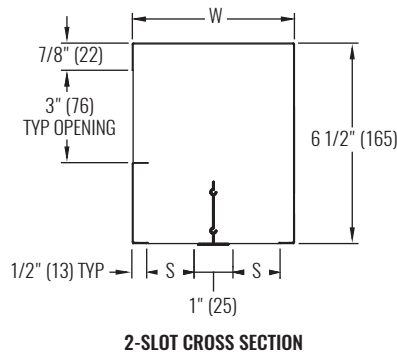
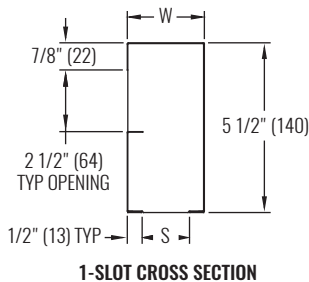


DIMENSIONAL DATA



INLET SIZES				
S	1-SLOT	2-SLOT	3-SLOT	4-SLOT
	W	W	W	W
3/4" (19)	1 3/4" (44)	3 1/2" (89)	5 1/4" (133)	7" (178)
1" (25)	2" (51)	4" (102)	6" (152)	8" (203)
1 1/2" (38)	2 1/2" (64)	5" (127)	7 1/2" (191)	10" (254)

NOTES: Dimensions in parentheses are millimeters (mm).



PERFORMANCE DATA

SIZE			PERFORMANCE	
SLOT WIDTH	SLOT QUANTITY	UNIT LENGTH	NC (< 25)	NC (25 - 40)
			CFM	CFM
3/4"	1	24"	40 - 115	125 - 190
3/4"	2	24"	90 - 210	225 - 330
3/4"	2	48"	180 - 390	405 - 480
1"	1	24"	60 - 150	165 - 270
1"	1	48"	120 - 250	270 - 480
1"	2	24"	120 - 260	275 - 490
1"	2	48"	240 - 440	460 - 900
1"	2	60"	280 - 670	685 - 1090
1 1/2"	2	24"	180 - 435	450 - 720
1 1/2"	2	48"	360 - 800	840 - 1320
1 1/2"	2	60"	400 - 950	1000 - 1600

NOTES: Information shown is abbreviated. See website for complete information. Dimensions in parentheses are millimeters (mm). Unless otherwise noted, throw value ranges provided are for a horizontal discharge air pattern at isothermal conditions and a terminal velocity of 50 FPM (0.25 m/s). NC ranges are based on octave band 2 - 7 sound power levels minus a room absorption of 10dB, re 10⁻¹² Watts. Data was obtained from tests conducted in accordance with ANSI/ASHRAE Standard 70, ISO Standard 5219, and ISO Standard 3741.