

**MODEL**

- RM4PLQ - Steel round diffuser with an anti-smudge cone and aluminum plaque

**FEATURES**

- Horizontal and vertical air distribution; units ship in vertical position
- Core is easily removable from face of diffuser
- 360° discharge air pattern
- Excellent performance in variable air volume systems
- Designed for exposed duct or hard ceiling applications
- Safety cable included

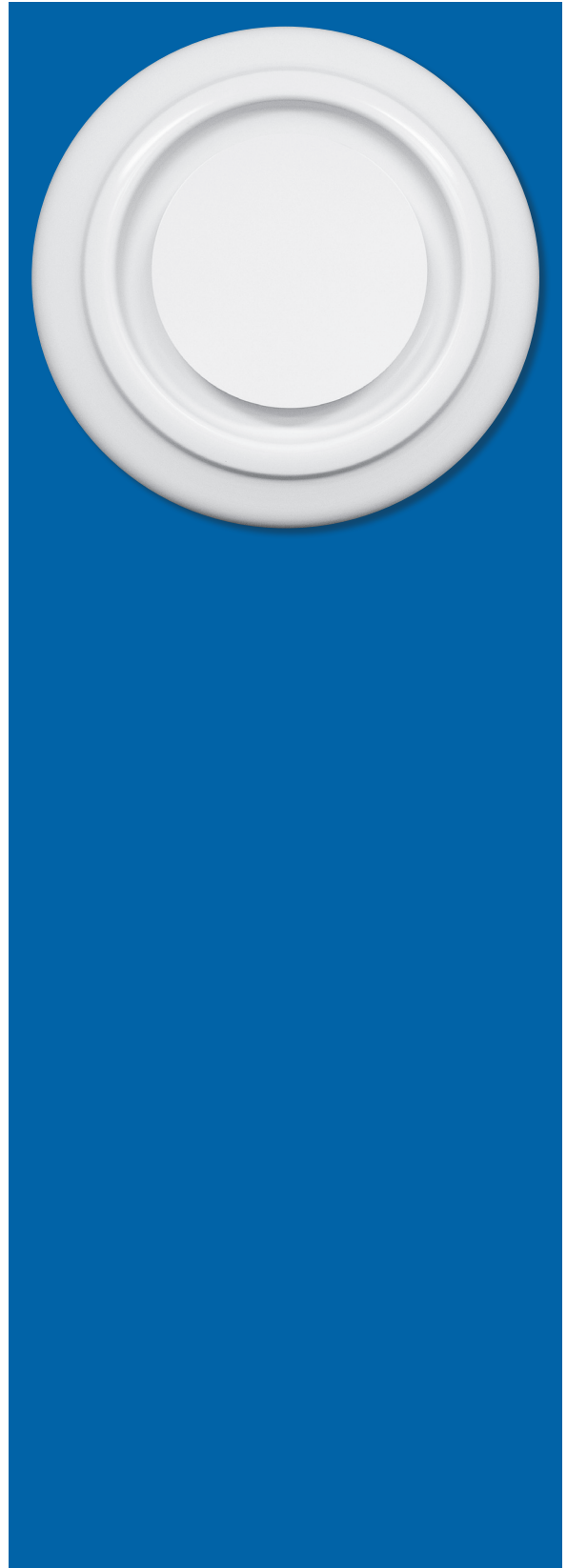
**INLET SIZES**

- Round: 6" - 14" (2" increments)

**COMPATIBLE OPTIONS AND ACCESSORIES**

- PR10 - Steel, radial opposed blade damper, 12" max (neck mount)
- PRN100 - Steel, radial fan damper (neck mount)
- PRD10 - Steel, radial opposed blade damper (duct mount)
- PRD100 - Steel, radial fan damper (duct mount)
- PR12 - Steel, butterfly bladed damper (duct mount)
- RSG15 - Steel, round straightening grid (duct mount)
- PRSG15 - Steel, round straightening grid
- OBDDM - Steel, square or rectangular damper (duct mount)
- EX8 - Steel duct extractor with 1" blade spacing (duct mount)
- EX88 - Steel duct extractor with 2" blade spacing (duct mount)

NOTES: Not all options available with all configurations or one another. Some options must be ordered separately. See website for complete compatibility.

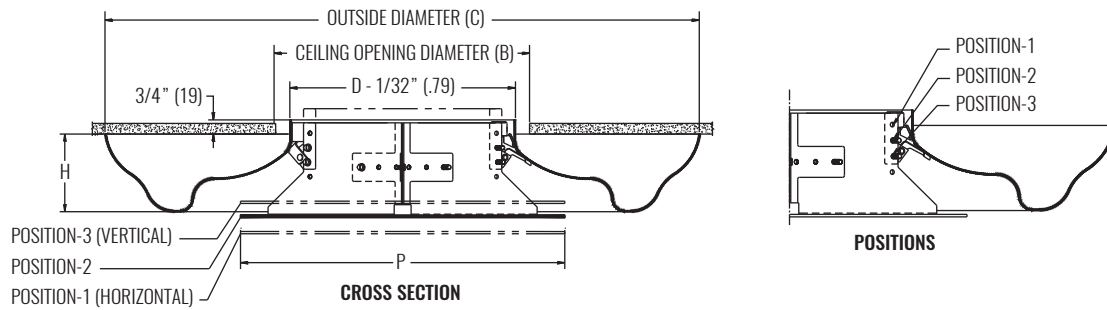


# RM4PLQ

Round Diffuser with Plaque Face, Anti-smudge Cone



## DIMENSIONAL DATA



DIMENSIONS				
NOMINAL DUCT DIAMETER	B	C	H	P
6"	7" (178)	17 3/8" (441)	2" (51)	6" (9)
8"	9" (229)	23 1/4" (591)	2 11/16" (68)	12" (305)
10"	11" (279)	29" (737)	3 1/4" (83)	15" (381)
12"	13" (330)	34 7/8" (886)	4" (102)	18" (457)
14"	15" (381)	40 5/8" (1032)	4 1/2" (114)	21" (533)

NOTES: Dimensions in parentheses are millimeters (mm).

## PERFORMANCE AND DESIGN DATA

SIZE		PERFORMANCE				DESIGN - BASED ON HORIZONTAL THROW		
NOMINAL INLET	POSITION	NC (< 25)		NC (25 - 40)		CFM @ NC-30	SPACING @ 0.6 CFM/sf (ft)	MINIMUM CFM/sf
		CFM	THROW (ft)	CFM	THROW (ft)			
HZ = HORIZONTAL DISCHARGE AIR PATTERN / VT = VERTICAL DISCHARGE AIR PATTERN								
6"	1 (HZ)	39 - 236	2 - 9	275 - 393	10 - 12	300	22	0.28
6"	3 (VT)	39 - 175	0 - 7	196 - 275	8 - 13	220	N/A	N/A
8"	1 (HZ)	70 - 380	3 - 12	419 - 625	12 - 15	450	27	0.30
8"	3 (VT)	70 - 279	1 - 12	314 - 489	14 - 21	320	N/A	N/A
10"	1 (HZ)	109 - 530	4 - 14	545 - 873	14 - 18	630	32	0.30
10"	3 (VT)	109 - 425	1 - 17	436 - 715	17 - 27	470	N/A	N/A
12"	1 (HZ)	157 - 690	4 - 16	707 - 1021	16 - 19	825	37	0.33
12"	3 (VT)	157 - 590	2 - 21	628 - 942	22 - 32	700	N/A	N/A
14"	1 (HZ)	214 - 855	5 - 18	962 - 1283	19 - 22	1030	41	0.35
14"	3 (VT)	214 - 780	3 - 25	855 - 1283	27 - 37	900	N/A	N/A

NOTES: Information shown is abbreviated. See website for complete information. Dimensions in parentheses are millimeters (mm). Throw value ranges are given for isothermal conditions, unless otherwise noted, and a terminal velocity of 50 FPM (0.25 m/s). Vertical throw provided is at 10° ΔT heating. NC ranges are based on octave band 2 - 7 sound power levels minus a room absorption of 10dB, re 10<sup>-12</sup> Watts. Data was obtained from tests conducted in accordance with ANSI/ASHRAE Standard 70, ISO Standard 5219, and ISO Standard 3741. Design spacing is recommended distance between diffusers in an open plan office based on ADPI > 80%, 9ft ceiling, and 55°F discharge at 30 NC and 0.6 CFM/sf. Minimum CFM/sf is based on recommended spacing at 80% ADPI. Design recommendations not applicable to vertical throw. "N/A" in design table denotes inapplicable situations or those which do not result in ADPI>80% and are therefore not recommended.

© Copyright Krueger 2018

DIFFUSERS | ROUND

RM4PLQ