

MODEL

- RPNRD - Round punkah nozzle with round duct adapter

FEATURES

- Aluminum construction
- Foam gasket and mounting screws included
- Directional air pattern control (70° global rotation)
- For use in duct mount applications

SIZES

- Round: 6" - 20" (2" increments) ¹

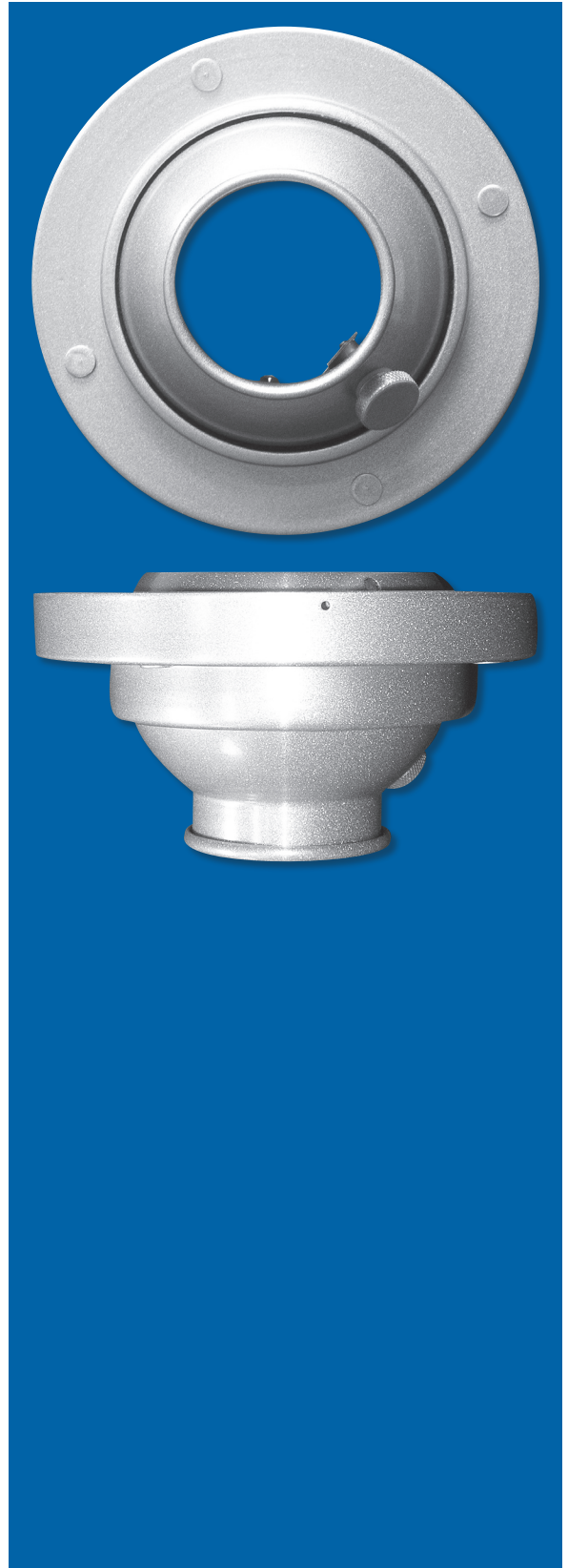
COMPATIBLE OPTIONS AND ACCESSORIES

- Aluminum aperture damper with stainless steel hardware ²

NOTES:

¹ Nominal size and duct size are not the same.

² Aperture damper must be ordered with unit; cannot be field installed.

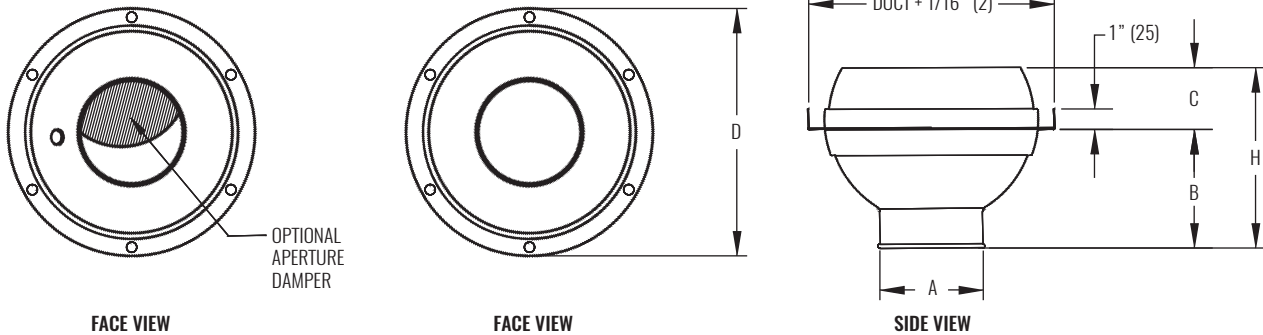


RPNRD

Punkah Nozzle, Round Duct



DIMENSIONAL DATA



NOTES: Dimensions in parentheses are millimeters (mm). See table below for dimensional references.

PERFORMANCE AND DIMENSIONAL DATA

SIZE	PERFORMANCE				DIMENSIONS				
	NC (< 25)		NC (25 - 40)		A	B	C	DUCT D	H
	CFM	THROW (ft)	CFM	THROW (ft)					
6"	59 - 137	16 - 25	147 - 216	25 - 31	3" (76)	3 1/16" (78)	1 7/16" (37)	8" (203)	4 1/2" (114)
8"	105 - 244	21 - 33	261 - 384	34 - 41	4 3/8" (111)	4 1/4" (108)	1 3/4" (44)	10" (254)	6" (152)
10"	164 - 372	27 - 40	395 - 600	42 - 51	5 3/4" (146)	5 1/2" (140)	2 7/8" (73)	12" (305)	8 3/8" (213)
12"	236 - 530	32 - 48	570 - 864	50 - 62	7 3/8" (187)	6" (152)	3" (76)	14" (356)	9" (229)
14"	321 - 725	38 - 56	770 - 1176	58 - 72	8 5/8" (219)	7 1/8" (181)	4 1/8" (105)	16" (406)	11 1/4" (286)
16"	419 - 949	43 - 65	1000 - 1535	67 - 82	9 3/4" (248)	8 1/4" (210)	4 3/4" (121)	18" (457)	13" (330)
18"	530 - 1165	48 - 71	1236 - 1854	74 - 90	10 1/2" (267)	9 1/2" (241)	4 1/4" (108)	20" (508)	13 3/4" (349)
20"	654 - 1438	54 - 79	1526 - 2289	82 - 100	12 3/8" (314)	10 7/8" (276)	4 7/8" (124)	22" (559)	15 3/4" (400)

SEE BACK SUPPLEMENT FOR DESIGN INFORMATION

NOTES: Information shown is abbreviated. See website for complete information. Dimensions in parentheses are millimeters (mm). Throw value ranges are given for free jet isothermal conditions, unless otherwise noted, and a terminal velocity of 50 FPM (0.25 m/s). NC ranges are based on octave band 2 - 7 sound power levels minus a room absorption of 10dB, re 10⁻¹² Watts. Data was obtained from tests conducted in accordance with ANSI/ASHRAE Standard 70, ISO Standard 5219, and ISO Standard 3741.

¹ Nominal size is 2" (51) smaller than the duct size to which it mounts. Example: A nominal size 10 mounts on a 12" (305) duct.