

**MODEL**

- RPNLP - Round punkah nozzle in panel

**FEATURES**

- Aluminum construction
- Foam gasket and mounting screws included
- Integral flex duct mounting ring included
- Directional air pattern control (70° global rotation)
- For use in lay-in ceiling applications

**SIZES**

- Round: 6" - 12" nominal size (2" increments)

**COMPATIBLE OPTIONS AND ACCESSORIES**

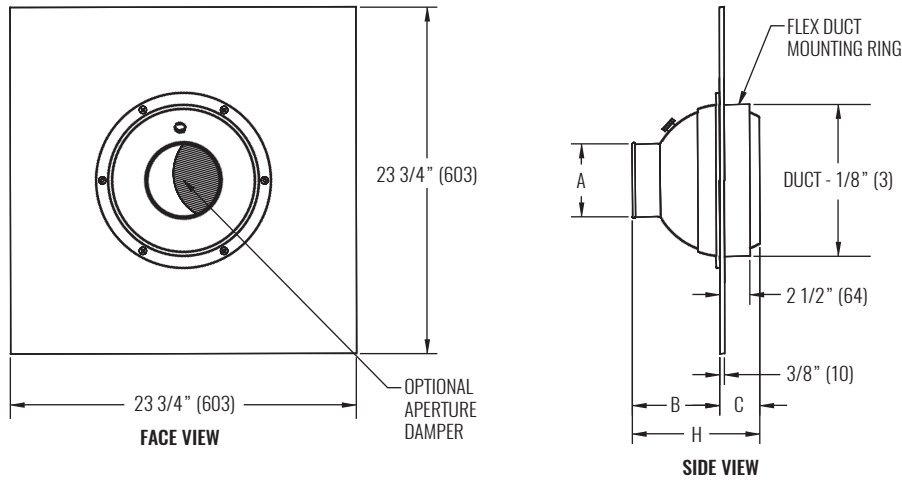
- Aluminum aperture damper with stainless steel hardware <sup>1</sup>

## NOTES:

- <sup>1</sup> Aperture damper must be ordered with unit; cannot be field installed.



## DIMENSIONAL DATA



NOTES: Dimensions in parentheses are millimeters (mm). See table below for dimensional references.

## PERFORMANCE AND DIMENSIONAL DATA

SIZE	PERFORMANCE				DIMENSIONS				
	NOMINAL	NC (< 25)		NC (25 - 40)		A	B	C	DUCT D
CFM		THROW (ft)	CFM	THROW (ft)					
6"	59 - 137	16 - 25	147 - 216	25 - 31	3" (76)	3 3/8" (86)	2 1/2" (64)	6" (152)	5 7/8" (149)
8"	105 - 244	21 - 33	261 - 384	34 - 41	4 3/8" (111)	4 9/16" (116)	2 1/2" (64)	8" (203)	7 1/16" (179)
10"	164 - 372	27 - 40	395 - 600	42 - 51	5 3/4" (146)	5 13/16" (148)	2 9/16" (65)	10" (254)	8 3/8" (213)
12"	236 - 530	32 - 48	570 - 864	50 - 62	7 3/8" (187)	6 5/16" (160)	2 11/16" (68)	12" (305)	9" (229)

SEE BACK SUPPLEMENT FOR DESIGN INFORMATION

NOTES: Information shown is abbreviated. See website for complete information. Dimensions in parentheses are millimeters (mm). Throw value ranges are given for free jet isothermal conditions, unless otherwise noted, and a terminal velocity of 50 FPM (0.25 m/s). NC ranges are based on octave band 2 - 7 sound power levels minus a room absorption of 10dB, re 10<sup>-12</sup> Watts. Data was obtained from tests conducted in accordance with ANSI/ASHRAE Standard 70, ISO Standard 5219, and ISO Standard 3741.