

MODEL

- K-JET - Jet nozzle with retaining ring
- K-JETA - Jet nozzle with retaining ring and adjustable concentric ring core with 60° directional adjustment

FEATURES

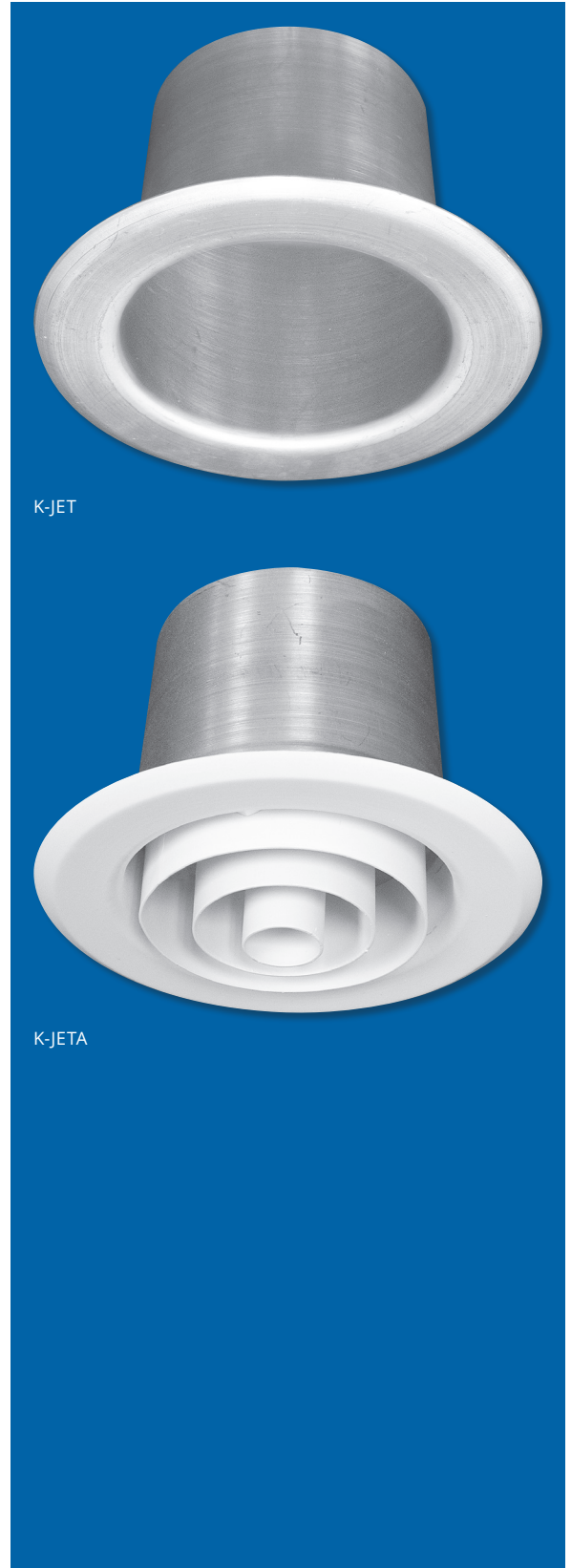
- Spun aluminum construction
- K-JETA concentric rings are steel construction
- Excellent choice for a range of applications, including new or retrofit construction, vertical/horizontal projection air systems, perimeter heating only - vertical air systems, perimeter heating/cooling - vertical air systems, and return and exhaust

DIAMETER

- K-JET - Round: 3", 4", 5", 6", 8"
- K-JETA - Round: 3", 4", 5", 6", 8", 10", 12"

COMPATIBLE OPTIONS AND ACCESSORIES

- Countersunk screw holes in the outer flange to secure the unit to ceiling or wall
- Retaining ring fastening



K-JET

K-JETA

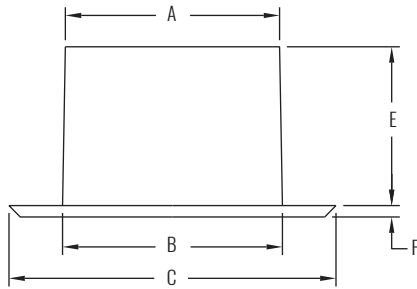
WEB SEARCH: K-JET or K-JETA

K-JET / K-JETA

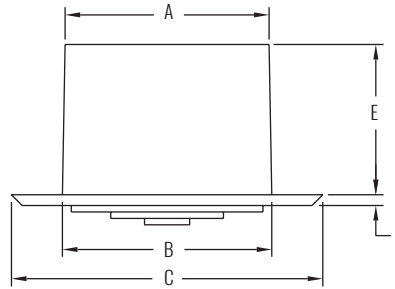
Jet Nozzles



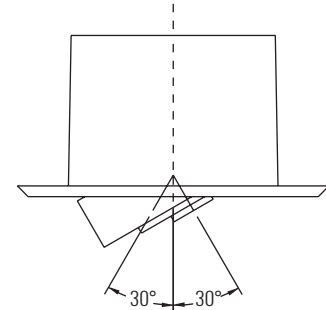
DIMENSIONAL DATA



K-JET



K-JETA



K-JETA

NOTES: Dimensions in parentheses are millimeters (mm). See table below for dimensional references.

PERFORMANCE AND DIMENSIONAL DATA

SIZE	PERFORMANCE								DIMENSIONS				
	NC (< 25)				NC (25 - 40)				A	B	C	E	F
NOMINAL	CFM	-20°ΔT VERTICAL THROW (ft)	ISOTHERMAL THROW (ft)	+20° ΔT VERTICAL THROW (ft)	CFM	-20° ΔT VERTICAL THROW (ft)	ISOTHERMAL THROW (ft)	+20° ΔT VERTICAL THROW (ft)					
MODEL: K-JET													
3"	20 - 76	7 - 18	7 - 16	7 - 13	82 - 125	19 - 24	17 - 21	14 - 17	2 3/4" (70)	3 1/4" (83)	5 1/4" (133)	3 1/2" (89)	1/4" (6)
4"	35 - 105	10 - 22	10 - 19	9 - 16	122 - 192	24 - 30	21 - 26	17 - 22	3 3/4" (95)	3 7/8" (98)	6" (152)	3 1/2" (89)	1/4" (6)
5"	55 - 147	10 - 26	10 - 23	9 - 19	164 - 245	27 - 34	24 - 30	20 - 24	4 3/4" (121)	4 7/8" (124)	7 1/4" (184)	4" (102)	1/4" (6)
6"	79 - 183	15 - 29	15 - 25	13 - 21	196 - 314	30 - 38	26 - 33	22 - 28	5 3/4" (146)	5 7/8" (149)	8 1/4" (210)	2 1/4" (57)	1/4" (6)
MODEL: K-JETA													
3"	20 - 65	7 - 17	7 - 15	7 - 13	74 - 110	19 - 22	17 - 20	14 - 16	2 3/4" (70)	3 1/4" (83)	5 1/4" (133)	3 1/2" (89)	1/4" (6)
4"	35 - 93	10 - 20	10 - 18	9 - 15	105 - 157	22 - 27	19 - 24	16 - 20	3 3/4" (95)	3 7/8" (98)	6" (152)	3 1/2" (89)	1/4" (6)
5"	41 - 120	6 - 23	6 - 21	6 - 17	136 - 204	25 - 31	22 - 27	18 - 23	4 3/4" (121)	4 7/8" (124)	7 1/4" (184)	4" (102)	1/4" (6)
6"	59 - 152	11 - 26	11 - 23	10 - 19	160 - 255	28 - 35	25 - 30	21 - 25	5 3/4" (146)	5 7/8" (149)	8 1/4" (210)	2 1/4" (57)	1/4" (6)

SEE BACK SUPPLEMENT FOR DESIGN INFORMATION

NOTES: Information shown is abbreviated. See website for complete information. Dimensions in parentheses are millimeters (mm). Throw value ranges are given for isothermal conditions, unless otherwise noted, and a terminal velocity of 50 FPM (0.25 m/s). NC ranges are based on octave band 2 - 7 sound power levels minus a room absorption of 10dB, re 10⁻¹² Watts. Data was obtained from tests conducted in accordance with ANSI/ASHRAE Standard 70, ISO Standard 5219, and ISO Standard 3741.