

MODEL

- CRN - Steel concentric ring nozzle for surface mount
- 5CRN - Aluminum concentric ring nozzle for surface mount

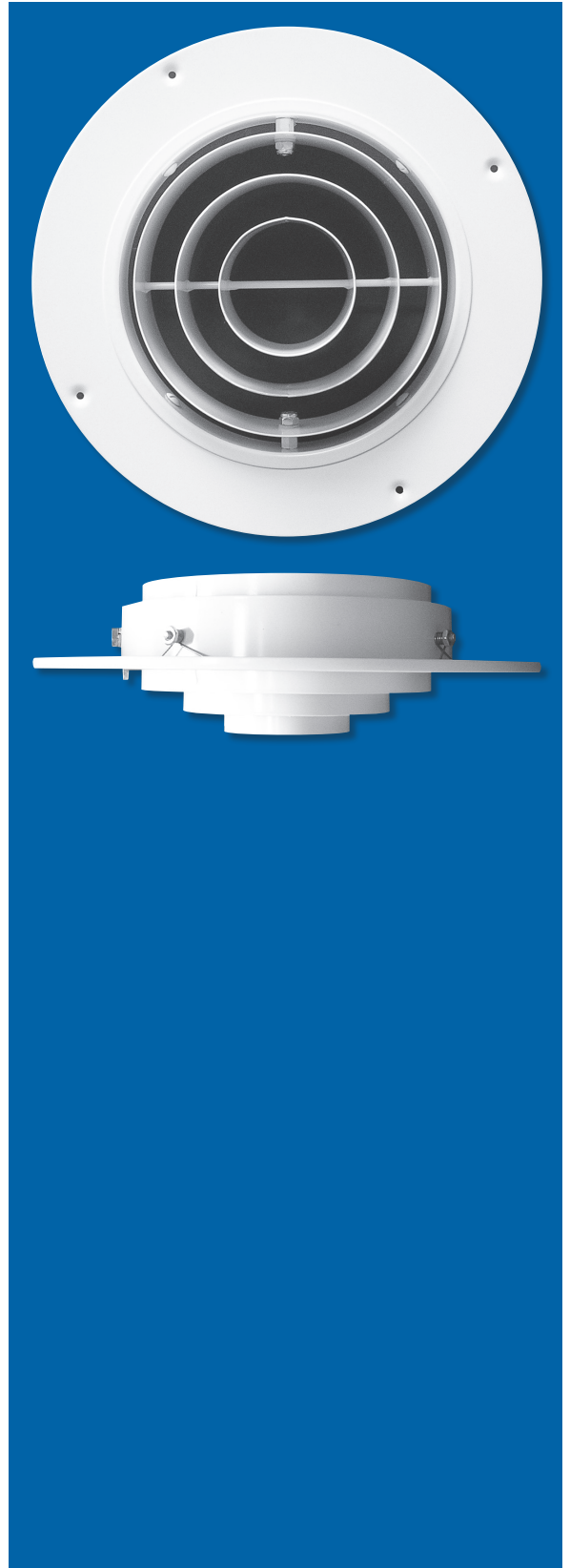
FEATURES

- Steel or aluminum construction
- Directional air pattern control (60° axial adjustment with 360° of rotation)
- For use in surface mount applications

SIZES

- Round: 4" - 24" (2" increments)¹

NOTES: ¹ Nominal size and duct size are not the same.

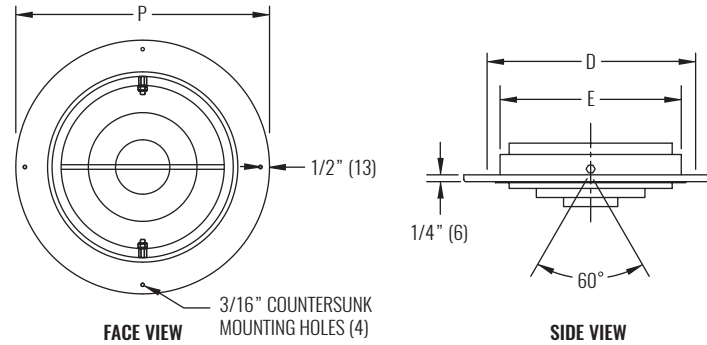


CRN / 5CRN

Concentric Ring, Surface Mount



DIMENSIONAL DATA



NOTES: Dimensions in parentheses are millimeters (mm). See table below for dimensional references.

PERFORMANCE AND DIMENSIONAL DATA

SIZE	PERFORMANCE								DIMENSIONS			
	NC (< 25)				NC (25 - 40)				ELEMENT E	DUCT D	P	NUMBER OF RINGS
NOMINAL ¹	CFM	-20°ΔT VERTICAL THROW (ft)	ISOTHERMAL THROW (ft)	+20° ΔT VERTICAL THROW (ft)	CFM	-20° ΔT VERTICAL THROW (ft)	ISOTHERMAL THROW (ft)	+20° ΔT VERTICAL THROW (ft)				
4"	22 - 122	6 - 24	6 - 21	6 - 17	131 - 200	25 - 30	22 - 27	18 - 22	4" (102)	6" (152)	8" (203)	3
6"	49 - 249	9 - 33	9 - 29	8 - 24	264 - 421	35 - 43	30 - 38	25 - 32	6" (152)	8" (203)	10" (254)	3
8"	87 - 407	12 - 43	12 - 38	11 - 31	420 - 664	44 - 55	39 - 49	32 - 40	8" (203)	10" (254)	12" (305)	3
10"	136 - 590	15 - 52	15 - 46	14 - 38	614 - 972	53 - 67	47 - 59	39 - 49	10" (254)	12" (305)	14" (356)	3
12"	196 - 785	18 - 60	18 - 53	17 - 44	810 - 1327	61 - 78	54 - 69	44 - 57	12" (305)	14" (356)	16" (406)	3
14"	267 - 1069	21 - 70	21 - 62	20 - 51	1107 - 1604	71 - 86	63 - 76	52 - 62	14" (356)	16" (406)	18" (457)	4
16"	349 - 1308	25 - 76	25 - 68	22 - 56	1396 - 2094	80 - 98	71 - 86	58 - 71	16" (406)	18" (457)	20" (508)	4
18"	442 - 1611	28 - 84	28 - 75	25 - 62	1767 - 2651	90 - 110	79 - 97	65 - 80	18" (457)	20" (508)	22" (559)	4
20"	545 - 1939	31 - 94	31 - 83	28 - 69	2060 - 3272	97 - 123	85 - 108	71 - 89	20" (508)	22" (559)	24" (610)	5
22"	660 - 1980	34 - 95	34 - 84	31 - 69	2640 - 3300	110 - 123	97 - 108	80 - 89	22" (559)	24" (610)	26" (660)	5
24"	785 - 2356	37 - 104	37 - 92	34 - 76	3142 - 3927	120 - 134	106 - 118	87 - 98	24" (610)	26" (660)	28" (711)	5

SEE BACK SUPPLEMENT FOR DESIGN INFORMATION

NOTES: Information shown is abbreviated. See website for complete information. Dimensions in parentheses are millimeters (mm). Throw value ranges are given for isothermal conditions, unless otherwise noted, and a terminal velocity of 50 FPM (0.25 m/s). NC ranges are based on octave band 2 - 7 sound power levels minus a room absorption of 10dB, re 10⁻¹² Watts. Data was obtained from tests conducted in accordance with ANSI/ASHRAE Standard 70, ISO Standard 5219, and ISO Standard 3741.

¹ Nominal size is 2" (51) smaller than the duct size to which it mounts. Example: A nominal size 10 mounts on a 12" (305) duct.