

MODEL

- CRNLP - Steel concentric ring nozzle, lay-in T-bar
- 5CRNLP - Aluminum concentric ring nozzle, lay-in T-bar

FEATURES

- Steel (CRNLP) or aluminum (5CRNLP) construction
- Directional air pattern control (60° axial adjustment with 360° of rotation)
- Lay-in T-bar, 24"x24" panel

SIZES

- Round: 6" - 14" (2" increments) ¹

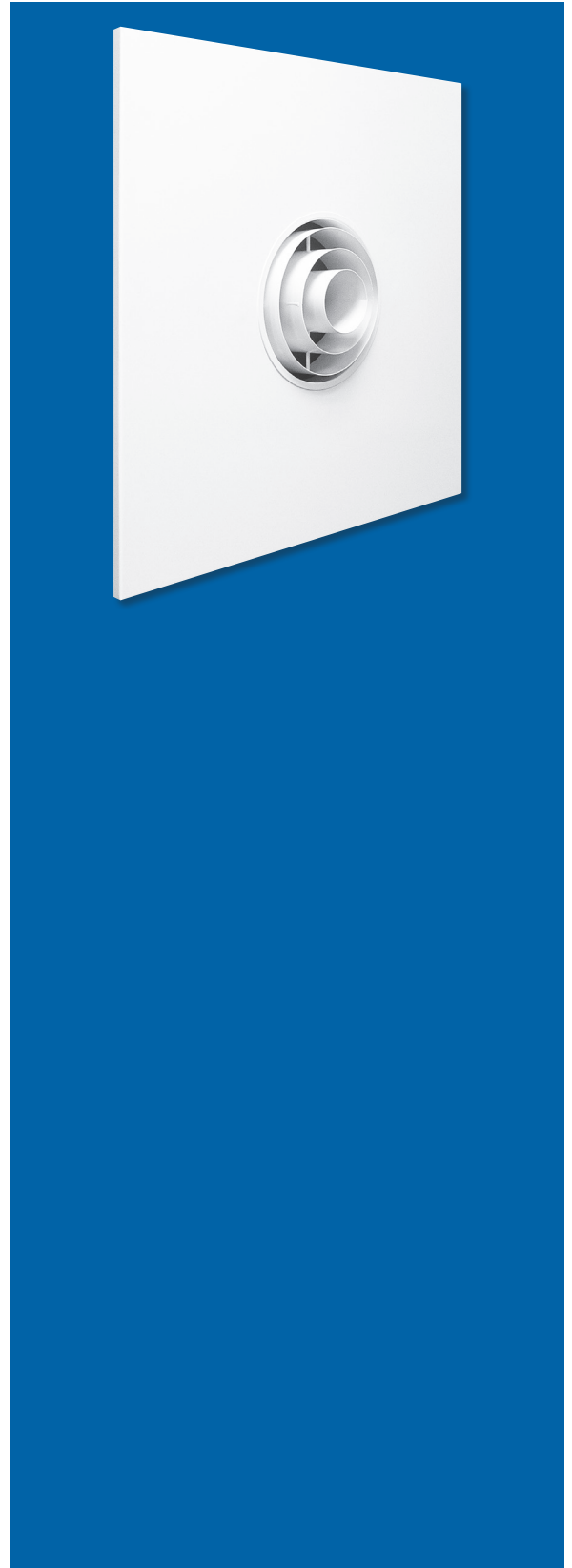
PANEL SIZES

- 24"x24"

FRAME STYLES

- F23 - Lay-in T-bar

NOTE: ¹ Nominal size and duct size are not the same.

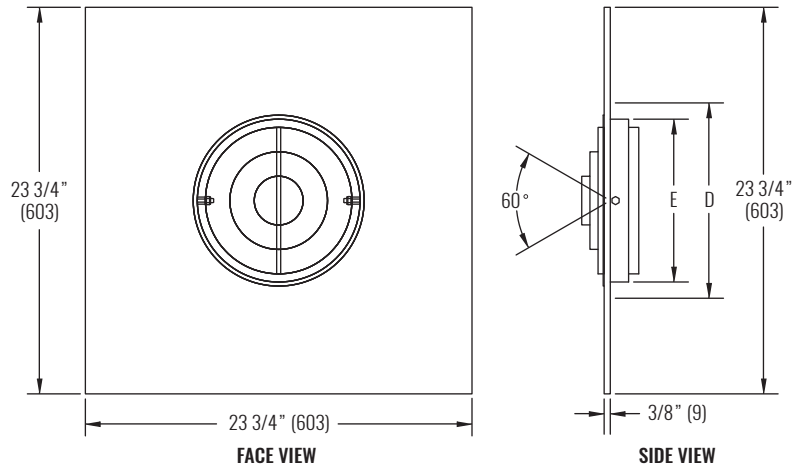


CRNLP / 5CRNLP

Concentric Ring, Lay-in T-bar



DIMENSIONAL DATA



NOTES: Dimensions in parentheses are millimeters (mm). See table below for dimensional references.

PERFORMANCE AND DIMENSIONAL DATA

SIZE	PERFORMANCE								DIMENSIONS		
	NC (< 25)				NC (25 - 40)				ELEMENT E	DUCT D	NUMBER OF RINGS
NOMINAL ¹	CFM	-20°ΔT VERTICAL THROW (ft)	ISOTHERMAL THROW (ft)	+20° ΔT VERTICAL THROW (ft)	CFM	-20° ΔT VERTICAL THROW (ft)	ISOTHERMAL THROW (ft)	+20° ΔT VERTICAL THROW (ft)			
6"	49 - 249	9 - 33	9 - 29	8 - 24	264 - 421	35 - 43	30 - 38	25 - 32	6" (152)	8" (203)	3
8"	87 - 407	12 - 43	12 - 38	11 - 31	420 - 664	44 - 55	39 - 49	32 - 40	8" (203)	10" (254)	3
10"	136 - 590	15 - 52	15 - 46	14 - 38	614 - 972	53 - 67	47 - 59	39 - 49	10" (254)	12" (305)	3
12"	196 - 785	18 - 60	18 - 53	17 - 44	810 - 1327	61 - 78	54 - 69	44 - 57	12" (305)	14" (356)	3
14"	267 - 1069	21 - 70	21 - 62	20 - 51	1107 - 1604	71 - 86	63 - 76	52 - 62	14" (356)	16" (406)	4

SEE BACK SUPPLEMENT FOR DESIGN INFORMATION

NOTES: Information shown is abbreviated. See website for complete information. Dimensions in parentheses are millimeters (mm). Throw value ranges are given for isothermal conditions, unless otherwise noted, and a terminal velocity of 50 FPM (0.25 m/s). NC ranges are based on octave band 2 - 7 sound power levels minus a room absorption of 10dB, re 10⁻¹² Watts. Data was obtained from tests conducted in accordance with ANSI/ASHRAE Standard 70, ISO Standard 5219, and ISO Standard 3741.

¹ Nominal size is 2" (51) smaller than the duct size to which it mounts. Example: A nominal size 10 mounts on a 12" (305) duct.