

**MODEL**

- R580RR - Aluminum, round single deflection airfoil blade grille with round duct reducer
- R5880RR - Aluminum, round double deflection airfoil blade grille with round duct reducer

**FEATURES**

- Aluminum construction
- 1" blade spacing
- Easy finger tip adjustment
- For use in exposed duct mount applications
- Frame slides cleanly into end of exposed duct

**GRILLE SIZES**

- Round: 6" - 24" (2" increments)



GRILLES | ROUND

R580RR / R5880RR

**WEB SEARCH:** R580RR or R5880RR

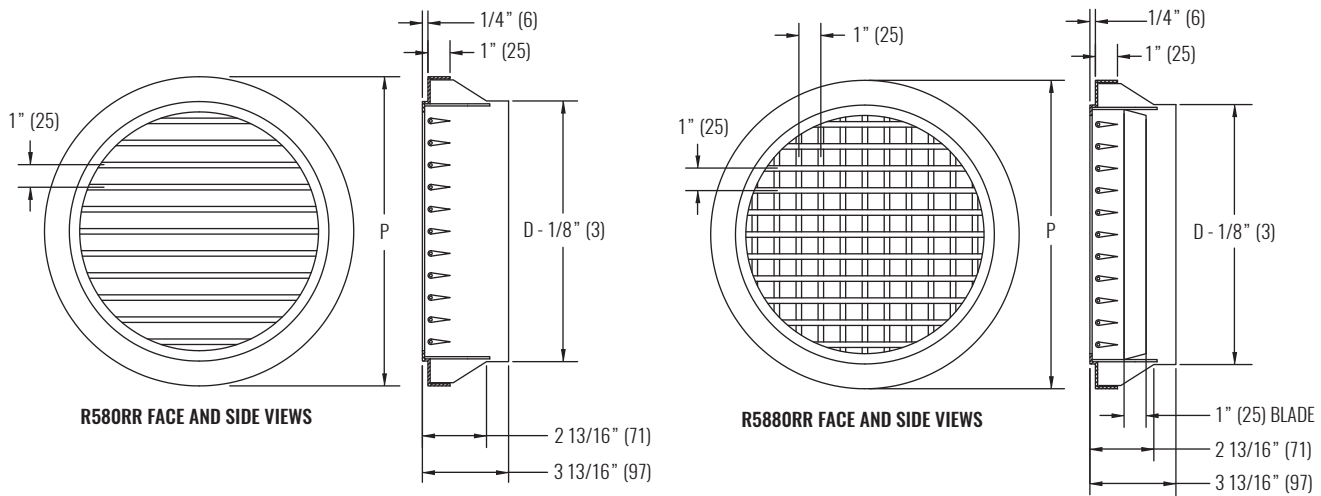
# R580RR / R5880RR

Round Single and Double Deflection Grilles, Round Duct Reducer



GRILLES | ROUND

## DIMENSIONAL DATA



NOTES: Dimensions in parentheses are millimeters (mm). See table below for dimensional references.

## PERFORMANCE AND DIMENSIONAL DATA

SIZE	PERFORMANCE								DIMENSIONS	
	NC (< 25)				NC (25 - 40)				DUCT D	P
NOMINAL	CFM	0° THROW (ft)	15° THROW (ft)	30° THROW (ft)	CFM	0° THROW (ft)	15° THROW (ft)	30° THROW (ft)		
6"	90 - 228	20 - 31	18 - 28	16 - 25	240 - 340	32 - 38	29 - 35	26 - 31	6" (152)	8 1/4" (210)
8"	175 - 396	28 - 41	25 - 38	23 - 34	415 - 598	42 - 51	39 - 46	35 - 42	8" (203)	10 1/4" (260)
10"	300 - 606	36 - 51	33 - 46	30 - 41	635 - 925	52 - 63	47 - 57	42 - 52	10" (254)	12 1/4" (311)
12"	400 - 850	42 - 61	38 - 55	34 - 50	907 - 1288	63 - 75	57 - 68	51 - 61	12" (305)	14 1/4" (362)
14"	600 - 1157	51 - 70	46 - 64	42 - 58	1229 - 1750	72 - 87	66 - 79	59 - 71	14" (356)	16 1/4" (413)
16"	750 - 1445	57 - 79	52 - 71	47 - 65	1537 - 2233	82 - 98	73 - 89	67 - 81	16" (406)	18 1/4" (464)
18"	1000 - 1826	66 - 88	60 - 80	54 - 72	1940 - 2764	91 - 109	82 - 99	74 - 89	18" (457)	20 1/4" (514)
20"	1200 - 2200	72 - 97	65 - 88	59 - 80	2334 - 3320	100 - 120	91 - 109	82 - 98	20" (508)	22 1/4" (565)
22"	1500 - 2654	81 - 107	73 - 97	66 - 87	2808 - 4000	120 - 132	99 - 119	90 - 108	22" (559)	24 1/4" (616)
24"	1800 - 3000	88 - 114	80 - 103	72 - 93	3273 - 4800	119 - 144	107 - 130	97 - 118	24" (610)	26 1/4" (667)

SEE BACK SUPPLEMENT FOR DESIGN INFORMATION

NOTES: Information shown is abbreviated. See website for complete information. Dimensions in parentheses are millimeters (mm). Throw value ranges are given for free jet isothermal conditions, unless otherwise noted, and a terminal velocity of 50 FPM (0.25 m/s). NC ranges are based on octave band 2 - 7 sound power levels minus a room absorption of 10dB, re 10<sup>-12</sup> Watts. Data was obtained from tests conducted in accordance with ANSI/ASHRAE Standard 70, ISO Standard 5219, and ISO Standard 3741.

© Copyright Krueger 2018