

MODEL

- REGC5 - Aluminum, round egg crate, concealed mount

FEATURES

- Aluminum construction
- Round 1/2"x1/2"x1/2" egg crate grille
- For use in surface mount applications
- Concealed mounting system standard

INLET SIZES

- Round: 6" - 24" (2" increments), 30"

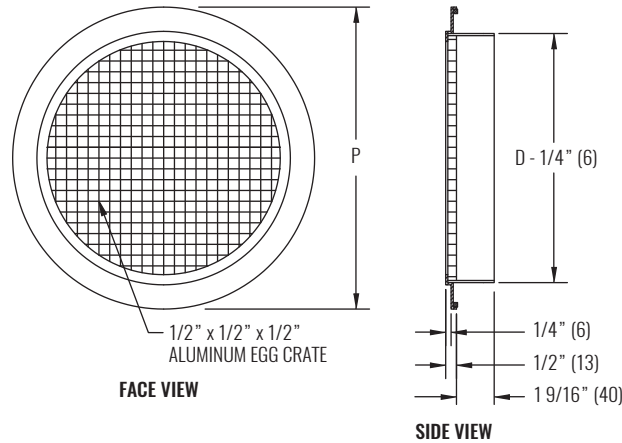


REGC5

Round Egg Crate Grille



DIMENSIONAL DATA



NOTES: Dimensions in parentheses are millimeters (mm). Illustration shown without concealed mounting ring. See table below for dimensional references.

PERFORMANCE AND DIMENSIONAL DATA

SIZE	PERFORMANCE				DIMENSIONS	
	NC (< 25)		NC (25 - 40)		DUCT D	P
NOMINAL	CFM	THROW (ft)	CFM	THROW (ft)		
SUPPLY						
6"	100 - 200	21 - 29	215 - 325	30 - 37	6" (152)	8 1/4" (210)
10"	200 - 530	29 - 48	575 - 875	50 - 61	10" (254)	12 1/4" (311)
18"	700 - 1550	55 - 82	1675 - 2600	85 - 106	18" (457)	20 1/4" (514)
24"	1000 - 2500	66 - 104	2800 - 4375	110 - 138	24" (610)	26 1/4" (667)
30"	1500 - 3800	79 - 130	4200 - 6000	134 - 161	30" (762)	32 1/4" (819)
RETURN						
6"	75 - 180		200 - 300			
10"	200 - 485		525 - 800			
18"	700 - 1415		1500 - 2300			
24"	1000 - 2370		2500 - 4000			
30"	1500 - 3555		3800 - 5800			

SEE BACK SUPPLEMENT FOR DESIGN INFORMATION

NOTES: Information shown is abbreviated. See website for complete information. Dimensions in parentheses are millimeters (mm). Throw value ranges are given for free jet isothermal conditions, unless otherwise noted, and a terminal velocity of 50 FPM (0.25 m/s). NC ranges are based on octave band 2 - 7 sound power levels minus a room absorption of 10dB, re 10⁻¹² Watts. Data was obtained from tests conducted in accordance with ANSI/ASHRAE Standard 70, ISO Standard 5219, and ISO Standard 3741.