

**MODEL**

- 4880 - Steel, heavy duty, double deflection supply grille

**FEATURES**

- Horizontal (H) or vertical (V) front blades
- Individually adjustable blades <sup>1</sup>
- 1/2" 14 gauge front blade spacing
- 3/4" rear blade spacing
- 18 gauge frame
- 48"x48" maximum single unit size

**GRILLE SIZES** <sup>2</sup>

- Width: 6" - 240" (1/4" increments)
- Height: 4" - 240" (1/4" increments)

**FRAME STYLES**

- F22 - Surface mount

**COMPATIBLE OPTIONS AND ACCESSORIES**

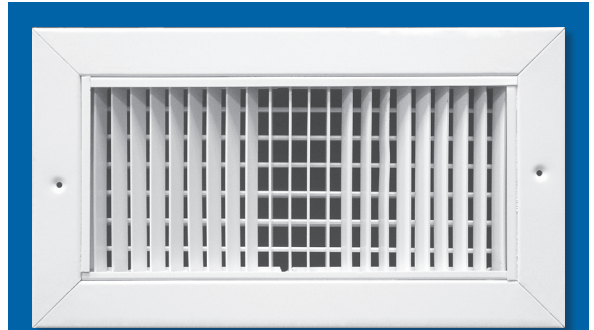
- Screw holes or concealed mounting <sup>3</sup>
- 8PF - Steel plaster frame
- 58PF - Aluminum plaster frame
- OBD - Steel, square or rectangular damper
- 5OBD - Aluminum, square or rectangular damper
- POBD - Steel, square or rectangular painted damper
- SSG - Steel, square or rectangular straightening grid
- SRAC325 - Steel, square to round adapter

NOTES: Not all options available with all configurations or one another. See website for complete compatibility.

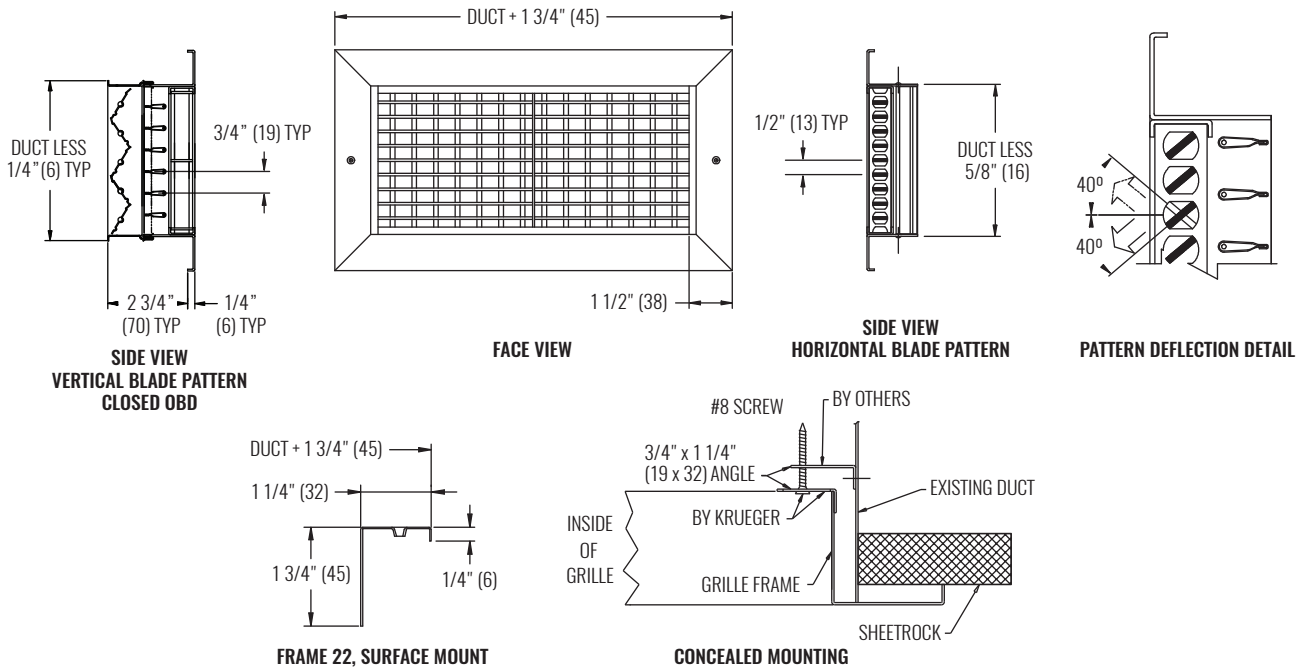
<sup>1</sup> Heavy duty blades may require tool to adjust.

<sup>2</sup> Max ordered size is 240"x96" or 96"x240". Units over 48"x48" provided in multiple sections.

<sup>3</sup> Concealed mounting not available with damper or plaster frame. Max unit size for concealed mounting is 36"x36".

**WEB SEARCH: 4880**

### DIMENSIONAL DATA



NOTES: Dimensions in parentheses are millimeters (mm).

### PERFORMANCE DATA

SIZE	PERFORMANCE - HORIZONTAL THROW							
	NC (< 25)				NC (25 - 40)			
	CFM	0° DEFL THROW (ft)	22.5° DEFL THROW (ft)	45° DEFL THROW (ft)	CFM	0° DEFL THROW (ft)	22.5° DEFL THROW (ft)	45° DEFL THROW (ft)
8"x4"	77 - 135	16 - 21	13 - 17	7 - 10	141 - 223	22 - 27	17 - 21	10 - 12
6"x6"	77 - 155	16 - 23	12 - 18	7 - 10	161 - 256	23 - 29	18 - 23	10 - 13
10"x4"	77 - 167	16 - 24	13 - 18	7 - 11	173 - 276	24 - 31	19 - 24	11 - 14
8"x6"	106 - 204	19 - 26	15 - 20	9 - 12	212 - 338	27 - 34	21 - 26	12 - 15
12"x4"	106 - 197	19 - 26	15 - 20	9 - 12	205 - 326	26 - 33	20 - 26	12 - 15
10"x6"	135 - 252	21 - 29	17 - 23	10 - 13	262 - 417	30 - 38	23 - 29	13 - 17
12"x6"	164 - 298	24 - 32	18 - 25	11 - 14	309 - 493	32 - 41	25 - 32	15 - 18
14"x6"	193 - 343	26 - 34	20 - 26	12 - 15	356 - 568	35 - 44	27 - 34	16 - 20
12"x8"	227 - 394	28 - 36	21 - 28	12 - 16	408 - 651	37 - 47	29 - 36	17 - 21
18"x6"	252 - 431	29 - 38	23 - 30	13 - 17	447 - 713	39 - 49	30 - 38	17 - 22
14"x8"	252 - 454	29 - 39	23 - 30	13 - 18	470 - 750	40 - 50	31 - 39	18 - 23
12"x12"	264 - 575	30 - 44	23 - 34	13 - 20	596 - 951	45 - 57	35 - 44	20 - 26

SEE BACK SUPPLEMENT FOR DESIGN INFORMATION

NOTES: Information shown is abbreviated. See website for complete information. Dimensions in parentheses are millimeters (mm). Throw value ranges are given for isothermal conditions, unless otherwise noted, and a terminal velocity of 50 FPM (0.25 m/s). NC ranges are based on octave band 2 - 7 sound power levels minus a room absorption of 10dB, re 10<sup>-12</sup> Watts. Data was obtained from tests conducted in accordance with ANSI/ASHRAE Standard 70, ISO Standard 5219, and ISO Standard 3741.