

**MODEL**

- EGC545 - Deterred sight egg crate return

**FEATURES**

- 1/2"x1/2"x1/2", 45° aluminum cube core
- 1 1/4" flange

**GRILLE SIZES**

- 10" x 10"
- 22" x 10"
- 22" x 22"
- 46" x 22"

**FRAME STYLES**

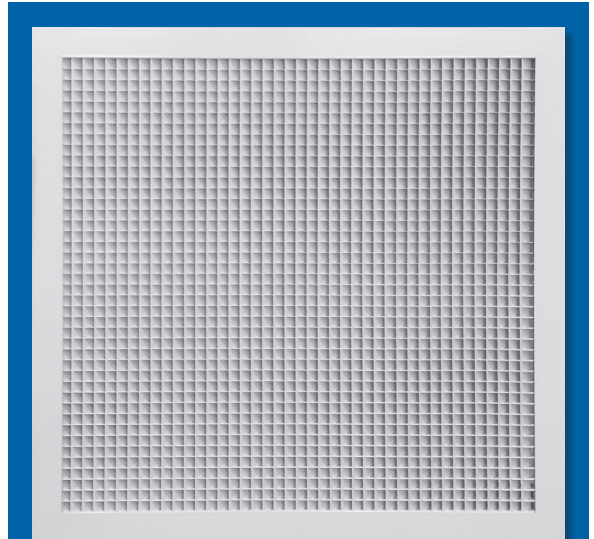
- F22 - Surface mount <sup>1</sup>

**COMPATIBLE OPTIONS AND ACCESSORIES**

- Screw holes
- 8PF - Steel plaster frame
- 58PF - Aluminum plaster frame
- OBD - Steel, square or rectangular damper
- 5OBD - Aluminum, square or rectangular damper
- POBD - Steel, square or rectangular painted damper
- SRAC325 - Steel, square to round adapter
- DS - Debris screen (1/4" mesh) or IS - Insect screen (1/16" mesh)

NOTES: Not all options available with all configurations. Many options not compatible with other options. Size limitations on accessories. See website for complete compatibility.

<sup>1</sup> Sized to fit lay-in T-bar ceiling applications. Choose no screw holes for lay-in.

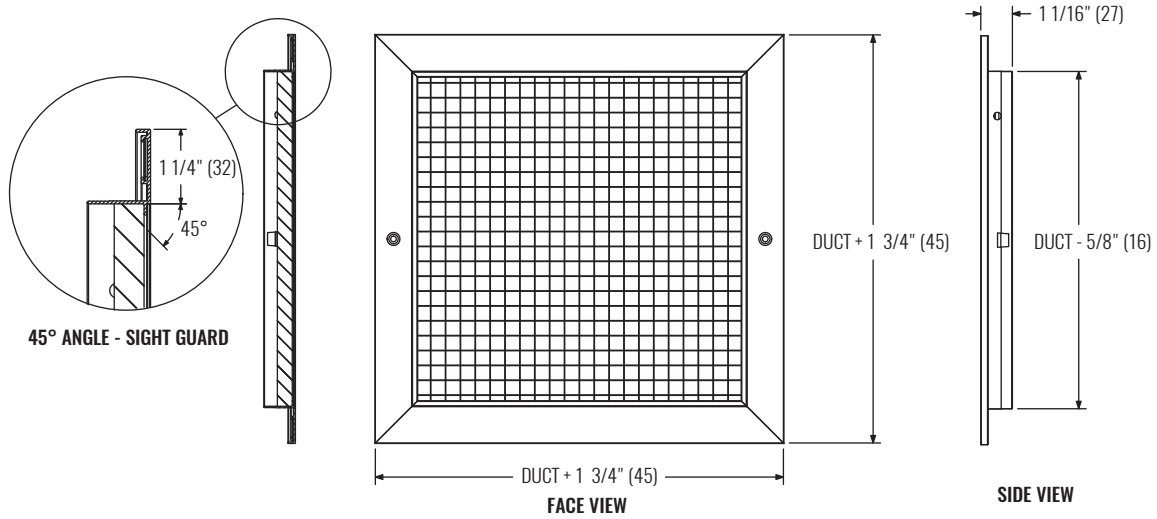


# EGC545

Return Grille, 45° Deterred Sight Egg Crate



## DIMENSIONAL DATA



NOTES: Dimensions in parentheses are millimeters (mm).

## PERFORMANCE DATA

| SIZE    | PERFORMANCE |              |
|---------|-------------|--------------|
|         | NC (< 25)   | NC (25 - 40) |
| NOMINAL | CFM         | CFM          |
| 10"x10" | 149 - 273   | 282 - 628    |
| 22"x10" | 341 - 511   | 546 - 956    |
| 22"x22" | 549 - 985   | 1019 - 1826  |
| 46"x22" | 1169 - 1770 | 1903 - 3315  |

SEE BACK SUPPLEMENT FOR DESIGN INFORMATION

NOTES: Information shown is abbreviated. See website for complete information. Dimensions in parentheses are millimeters (mm). NC ranges are based on octave band 2 - 7 sound power levels minus a room absorption of 10dB, re  $10^{-12}$  Watts. Data was obtained from tests conducted in accordance with ANSI/ASHRAE Standard 70, ISO Standard 5219, and ISO Standard 3741.