

**MODEL**

- 1310 - Maximum security steel grille with 3/16" thick, 46% free area, perforated face with 5/16" holes on 7/16" staggered centers

**FEATURES**

- 3/16" thick steel stitch welded sleeve
- Suitable for supply or return applications

**GRILLE SIZE**

- Width: 6" - 30" (2" increments), 9" <sup>1</sup>
- Height: 4" - 30" (2" increments), 9" <sup>1</sup>
- Sleeve Length: 6" - 18" (2" increments)

**COMPATIBLE OPTIONS AND ACCESSORIES**

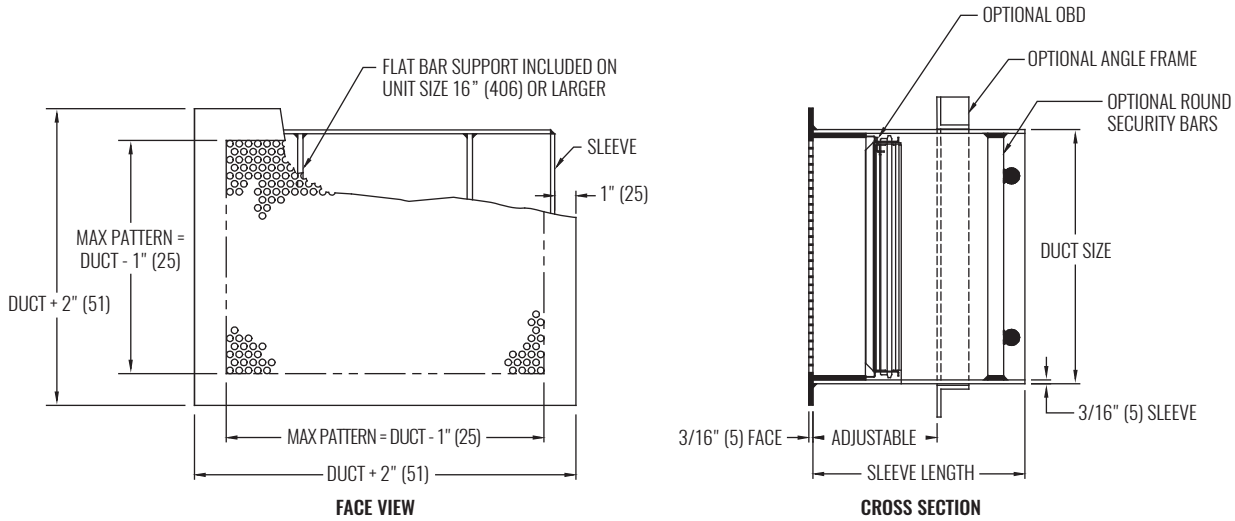
- Steel angle frame shipped loose and unpainted, constructed of 1 1/2"x1 1/2"x3/16" angle <sup>2</sup>
- Steel security bars on 6" centers, constructed of 3/4" diameter bars welded in sleeve
- Steel anchor bars, constructed of 3"x3/4" diameter bars
- Two loose steel angles shipped loose and unpainted, constructed of 1 1/2"x1 1/2"x3/16" angle <sup>2</sup>
- Front or rear operated OBD <sup>3</sup>

**NOTES:**

- <sup>1</sup> If selecting 9" width, height must also be 9".
- <sup>2</sup> Steel angle frame is not compatible with the two loose angles.
- <sup>3</sup> Damper welded in sleeve.



### DIMENSIONAL DATA



NOTES: Dimensions in parentheses are millimeters (mm). Recommended opening = duct size + 1/2". Optional angle frame or loose angles to be field welded for mounting.

### PERFORMANCE DATA

SIZE	PERFORMANCE			
	NC (< 25)		NC (25 - 40)	
NOMINAL	CFM	THROW (ft)	CFM	THROW (ft)
6"x6"	25 - 100	5 - 16	125 - 200	17 - 22
8"x6"	33 - 133	6 - 18	167 - 233	20 - 25
8"x8"	44 - 178	6 - 21	222 - 311	23 - 29
8"x10"	56 - 222	7 - 23	278 - 389	26 - 31
9"x9"	56 - 225	7 - 23	281 - 394	26 - 31
10"x6"	50 - 185	2 - 6	190 - 300	7 - 8
10"x10"	69 - 278	8 - 26	347 - 486	29 - 34
12"x6"	50 - 200	2 - 7	225 - 350	7 - 9
12"x12"	100 - 400	10 - 31	500 - 600	35 - 38
16"x16"	178 - 533	13 - 36	711 - 1067	41 - 51
22"x10"	200 - 575	5 - 11	600 - 950	12 - 15
22"x22"	336 - 1008	18 - 49	1176 - 1681	53 - 64

#### SEE BACK SUPPLEMENT FOR DESIGN INFORMATION

NOTES: Information shown is abbreviated. See website for complete information. Dimensions in parentheses are millimeters (mm). Unless otherwise noted, throw value ranges provided are for a horizontal discharge air pattern at isothermal conditions and a terminal velocity of 50 FPM (0.25 m/s). NC ranges are based on octave band 2 - 7 sound power levels minus a room absorption of 10dB, re 10<sup>-12</sup> Watts. Data was obtained from tests conducted in accordance with ANSI/ASHRAE Standard 70, ISO Standard 5219, and ISO Standard 3741.