

MODEL

- 13SD - Steel, anti-ligature security grille

FEATURES

- Anti-ligature construction
- 3/16" thick steel stitch welded sleeve
- 3/16" thick perforated face
- 3/16" holes on 9/32" staggered centers for 40% free area
- Excellent solution for maximum security applications
- Suitable for supply and return applications

GRILLE SIZE

- Width: 6" - 30" (2" increments), 9" ¹
- Height: 4" - 30" (2" increments), 9" ¹
- Sleeve Length: 6" - 18" (2" increments)

COMPATIBLE OPTIONS AND ACCESSORIES

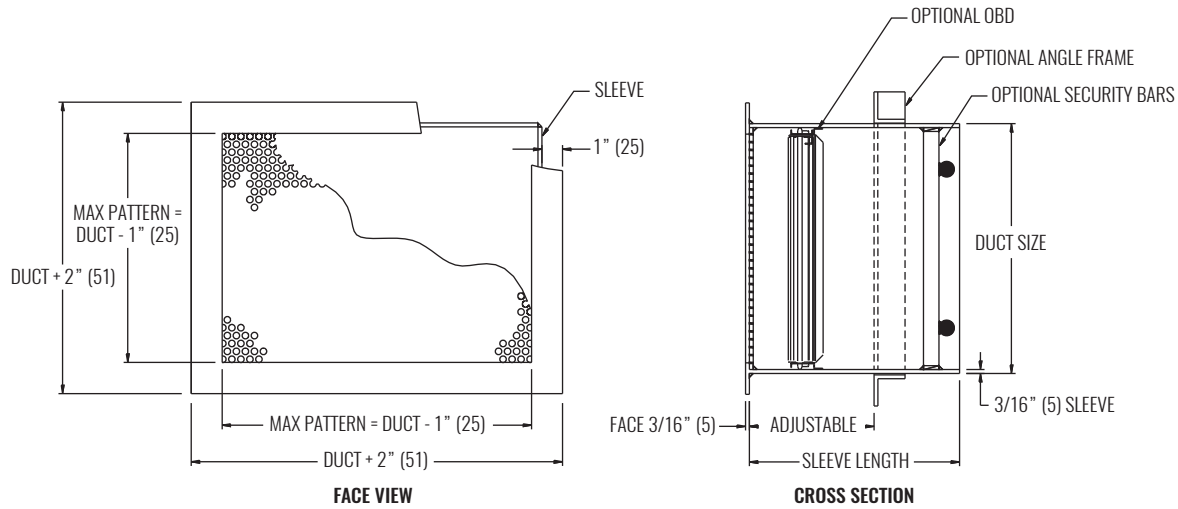
- Unpainted steel angle frame shipped loose for field installation, constructed of 1 1/2"x1 1/2"x3/16" angle ²
- Steel 3/4" diameter security bars on 6" centers welded in sleeve
- Steel 3"x3/4" diameter anchor bars
- Two unpainted loose steel angles shipped loose for field installation; constructed of 1 1/2"x1 1/2"x3/16" angle ²
- Rear operated OBD ³

NOTES:

- ¹ If selecting 9" width, height must also be 9".
- ² Steel angle frame is not compatible with the two loose angles.
- ³ Damper welded in sleeve.



DIMENSIONAL DATA



NOTES: Dimensions in parentheses are millimeters (mm). Recommended opening = duct size + 1/2". Optional angle frame or loose angles to be field welded for mounting.

PERFORMANCE DATA

SIZE	PERFORMANCE			
	NC (< 25)		NC (25 - 40)	
	CFM	THROW (ft)	CFM	THROW (ft)
6"x6"	25 - 100	5 - 16	125 - 175	17 - 21
8"x8"	44 - 178	6 - 21	222 - 267	23 - 25
9"x9"	56 - 169	7 - 20	225 - 338	23 - 29
10"x10"	69 - 208	8 - 22	278 - 417	26 - 32
12"x10"	100 - 300	10 - 27	350 - 500	29 - 35
12"x12"	100 - 300	10 - 27	400 - 600	31 - 38
14"x14"	136 - 408	11 - 31	544 - 681	36 - 41
16"x16"	178 - 533	13 - 36	711 - 889	41 - 46
22"x10"	200 - 525	15 - 36	606 - 580	38 - 45
22"x22"	336 - 1008	18 - 49	1176 - 1681	53 - 64
24"x24"	400 - 1000	19 - 48	1200 - 1600	54 - 62
30"x30"	625 - 1563	24 - 60	1875 - 2500	67 - 78

SEE BACK SUPPLEMENT FOR DESIGN INFORMATION

NOTES: Information shown is abbreviated. See website for complete information. Dimensions in parentheses are millimeters (mm). Unless otherwise noted, throw value ranges provided are for a horizontal discharge air pattern at isothermal conditions and a terminal velocity of 50 FPM (0.25 m/s). NC ranges are based on octave band 2 - 7 sound power levels minus a room absorption of 10dB, re 10⁻¹² Watts. Data was obtained from tests conducted in accordance with ANSI/ASHRAE Standard 70, ISO Standard 5219, and ISO Standard 3741.