

MODEL

- 1380 - Steel, minimum security supply or return grille with 12 gauge face
- 51380 - Aluminum, minimum security supply or return grille with 1/8" thick face

FEATURES

- Steel (1380) or aluminum (51380) construction
- L pattern features a lattice face plate with 13/16" square holes and 3/16" fret (66% free area)
- P pattern features a perforated face plate with 5/16" round holes on 7/16" staggered centers (46% free area)

GRILLE SIZE

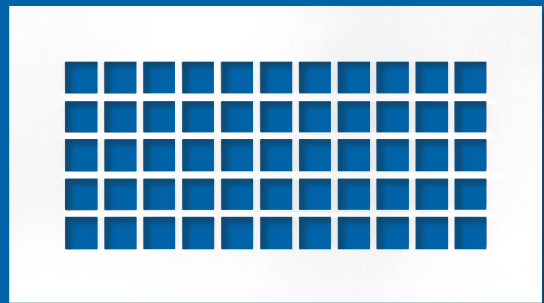
- Width: 6" - 30" (2" increments), 9"¹
- Height: 4" - 30" (2" increments), 9"¹

COMPATIBLE OPTIONS AND ACCESSORIES

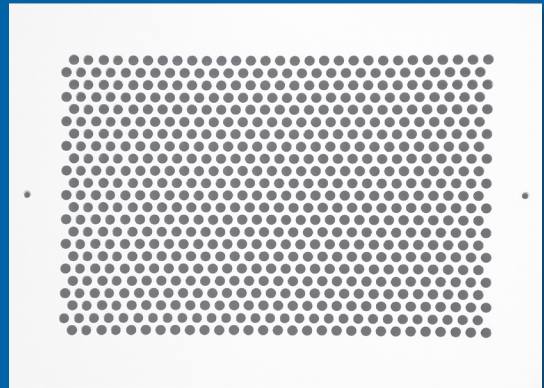
- Countersunk or straight screw holes
- Front operated aluminum or steel OBD
- 8PF - Steel plaster frame
- 58PF - Aluminum plaster frame

NOTES: Mounting security screws provided by others.

¹ If selecting 9" width, height must also be 9".



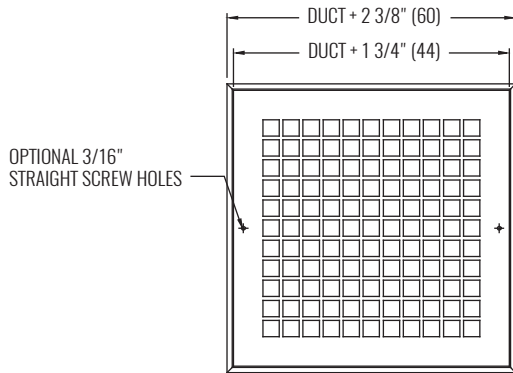
1380L



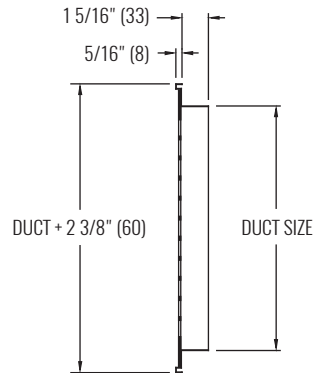
1380P



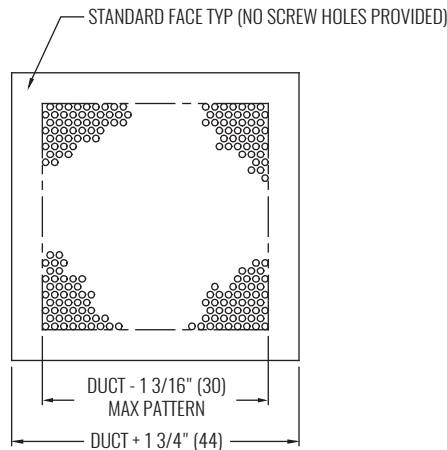
DIMENSIONAL DATA



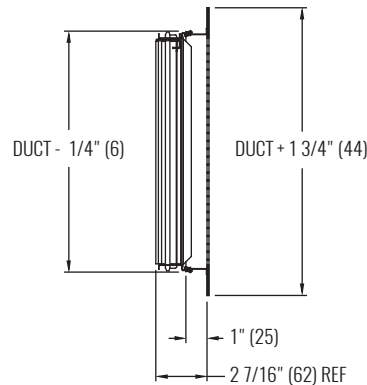
LATTICE FACE PLATE
SHOWN WITH OPTIONAL
PLASTER FRAME



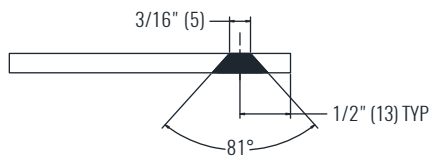
SIDE VIEW
SHOWN WITH OPTIONAL
PLASTER FRAME



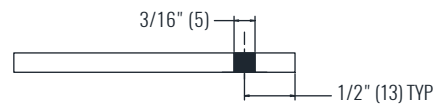
PERFORATED FACE PLATE



SIDE VIEW
SHOWN WITH OPTIONAL OBD



COUNTERSUNK SCREW HOLE DETAIL



STRAIGHT SCREW HOLE DETAIL

SEE BACK SUPPLEMENT FOR DESIGN INFORMATION

NOTES: Information shown is abbreviated. See website for complete information. Dimensions in parentheses are millimeters (mm).