

MODEL

- 1390 - Steel security grille with security bars (no sleeve)

FEATURES

- 3/4" diameter vertical and 2 1/2"x1/4" flat horizontal bars
- 30"x30" maximum single unit size

GRILLE SIZE

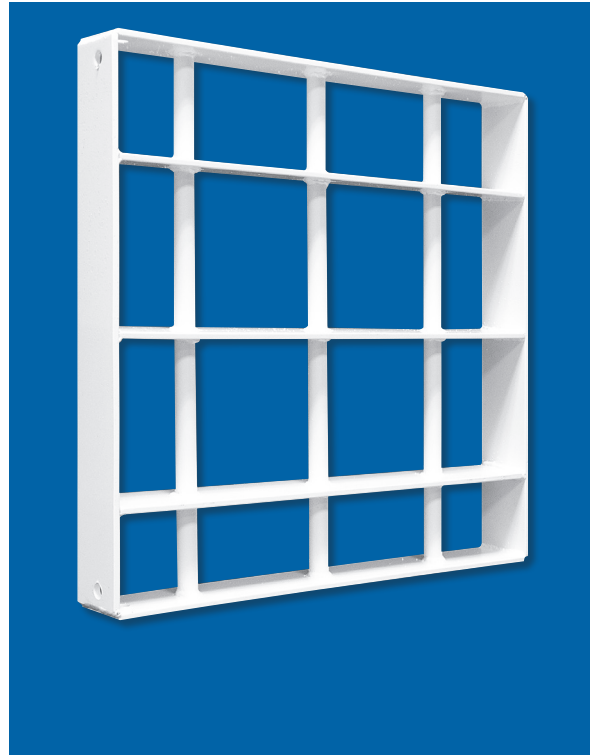
- Width: 6" - 30" (1" increments), 9"¹
- Height: 4" - 30" (1" increments), 9"¹

COMPATIBLE OPTIONS AND ACCESSORIES

- 2 1/2"x1/4" flat horizontal bars on 6" centers (no vertical round bars)
- 3/4" diameter vertical bars on 6" centers (no horizontal flat bars)

NOTES:

- ¹ If selecting 9" width, height must also be 9".

**WEB SEARCH: 1390****MODEL**

- 1390F - Steel security grille with security bars (sleeve)

FEATURES

- 30"x30" maximum single unit size
- Two unpainted steel angle frames shipped loose for field installation, constructed of 1 1/2"x1 1/2"x3/16" angle

GRILLE SIZE

- Width: 6" - 30" (2" increments), 9"¹
- Height: 4" - 30" (2" increments), 9"¹
- Sleeve Length: 6", 8", 10", 12", 14", 16", or 18"

NOTES:

- ¹ If selecting 9" width, height must also be 9".

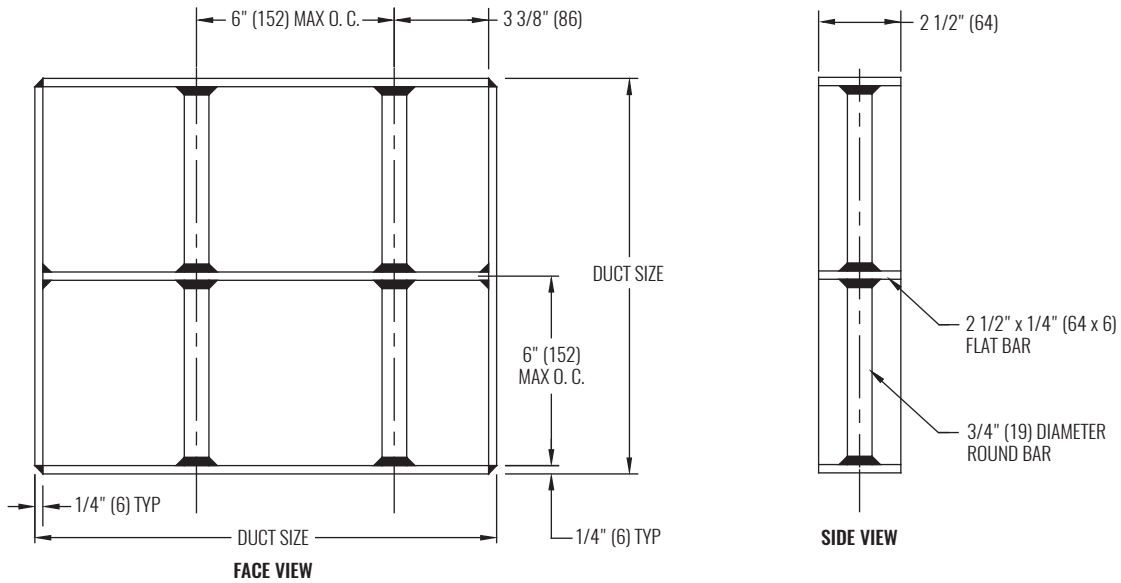
**WEB SEARCH: 1390F**

1390 / 1390F

Minimum Security Bars

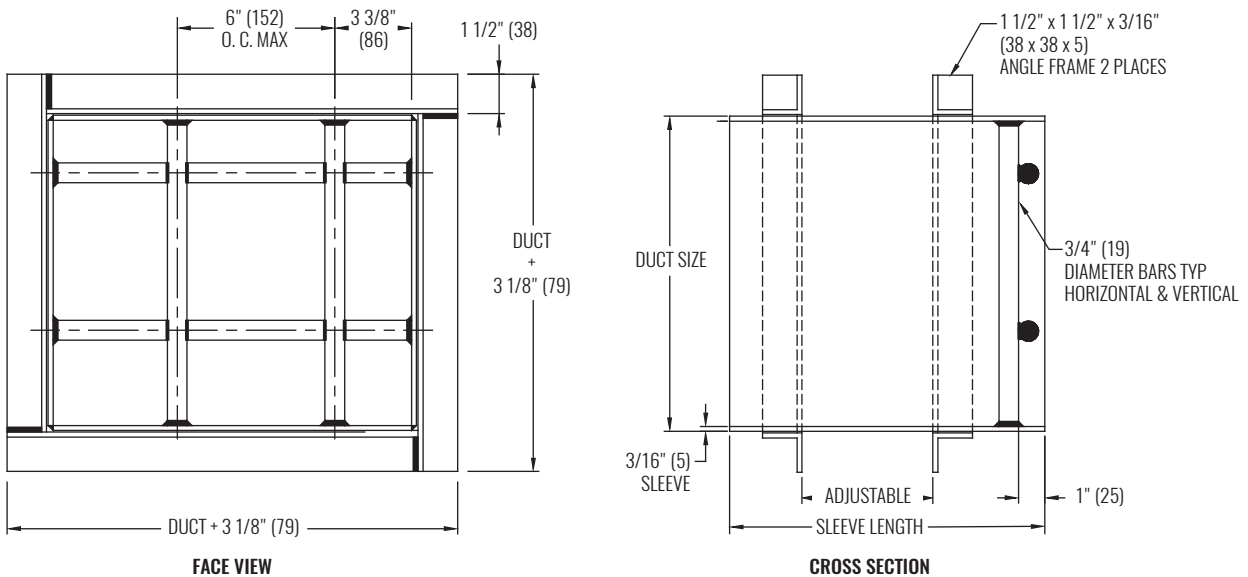


DIMENSIONAL DATA: 1390



NOTES: Dimensions in parentheses are millimeters (mm).

DIMENSIONAL DATA: 1390F



NOTES: Dimensions in parentheses are millimeters (mm).