

MODEL

- 680MP - Industrial supply grille with fully adjustable front blades and gang operated rear blades with steel frame construction
- 5680MP - Industrial supply grille with fully adjustable front blades and gang operated rear blades with extruded aluminum frame construction

FEATURES

- Extruded aluminum airfoil blades
- Horizontal or vertical front blades
- Individually adjustable front blades
- Steel gang operated multi-louver rear blades
- Border: 1 1/4"
- Blade Spacing: 3/4" front and 1" rear

GRILLE SIZE

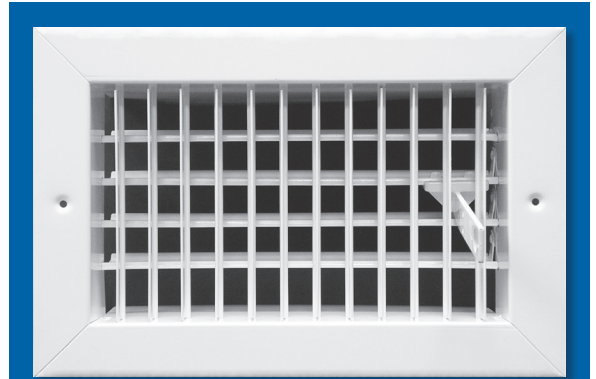
- Width: 10" - 40" (1" increments)¹
- Height: 6" - 36" (1" increments)¹

COMPATIBLE OPTIONS AND ACCESSORIES

- OBD – Steel opposed blade damper
- POBD – Painted steel opposed blade damper
- 5OBD – Aluminum opposed blade damper

NOTES: Mounting hardware is to be provided by others.

¹ Use multiple sections for larger sizes.

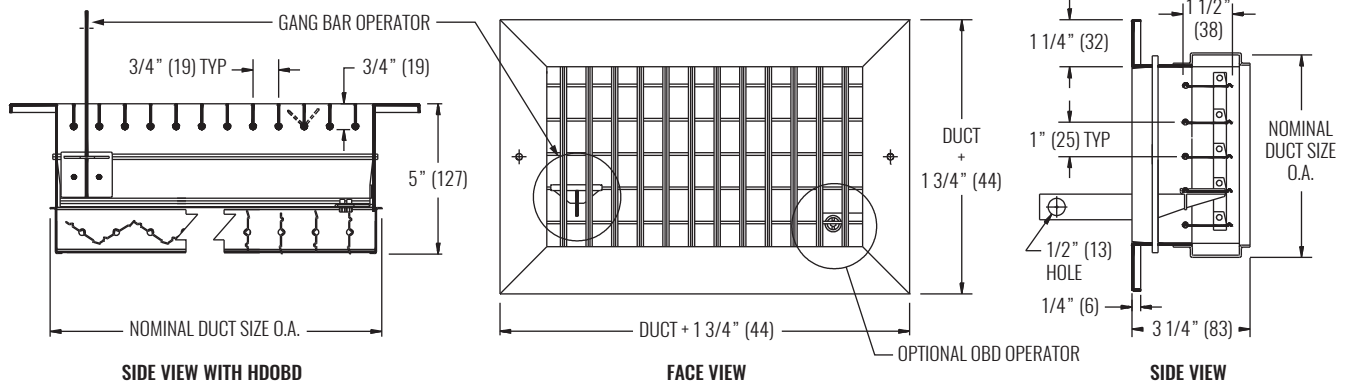
**WEB SEARCH:** 680MP or 5680MP

680MP / 5680MP

Industrial Airfoil Grilles, Double Deflection, Gang Operated



DIMENSIONAL DATA



NOTES: Dimensions in parentheses are millimeters (mm).

PERFORMANCE DATA

SIZE	PERFORMANCE							
	NC (< 25)				NC (25 - 40)			
SIZE	CFM	0° DEFL THROW (ft)	22.5° DEFL THROW (ft)	45° DEFL THROW (ft)	CFM	0° DEFL THROW (ft)	22.5° DEFL THROW (ft)	45° DEFL THROW (ft)
12"x6"	164 - 352	24 - 34	18 - 27	11 - 16	365 - 582	35 - 44	27 - 34	16 - 20
18"x4"	164 - 337	24 - 34	18 - 26	11 - 15	349 - 556	34 - 43	27 - 34	15 - 20
10"x8"	193 - 393	36 - 36	20 - 28	11 - 16	407 - 649	37 - 47	29 - 36	17 - 21
12"x8"	227 - 465	28 - 40	21 - 31	12 - 18	482 - 769	40 - 51	31 - 40	18 - 23
14"x8"	239 - 535	28 - 43	22 - 33	13 - 19	556 - 885	43 - 55	34 - 42	20 - 25
18"x10"	443 - 829	39 - 53	30 - 41	17 - 24	858 - 1369	54 - 68	42 - 53	24 - 31
24"x8"	488 - 869	41 - 54	31 - 42	18 - 24	899 - 1436	55 - 70	43 - 54	25 - 31
32"x10"	642 - 1382	47 - 68	36 - 53	21 - 31	1450 - 2284	70 - 88	54 - 68	32 - 40
34"x10"	686 - 1458	48 - 70	37 - 54	22 - 32	1509 - 2409	71 - 90	55 - 70	32 - 41
36"x12"	836 - 1814	53 - 78	41 - 61	24 - 35	1877 - 2998	80 - 101	62 - 78	36 - 45
22"x22"	929 - 2029	56 - 83	43 - 64	25 - 37	2099 - 3353	84 - 106	65 - 83	38 - 48
30"x30"	1782 - 3517	78 - 109	60 - 84	35 - 49	3637 - 5810	111 - 140	86 - 109	50 - 63

SEE BACK SUPPLEMENT FOR DESIGN INFORMATION

NOTES: Information shown is abbreviated. See website for complete information. Dimensions in parentheses are millimeters (mm). Unless otherwise noted, throw value ranges provided are for a horizontal discharge air pattern at isothermal conditions and a terminal velocity of 50 FPM (0.25 m/s). NC ranges are based on octave band 2 - 7 sound power levels minus a room absorption of 10dB, re 10⁻¹² Watts. Data was obtained from tests conducted in accordance with ANSI/ASHRAE Standard 70, ISO Standard 5219, and ISO Standard 3741.