

**MODEL**

- 600 - Sightproof transfer grille with 1 1/4" steel frame
- 600A - Sightproof transfer grille with 1 1/4" steel frame on both sides, adjusting to fit door thickness between 1 3/8" and 2 1/4"
- 600C - Sightproof single core and channel frame with 3/16" margin
- 600F - Auxiliary frame only for 600 and 600A

**FEATURES**

- Steel construction
- Ensures privacy with sightproof blades
- Ideal choice for wall or door air transfer from room to room

**GRILLE SIZE**

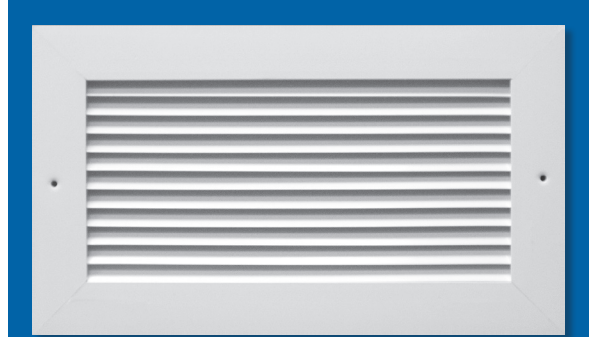
- Width: 6" - 30" (1" increments)
- Height: 4" - 30" (1" increments)

**COMPATIBLE OPTIONS AND ACCESSORIES**

- Screw holes <sup>1</sup>

## NOTES:

<sup>1</sup> Fastening method does not apply to model 600C grille.

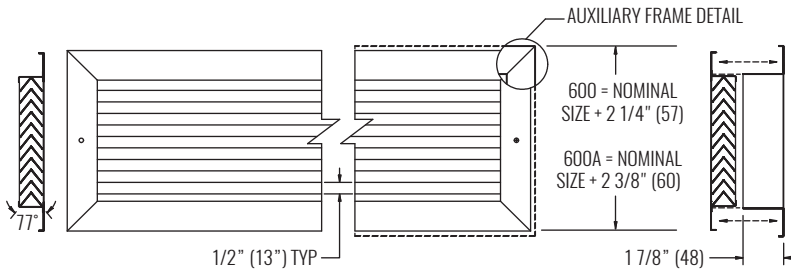


# 600 SERIES

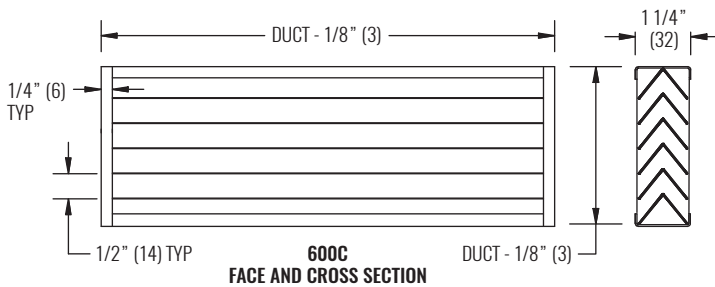
Transfer Grilles, Sightproof, Steel



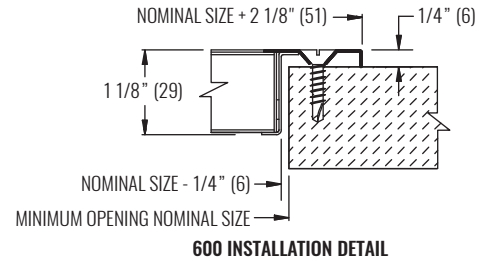
## DIMENSIONAL DATA



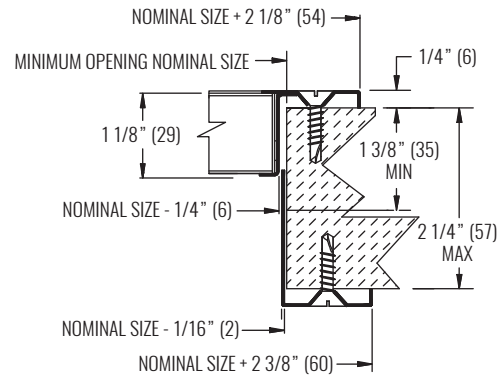
**600** FACE AND CROSS SECTIONS **600A**



**600C** FACE AND CROSS SECTION



**600 INSTALLATION DETAIL**



**600A INSTALLATION DETAIL**

NOTES: Dimensions in parentheses are millimeters (mm).

## PERFORMANCE DATA

SIZE	PERFORMANCE	
	NC (< 25)	NC (25 - 40)
NOMINAL SIZE	CFM	CFM
6"x6"	34 - 60	64 - 122
12"x10"	89 - 172	181 - 352
12"x12"	141 - 201	211 - 411
18"x8"	141 - 199	209 - 407
14"x14"	146 - 260	274 - 533
18"x12"	146 - 282	296 - 577
24"x10"	165 - 306	322 - 626
16"x16"	178 - 325	342 - 666
24"x12"	178 - 357	375 - 731
18"x18"	207 - 395	416 - 810
20"x20"	309 - 471	495 - 964
24"x24"	375 - 635	667 - 1300

SEE BACK SUPPLEMENT FOR DESIGN INFORMATION

NOTES: Information shown is abbreviated. See website for complete information. Dimensions in parentheses are millimeters (mm). Throw value ranges are given for isothermal conditions, unless otherwise noted, and a terminal velocity of 50 FPM (0.25 m/s). NC ranges are based on octave band 2 - 7 sound power levels minus a room absorption of 10dB, re 10<sup>-12</sup> Watts. Data was obtained from tests conducted in accordance with ANSI/ASHRAE Standard 70, ISO Standard 5219, and ISO Standard 3741.