

MODEL

- 91240 - Stainless steel fixed core diffuser

FEATURES

- 1, 2 (or 2-corner), 3, or 4-way discharge air patterns
- 304 stainless steel construction (316 optional)

INLET SIZE

- Width: 4" - 48" (1" increments)
- Height: 4" - 60" (1" increments)

FRAME STYLES

- F22 - Surface mount
- F23 - Lay-in T-bar

PANEL SIZES

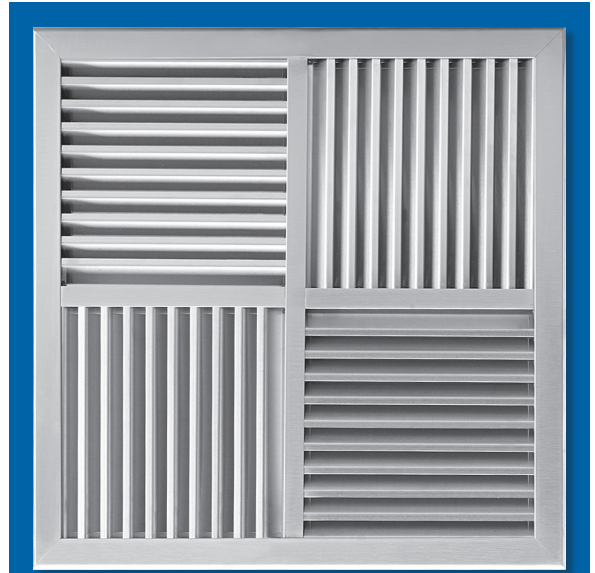
- 24"x24"

COMPATIBLE OPTIONS AND ACCESSORIES

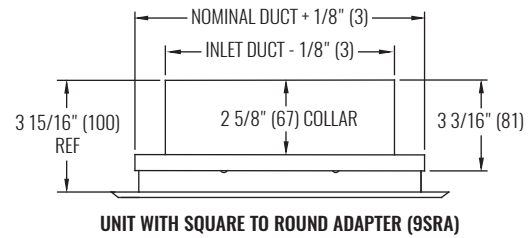
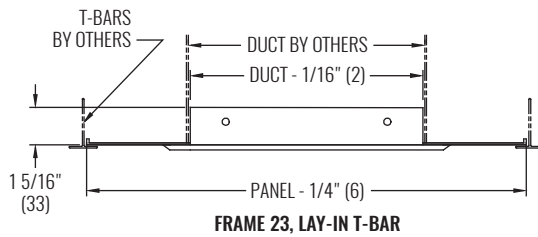
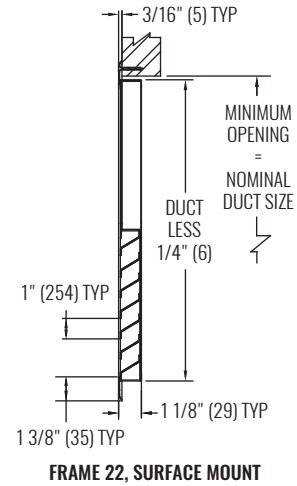
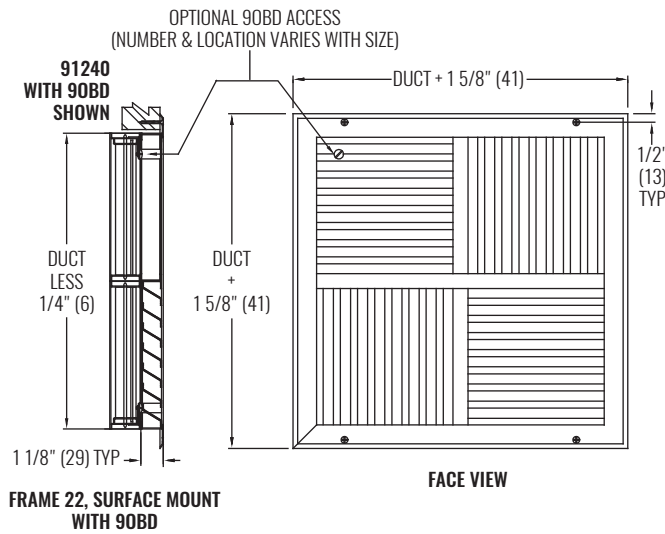
- Countersunk screw holes ¹
- 9OBD - Stainless steel OBD welded to unit, face adjustable
- 98PF - Stainless steel plaster frame
- 9SRA - Stainless steel square to round adapter

NOTES:

- ¹ Unit is shipped with #6x1 1/4" stainless steel sheet metal screws.



DIMENSIONAL DATA



NOTES: Dimensions in parentheses are millimeters (mm).

PERFORMANCE DATA

SIZE	PERFORMANCE			
	NC (< 25)		NC (25 - 40)	
INLET	CFM	THROW (ft)	CFM	THROW (ft)
6"x6"	75 - 225	8 - 14	250 - 275	14 - 15
8"x8"	133 - 311	10 - 16	356 - 489	17 - 20
10"x10"	208 - 417	13 - 18	486 - 764	20 - 25
12"x12"	300 - 600	16 - 22	700 - 1000	24 - 29
14"x14"	408 - 681	18 - 24	817 - 1225	26 - 32
16"x16"	533 - 889	21 - 27	1067 - 1422	30 - 34
18"x18"	675 - 900	23 - 27	1125 - 1800	30 - 38
20"x20"	556 - 1111	21 - 30	1389 - 1944	34 - 40
22"x22"	336 - 1344	12 - 33	1681 - 2353	37 - 44
24"x24"	400 - 1200	18 - 31	1600 - 2400	36 - 44

SEE BACK SUPPLEMENT FOR DESIGN INFORMATION

NOTES: Information shown is abbreviated. See website for complete information. Throw value ranges are given for isothermal conditions, unless otherwise noted, and a terminal velocity of 50 FPM (0.25 m/s). NC ranges are based on octave band 2 - 7 sound power levels minus a room absorption of 10dB, re 10⁻¹² Watts. Data was obtained from tests conducted in accordance with ANSI/ASHRAE Standard 70, ISO Standard 5219, and ISO Standard 3741.