

MODEL

- 91310 - Stainless steel maximum security grille

FEATURES

- 10 gauge perforated face and 5/16" holes on 7/16" staggered centers
- 10 gauge stitch welded sleeve
- 304 stainless steel construction (316 optional)
- Ideal choice for secure areas that require large amounts of supply or return air

INLET SIZE

- Width: 6" - 30" (2" increments)
- Height: 4" - 30" (2" increments)
- Sleeve Length: 6", 8", 10", 12", or 18"

COMPATIBLE OPTIONS AND ACCESSORIES

- Angle frame, shipped loose
- Security bars on 6" centers
- Anchor bars
- Two angles, shipped loose
- Front or rear operated OBD, welded in sleeve



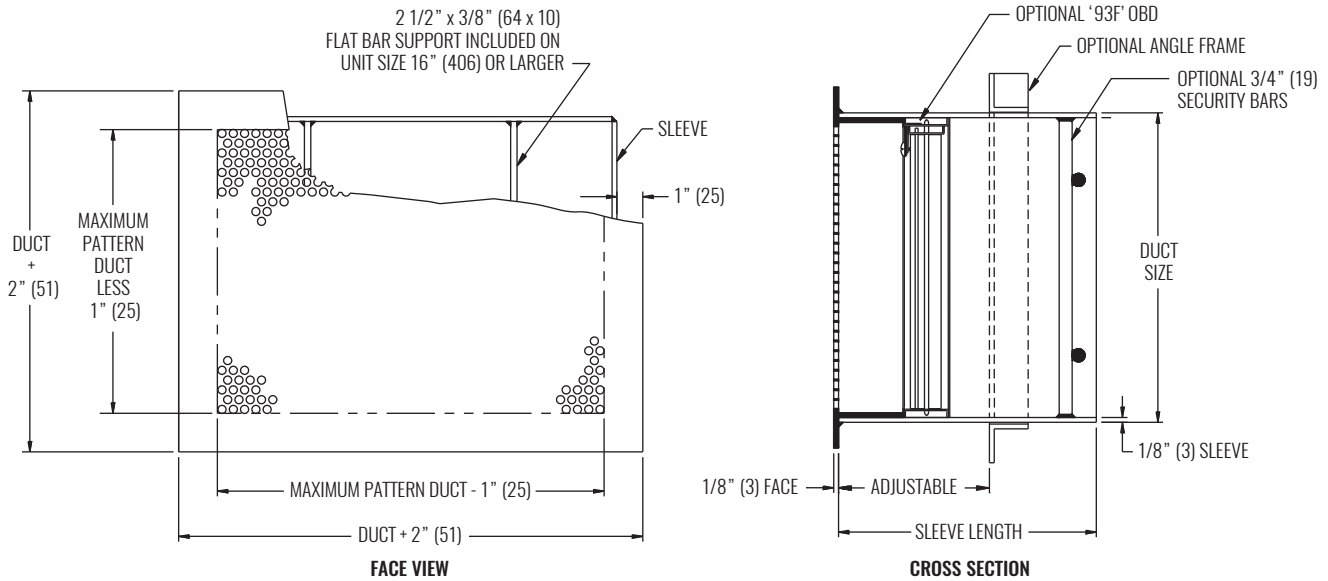
91310

Stainless Steel Grille, Maximum Security



GRILLES | STAINLESS STEEL

DIMENSIONAL DATA



NOTES: Dimensions in parentheses are millimeters (mm).

PERFORMANCE DATA

SIZE	PERFORMANCE			
	NC (< 25)		NC (25 - 40)	
UNIT	CFM	THROW (ft)	CFM	THROW (ft)
6"x6"	25 - 100	5 - 16	125 - 200	17 - 22
8"x6"	33 - 133	6 - 18	167 - 233	20 - 25
8"x8"	44 - 178	6 - 21	222 - 311	23 - 29
8"x10"	56 - 222	7 - 23	278 - 389	26 - 31
9"x9"	56 - 225	7 - 23	281 - 394	26 - 31
10"x6"	50 - 185	2 - 6	190 - 300	7 - 8
10"x10"	69 - 278	8 - 26	347 - 486	29 - 34
12"x6"	50 - 200	2 - 7	225 - 350	7 - 9
12"x12"	100 - 400	10 - 31	500 - 600	35 - 38
16"x16"	178 - 533	13 - 36	711 - 1067	41 - 51
22"x10"	200 - 575	5 - 11	600 - 950	12 - 15
22"x22"	336 - 1008	18 - 49	1176 - 1681	53 - 64

SEE BACK SUPPLEMENT FOR DESIGN INFORMATION

NOTES: Information shown is abbreviated. See website for complete information. Throw value ranges are given for isothermal conditions, unless otherwise noted, and a terminal velocity of 50 FPM (0.25 m/s). NC ranges are based on octave band 2 - 7 sound power levels minus a room absorption of 10dB, re 10⁻¹² Watts. Data was obtained from tests conducted in accordance with ANSI/ASHRAE Standard 70, ISO Standard 5219, and ISO Standard 3741.

© Copyright Krueger 2018