

MODEL

- AFF - Half flat oval, low velocity displacement diffuser

FEATURES

- 20 gauge front panel
- Horizontal, low velocity discharge at floor level
- Shallow footprint
- Large airflow rates with low residual velocities in the occupied zone due to large front plate
- Detachable front plate and removable baffle enables cleaning of the unit and duct work
- Rectangular duct connection on top/bottom of the unit

UNIT SIZES

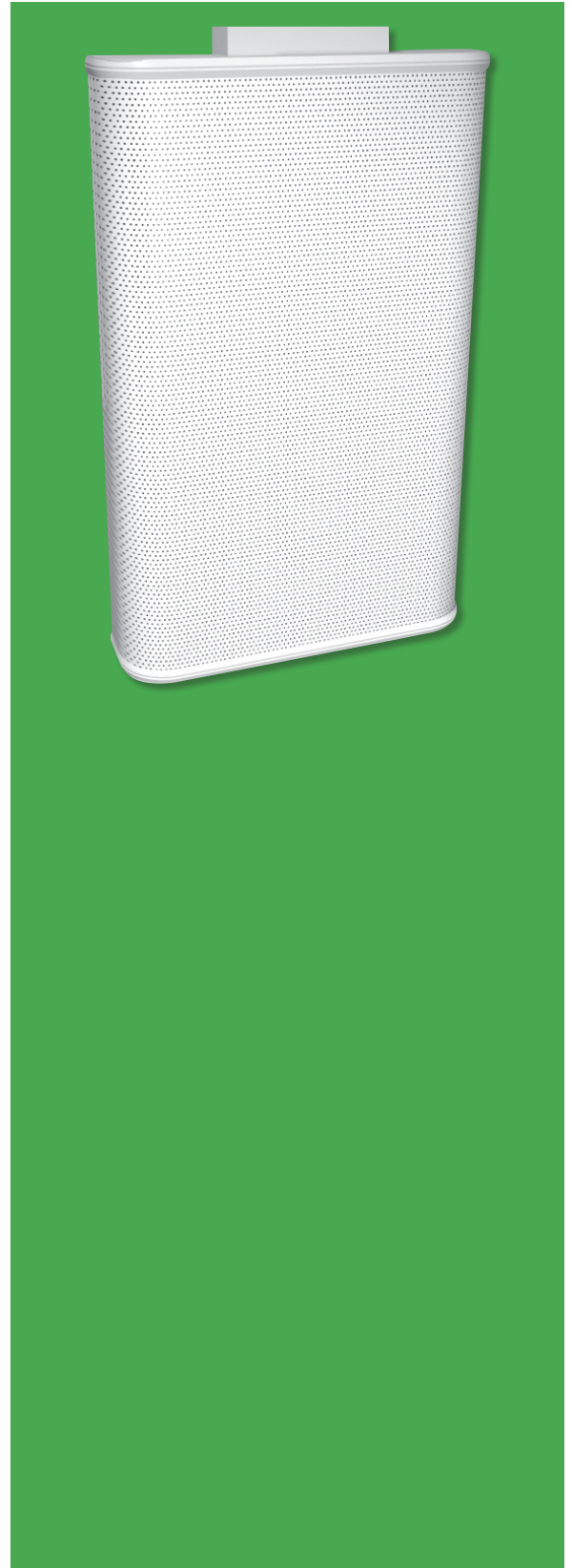
- 12"x4"
- 24"x4"
- 24"x8"
- 32"x10"
- 40"x12"
- 40"x20"
- Height: 24", 32", 48", 72"

COMPATIBLE OPTIONS AND ACCESSORIES

- Stainless steel (AISI 316) design ¹
- 16 gauge front panel
- Duct cover (solid or perforated)
- Installation base (2", 4", 6")
- Vinyl trim in white or black
- Metal trim (painted to match)

NOTES: Finish code 90 (polished) not available with material code GS (steel).

¹ Material code SS (316 stainless steel) not available with front panel thickness code 16 (16 gauge). Material code SS (316 stainless steel) only available with finish code 90 (polished). If material code SS (stainless steel) is selected, the duct cover and installation base, if selected will be stainless steel.

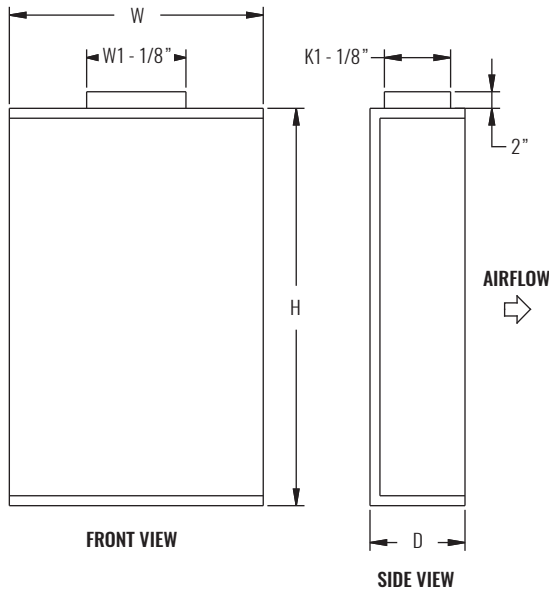


DISPLACEMENT VENTILATION

AFF

WEB SEARCH: AFF

DIMENSIONAL DATA



DIMENSIONS					
NOMINAL W x H	W	H	D	W1	K1
12" x 4"	30 3/16"	23 13/16"	7 3/8"	12"	4"
12" x 4"	30 3/16"	47 7/16"	7 3/8"	12"	4"
24" x 4"	38 1/16"	31 11/16"	7 3/8"	24"	4"
24" x 4"	38 1/16"	47 7/16"	7 3/8"	24"	4"
24" x 8"	42"	47 7/16"	11 5/16"	24"	8"
24" x 8"	42"	71 1/16"	11 5/16"	24"	8"
32" x 10"	47 15/16"	47 7/16"	13 1/4"	32"	10"
32" x 10"	47 15/16"	71 1/16"	13 1/4"	32"	10"
40" x 12"	59 3/4"	71 1/16"	15 1/4"	40"	12"
40" x 20"	71 9/16"	71 1/16"	23 7/8"	40"	20"

PERFORMANCE AND DESIGN DATA

SIZE	PERFORMANCE		
	NOMINAL W x H	CFM RANGE	NC RANGE
12" x 4"	149 - 350	13 - 30	4.6 - 7.9
24" x 4"	212 - 600	10 - 30	5.3 - 9.2
24" x 8"	530 - 1100	15 - 30	6.6 - 9.2
32" x 10"	636 - 1325	7 - 30	7.9 - 11.9
40" x 12"	1060 - 2225	14 - 30	7.9 - 10.5
40" x 20"	1272 - 2875	5 - 30	8.5 - 12.5

DESIGN	
PARAMETERS	COOLING
SUPPLY AIR TEMPERATURE	65 - 68°F
RECOMMENDED FACE VELOCITY	40 FPM
MAX FLOOR COVERAGE DISTANCE	30 ft

NOTES: Information shown is abbreviated. See website for complete information. Performance shown is based on the following operating conditions: 75°F, 50% relative humidity room design temperature. The "Near Zone Range" provides the distance in feet, measured from the face of the diffuser to where the discharge air drops down to 1" above floor level. Units are tested in accordance with the following standards: Air Flow Rate EN-ISO 5167-1 and Sound Power Level EN-ISO 7235.