

MODEL

- AFA - Rectangular, low velocity displacement diffuser

FEATURES

- 20 gauge front panel
- 1, 2, or 3-way air discharge pattern
- Flush mounted to the wall or ceiling
- Horizontal, low velocity discharge at floor level or vertical discharge from ceiling
- Round duct connection with integral gasket at the top, bottom, side, or back

UNIT SIZES

- 22"x21"
- 22"x45"
- 26"x53"
- 33"x63"
- 39"x79"
- 47"x79"
- 24"x24"
- 24"x48"
- 24"x60"
- 36"x48"
- 36"x60"
- 48"x24"
- 48"x36"
- 60"x24"
- 60"x36"

INLET SIZES

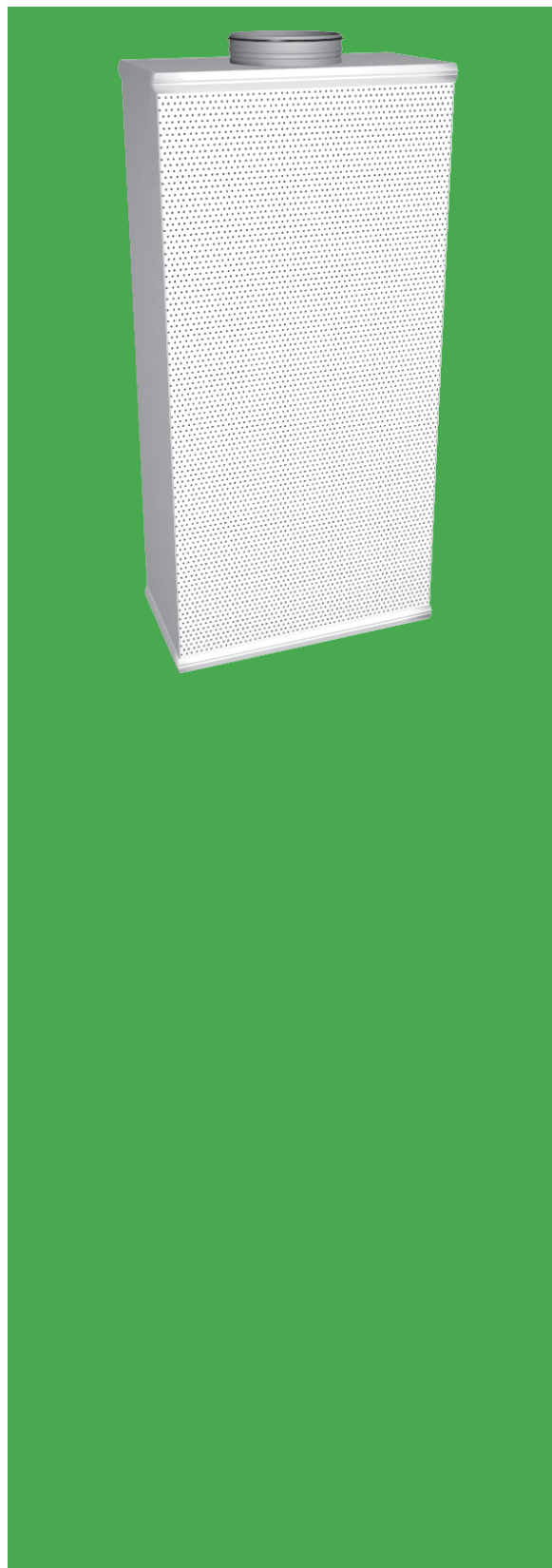
- Round: 6", 8", 10", 12", 16"
- Rectangular: 14"x6", 16"x8", 18"x8", 24"x8"

COMPATIBLE OPTIONS AND ACCESSORIES

- Optional duct connection locations
- 16 gauge front panel
- Stainless steel (AISI 316) design ¹
- Duct cover (solid or perforated)
- Installation base (2", 4", 6")
- Vinyl trim in white or black
- Metal trim (painted to match)

NOTES: Finish code 90 (polished) not available with material code GS (steel).

¹ Material code SS (316 stainless steel) not available with front panel thickness code 16 (16 gauge). Material code SS (316 stainless steel) only available with finish code 90 (polished). If material code SS (stainless steel) is selected, the duct cover and installation base, if selected will be stainless steel.

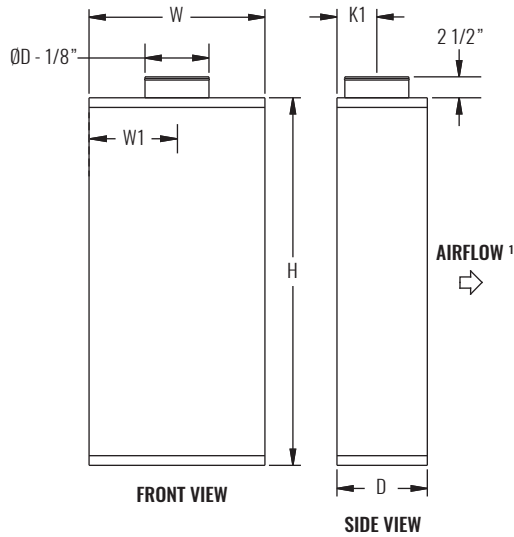


DISPLACEMENT VENTILATION

AFA



DIMENSIONAL DATA



DIMENSIONS						
NOMINAL SIZE W x H	W	H	D	W1	K1	ØD
22" x 21"	21 5/8"	21 3/8"	9 3/4"	10 7/8"	4 1/8"	6"
22" x 45"	21 5/8"	45"	11 5/16"	10 7/8"	4 7/8"	8"
26" x 53"	26"	53 1/4"	13 1/8"	13"	5 7/8"	10"
33" x 63"	32 11/16"	63 1/8"	15 1/2"	16 5/16"	7 3/16"	12"
39" x 79"	39 3/16"	78 7/8"	18 7/8"	19 5/8"	8 5/8"	16"
47" x 79"	47 1/16"	78 7/8"	15 7/16"	23 1/2"	7 7/8"	40x12"
24" x 24"	24"	24"	13"	12"	6 1/2"	8", 10", 14"x6"
24" x 48"	24"	48"	13"	12"	6 1/2"	8", 10", 14"x6", 16"x8"
24" x 60"	24"	60"	13"	12"	6 1/2"	8", 10", 14"x6", 16"x8"
36" x 48"	36"	48"	16"	18"	8"	10", 12", 16"x8"
36" x 60"	36"	60"	16"	18"	8"	10", 12", 16"x8", 18"x8", 24"x8"
48" x 24"	48"	24"	13"	24"	6 1/2"	8", 10", 14"x6", 16"x8"
48" x 36"	48"	36"	16"	24"	8"	10", 12", 16"x8", 18"x8"
60" x 24"	60"	24"	13"	30"	6 1/2"	8", 10", 14"x6", 16"x8"
60" x 36"	60"	36"	16"	30"	8"	10", 12", 16"x8", 18"x8"

NOTE:
¹ Airflow is dependent on discharge pattern selected.

PERFORMANCE AND DESIGN DATA

SIZE	PERFORMANCE		
	NOMINAL W x H	CFM RANGE	NC RANGE
22" x 21"	64 - 200	11 - 30	3.9 - 7.9
21" x 45"	106 - 300	11 - 29	5.9 - 9.2
26" x 53"	212 - 475	10 - 29	7.2 - 10.5
33" x 63"	339 - 775	11 - 30	7.9 - 11.2
39" x 79"	636 - 1200	17 - 30	8.5 - 11.2
47" x 79"	1060 - 2400	15 - 30	9.9 - 14.5

DESIGN	
PARAMETERS	COOLING
SUPPLY AIR TEMPERATURE	65 - 68°F
RECOMMENDED FACE VELOCITY	40 FPM
MAX FLOOR COVERAGE DISTANCE	30 ft

NOTES: Information shown is abbreviated. See website for complete information. Performance shown is based on the following operating conditions: 75°F, 50% relative humidity room design temperature. The "Near Zone Range" provides the distance in feet, measured from the face of the diffuser to where the discharge air drops down to 1" above floor level. Units are tested in accordance with the following standards: Air Flow Rate EN-ISO 5167-1 and Sound Power Level EN-ISO 7235.