

MODEL

- AFR - Recessed, low velocity displacement diffuser for wall and stair riser applications

FEATURES

- 20 gauge front panel
- 10% free area perforated face and baffle
- Horizontal, low velocity discharge at floor level
- Detachable panel enables cleaning of the unit and duct work
- Spring clips included

UNIT SIZES

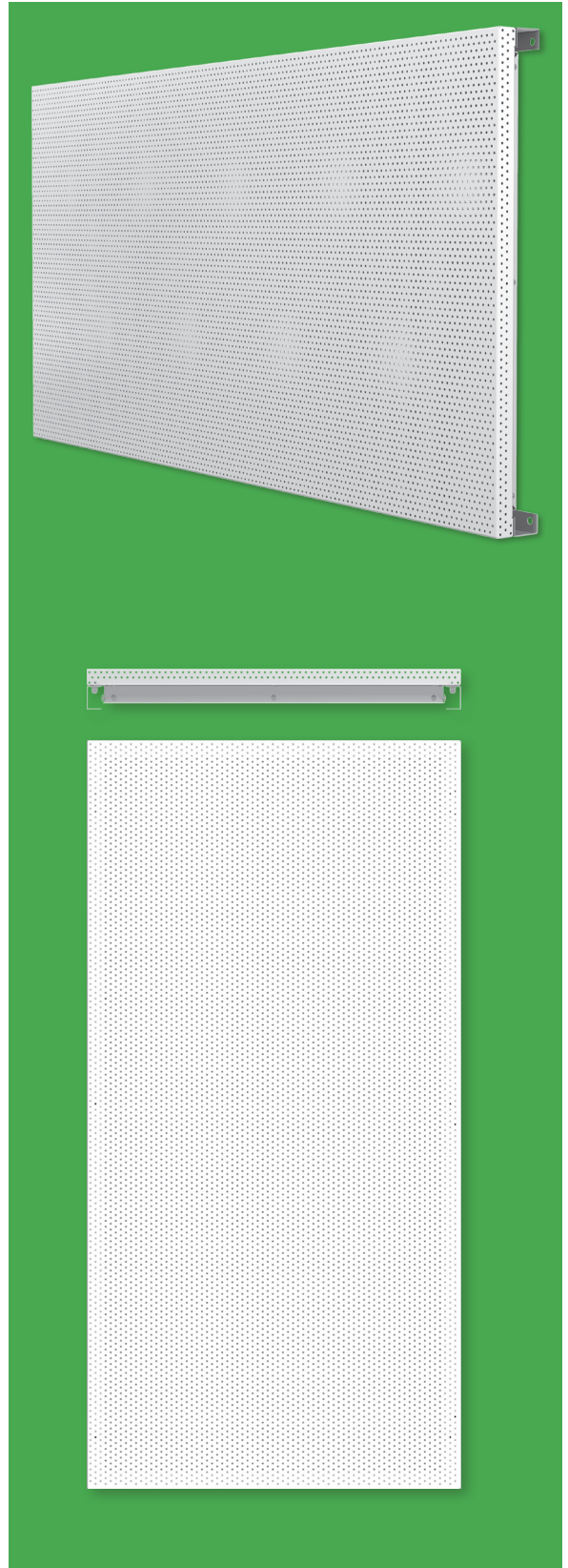
- Width: 8" - 48" (1" increments)
- Height: 4" - 24" (1" increments)

COMPATIBLE OPTIONS AND ACCESSORIES

- Stainless steel (AISI 316) design ¹
- 16 gauge front panel
- Wall frame (long edge only)

NOTES:

- ¹ Material code SS (316 stainless steel) not available with front panel thickness code 16 (16 gauge).

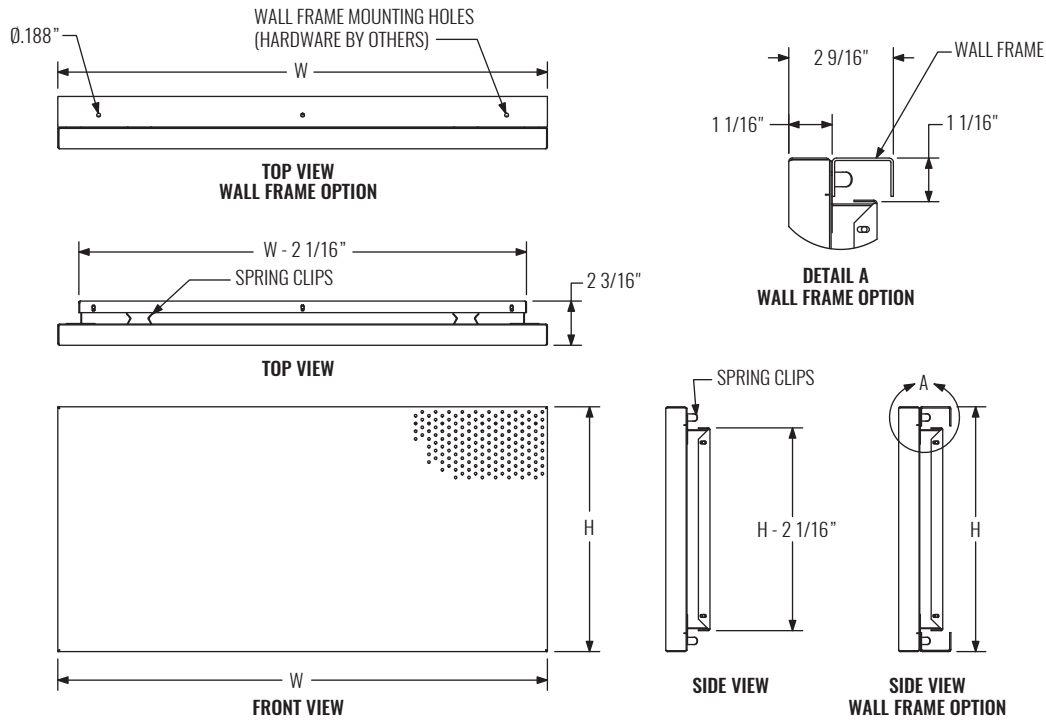


DISPLACEMENT VENTILATION

AFR

WEB SEARCH: AFR

DIMENSIONAL DATA



NOTES: Width (W) is 8" - 48" in 1" increments. Height (H) is 4" - 24" in 1" increments.

PERFORMANCE AND DESIGN DATA

PERFORMANCE				DESIGN	
SIZE	CFM RANGE	NC RANGE	NEAR ZONE RANGE (ft)	PARAMETERS	COOLING
24" x 4"	13 - 33	< 10	4 - 13	SUPPLY AIR TEMPERATURE	65 - 68°F
24" x 6"	20 - 50	< 10	5 - 14	RECOMMENDED FACE VELOCITY	40 FPM
24" x 8"	27 - 67	10 - 11	6 - 13	MAX FLOOR COVERAGE DISTANCE	30 ft
24" x 12"	40 - 100	10 - 13	6 - 15		
24" x 24"	80 - 200	11 - 16	6 - 16		
36" x 24"	120 - 300	11 - 14	7 - 17		
48" x 24"	160 - 400	10 - 12	8 - 18		

NOTES: Information shown is abbreviated. See website for complete information. Performance shown is based on the following operating conditions: 75°F, 50% relative humidity room design temperature. The "Near Zone Range" provides the distance in feet, measured from the face of the diffuser to where the discharge air drops down to 1" above floor level. Units are tested in accordance with the following standards: Air Flow Rate EN-ISO 5167-1 and Sound Power Level EN-ISO 7235.