

**MODEL**

- 5RF - Flush face critical room supply diffuser; aluminum construction
- 9RF - Flush face critical room supply diffuser; stainless steel construction

**FEATURES**

- 90° and 180° discharge air patterns
- Removable flush face
- High volume, draft free

**INLET SIZES**

- Round: 8", uses 24"x24" panel size only
- Round: 10", uses 24"x24" and 48"x24" panel sizes
- Round: 12", uses 48"x24" panel size only

**FRAME STYLES**

- F22 - Surface mount <sup>1</sup>
- F23 - Lay-in T-bar

**PANEL SIZES**

- 24"x24"
- 48"x24"

**COMPATIBLE OPTIONS AND ACCESSORIES**

- Surface mounting frames

**NOTES:**

<sup>1</sup> F22 includes separate plaster frame, shipped loose for field installation (model 5HCF23).



RADIAFLO™ 90°, 1-WAY



RADIAFLO™ 180°, 2-WAY



CRITICAL ENVIRONMENT

RADIAFLO (5RF / 9RF)

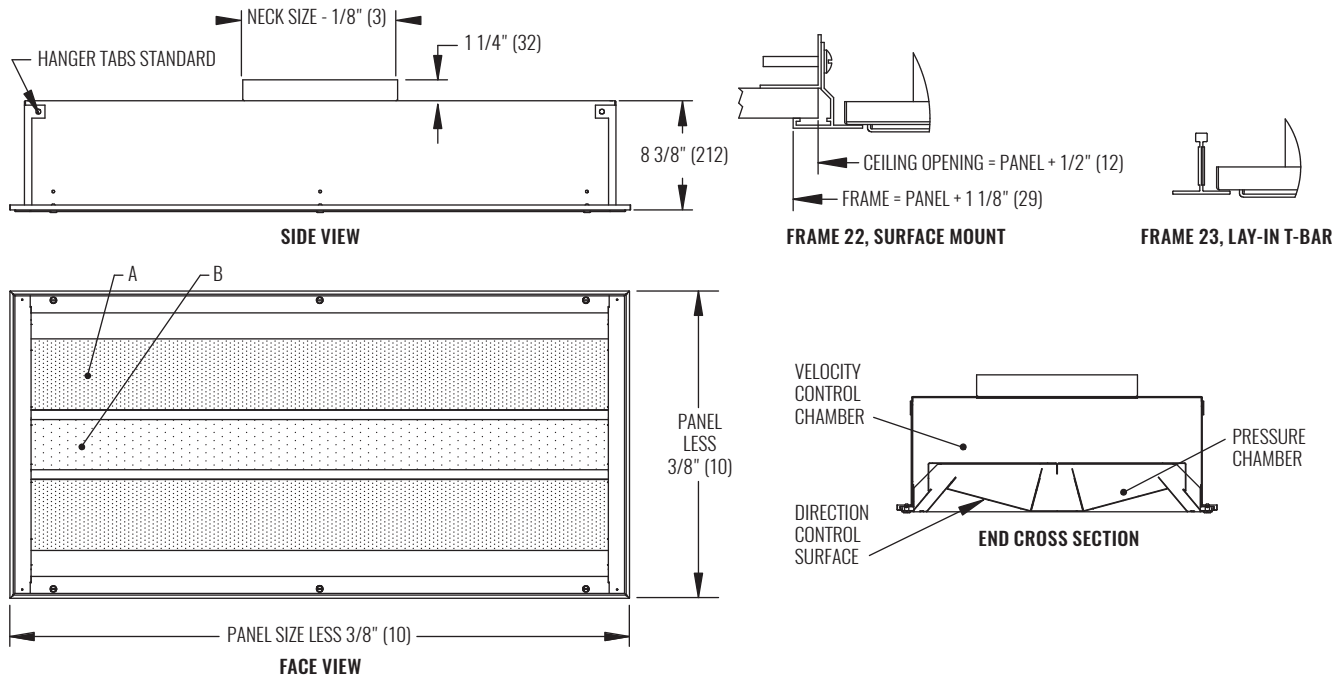
**WEB SEARCH: 5RF or 9RF**

# RADIAFLO (5RF / 9RF)

Critical Room, Flush Face Diffuser



## DIMENSIONAL DATA



NOTES: Dimensions in parentheses are millimeters (mm). 180°, 2-way throw shown; 90°, 1-way throw is available.

## PERFORMANCE DATA

| PATTERN AND SIZE |            |     | PERFORMANCE       |                 |                 |           |           |          |                  |    |     |          |    |             |
|------------------|------------|-----|-------------------|-----------------|-----------------|-----------|-----------|----------|------------------|----|-----|----------|----|-------------|
| THROW PATTERN    | PANEL SIZE |     | INLET DIA.<br>in. | NECK VEL<br>FPM | AIR FLOW<br>CFM | Pt<br>"WG | Ps<br>"WG | ΔT<br>°F | THROW (ft @ FPM) |    |     |          |    | SOUND<br>NC |
|                  | W          | L   |                   |                 |                 |           |           |          | HORIZONTAL       |    | MAX | VERTICAL |    |             |
|                  | in.        | in. |                   |                 |                 |           |           |          | 100              | 50 | 50  | 100      | 50 |             |
| 180°             | 24         | 24  | 8                 | 1146            | 400             | 0.131     | 0.049     | -5       | 2                | 4  | 7   | 3        | 5  | 32          |
|                  | 24         | 24  | 8                 | 1146            | 400             | 0.131     | 0.049     | -15      | 2                | 5  | 8   | 7        | 8  | 32          |
|                  | 24         | 24  | 10                | 963             | 525             | 0.126     | 0.069     | -5       | 3                | 5  | 8   | 3        | 6  | 30          |
|                  | 24         | 24  | 10                | 963             | 525             | 0.126     | 0.069     | -15      | 4                | 6  | 9   | 8        | 9  | 30          |
|                  | 24         | 48  | 10                | 1193            | 650             | 0.163     | 0.074     | -5       | 2                | 3  | 6   | 4        | 6  | 32          |
|                  | 24         | 48  | 10                | 1193            | 650             | 0.163     | 0.074     | -15      | 2                | 3  | 9   | 5        | 9  | 32          |
|                  | 24         | 48  | 12                | 1070            | 800             | 0.160     | 0.089     | -5       | 4                | 5  | 9   | 3        | 6  | 29          |
|                  | 24         | 48  | 12                | 1070            | 800             | 0.160     | 0.089     | -15      | 4                | 6  | 9   | 7        | 9  | 29          |

NOTES: Information shown is abbreviated. See Krueger website for complete information. Throw values are given for isothermal conditions and terminal velocities of 100 and 50 FPM (0.50 and 0.25 m/s). NC values are based on octave band 2 - 7 sound power levels minus a room absorption of 10dB, re 10<sup>-12</sup> Watts. Data was obtained from tests conducted in accordance with ANSI/ASHRAE Standard 70, ISO Standard 5219, and ISO Standard 3741.

CRITICAL ENVIRONMENT

RADIAFLO (5RF / 9RF)

© Copyright Krueger 2018