

**MODEL**

- 5000HF - Laminar flow panel with gel seal HEPA filter brackets
- 5FILTER - HEPA filter for 5000HF

**FEATURES**

- Low velocity, non-aspirating
- Aluminum or stainless steel construction
- Quick opening (1/4 turn) fasteners permit complete removal of the face
- Fast, easy room-side HEPA filter removal
- Safety cables (2) prevent accidental dropping of face
- Ideal for use in restricted budget surgery areas, pharmaceutical manufacturing, industrial, electronic, aerospace, and other clean room applications

**INLET SIZES**

- Round: 8" - 12" (2" increments)

**FRAME STYLES**

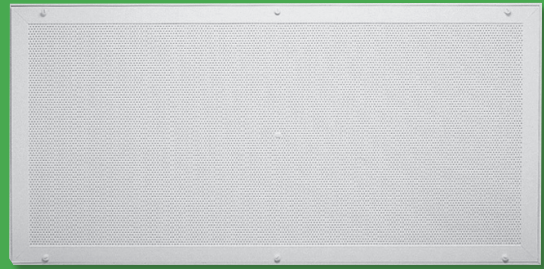
- F22 - Surface mount
- F23 - Lay-in T-bar

**PANEL SIZES**

- 24"x24"
- 24"x36"
- 48"x24"

**COMPATIBLE OPTIONS AND ACCESSORIES**

- Integral T5 lights
- External insulation



CRITICAL ENVIRONMENT

5000HF



# 5000HF

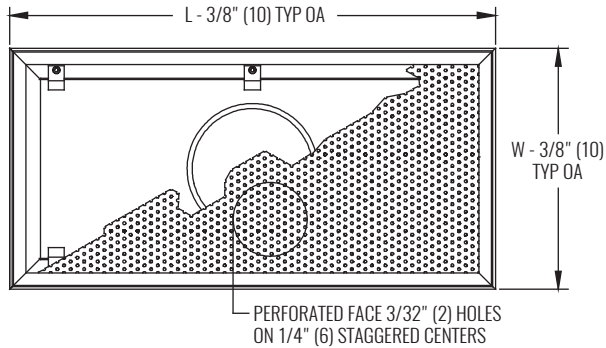
Laminar Flow Panel with HEPA Filter



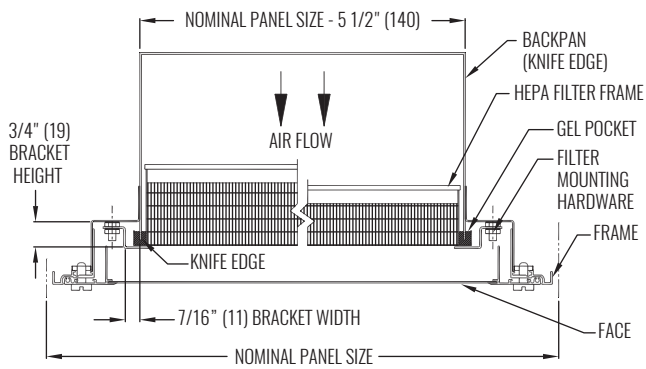
CRITICAL ENVIRONMENT

5000HF

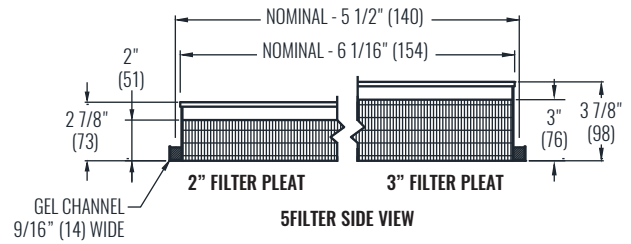
## DIMENSIONAL DATA



FACE VIEW



5FILTER INSTALLATION VIEW



5FILTER SIDE VIEW

DIMENSIONS			
NOMINAL UNIT SIZE		NOMINAL INLET SIZE	
L	W	D	H
24" (610)	24" (610)	8" (203)	7" (178)
		10" (254)	7 3/4" (197)
36" (914)	24" (610)	8" (203)	7 3/8" (187)
		10" (254)	8 1/8" (206)
		12" (305)	8 7/8" (225)
48" (1219)	24" (610)	10" (254)	7 3/4" (197)
		12" (305)	8 1/2" (216)

NOTES: Dimensions in parentheses are millimeters (mm). Dimensional data shown is for a 48"x24" panel. See Krueger's website for additional panel sizes.

## PERFORMANCE DATA

SIZE	PERFORMANCE						
	FLOW RATE	Ps	VELOCITY @ 6' BELOW PANEL				NC
			5° FΔT	10° FΔT	15° FΔT	20° FΔT	
CFM/ft <sup>2</sup>	"WG	FPM	FPM	FPM	FPM		
SINGLE PANEL	10	0.008	20	25	30	35	<20
	20	0.032	35	40	45	55	<20
	30	0.072	50	60	70	80	21
	40	0.128	65	80	95	105	25
15-30 ft <sup>2</sup>	10	0.008	20	30	30	35	<20
	20	0.032	35	45	50	60	22
	30	0.072	50	65	80	90	26
	40	0.128	70	90	105	-	30
Over 30 ft <sup>2</sup>	10	0.008	25	30	35	40	21
	20	0.032	40	50	60	65	25
	30	0.072	60	75	90	100	29
	40	0.128	80	100	N/A	N/A	33

NC CORRECTIONS									
ft <sup>2</sup> OF PANELS	4	8	16	24	32	40	48	64	>64
m <sup>2</sup> OF PANELS	0.4	0.7	1.5	2.2	3.0	3.7	4.5	6.0	>6
NC CORRECTION	-3	0	3	5	6	7	8	9	10

NOTES: Information shown is abbreviated. See Krueger website for complete information. Data was obtained from tests conducted in accordance with ANSI/ASHRAE Standard 70, ISO Standard 5219, and ISO Standard 3741.

NOTES: Data is based on a 24" x 48" 5000 with 12" inlet and full, open damper. NC is based on a 10dB room attenuation sound power re 10<sup>-12</sup> Watts. Multiple panels will add to the sound level. See the table to the left for corrections.

© Copyright Krueger 2018