

**INTRODUCTION**

The 9EGC5 egg-crate grille features a 1/2" x 1/2" x 1/2" stainless steel core with 1-3/8" flange. This allows large amounts of air to be returned through the grille while minimizing the pressure drop and sound. Surface mount and lay-in T-bar configurations are available.

**MODEL**

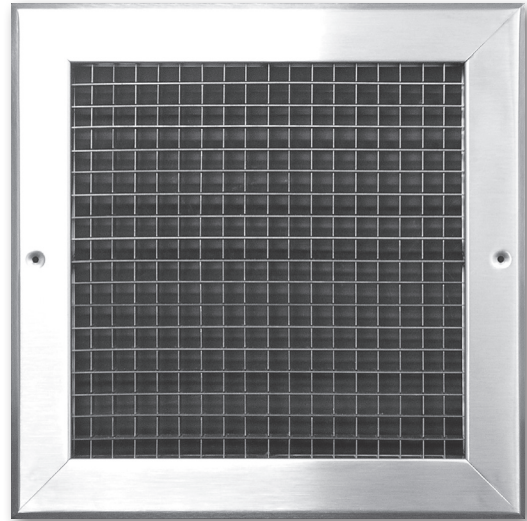
9EGC5 - 1/2"x1/2"x1/2" Stainless Steel Cube Core Return Grille with 1 3/8" Flange

**FEATURES**

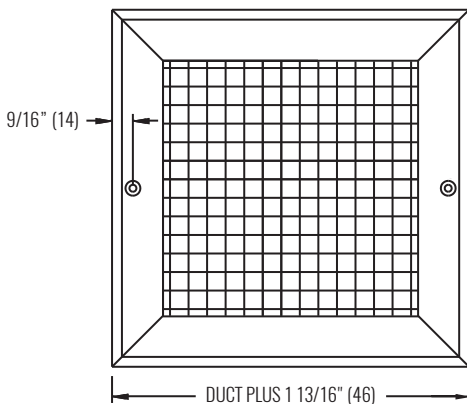
- 304 Stainless steel construction (316 optional)
- 1/2" x 1/2" x 1/2" core
- Countersunk screw holes
- Standard finish is 90 - #4 Satin Polish or 44 - British White

**ACCESSORIES**

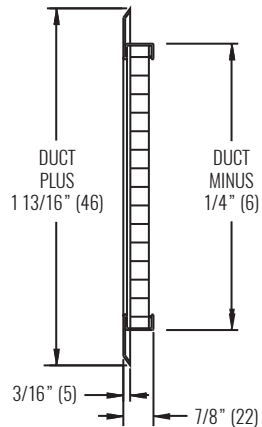
- Stainless steel OBD welded to unit, adjustable from face of grille (model 9OBD)
- Plaster frame (model 98PF)
- Square to round adapter (9SRA)



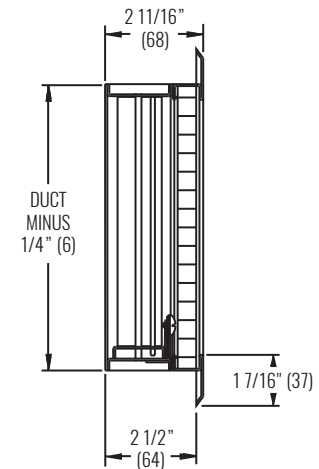
**DIMENSIONAL DATA**



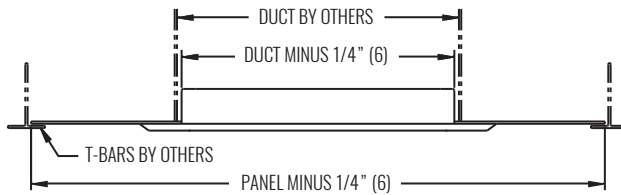
FACE VIEW



SIDE VIEW: FRAME 22, SURFACE MOUNT



SIDE VIEW: FRAME 22, SURFACE MOUNT (SHOWN WITH OBD)



SIDE VIEW: FRAME 23, LAY-IN T-BAR

**NOTE:** Dimensions in parentheses are millimeters (mm).