

INTRODUCTION

The 9700 series transfer grilles are designed to ensure visual privacy while providing air circulation from one area to another. The 9700 provides a single side mounting frame for use where appearance is an issue on only one side, as in a utility or storage closet. The 9700A provides a double sided mounting frame (with no deflectors) to fit varying door thickness (minimum 2"), where a finished look is required on both sides, as in an office or kitchen door. The 9700D is a double core configuration to give the appearance of a finished grille on both sides. The sight-proof blade configuration and unobtrusive appearance make Krueger's 9700 series grille an ideal choice for wall or door air transfer from room to room.

MODELS

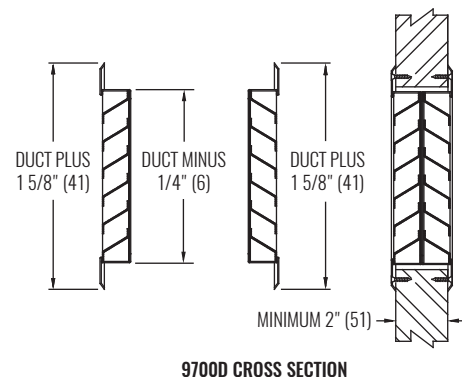
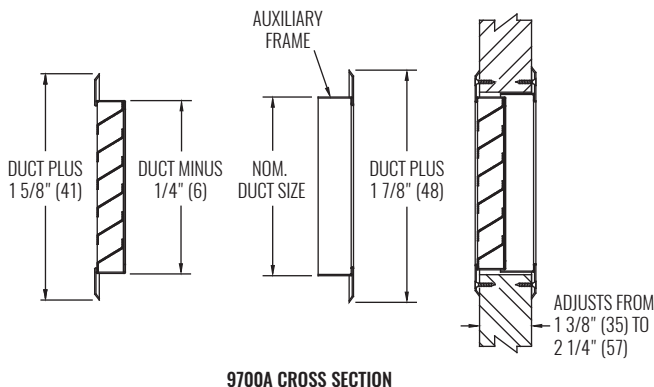
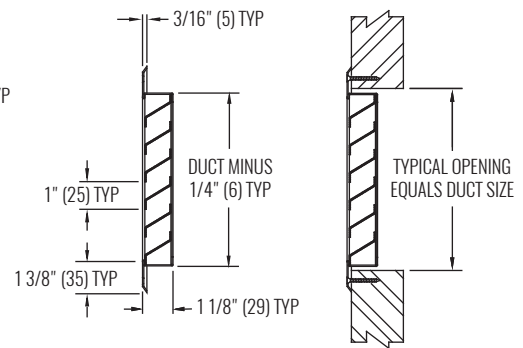
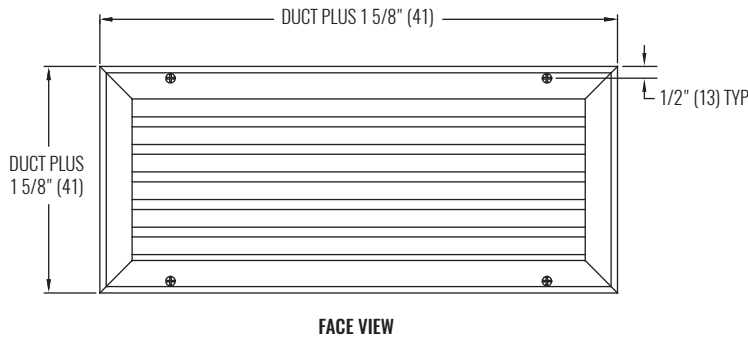
- 9700 - Single core with beveled frame
- 9700A - Single core with 1 3/8" margin auxiliary frame, adjusts to fit door thickness from 1 3/8" to 2 1/4"
- 9700D - Double core with beveled frame, minimum door thickness of 2"

FEATURES

- 304 Stainless steel construction (316 optional)
- Standard finish is 90 - #4 Satin Polish or 44 - British White



DIMENSIONAL DATA



NOTE: Dimensions in parentheses are millimeters (mm).

9700, 9700A, 9700D

Stainless Steel Supply Grilles, Sightproof



ENGINEERING SPECIFICATION & CONFIGURATION

9700

The door grille shall be a Krueger model 9700. This grille shall have 20 gage, 304 stainless steel louvered blades spaced no further than 1" apart to provide a sight-proof barrier. The frame of the grille must be constructed of 20 gage 304 stainless steel and have countersunk screw holes. This frame must also produce a border of 1 3/8" around all sides of the grille with mitered corners.

9700A

Model 9700A is the same as 9700 but comes with a 18 gage 304 stainless steel auxiliary frame for mounting on the back side of the door grille.

9700D

Model 9700D is the same as 9700 but comes with a second core and frame constructed of 304 stainless steel with 20 gage louvered blades and 18 gage frame for mounting on the back side of the door grille to provide a sight-proof barrier.

Optional 316 stainless steel construction available.

FINISH

The finish shall be 90 - #4 Satin Polish, obtained by finishing with a 120-grit abrasive, or 44 - British White.

1. SERIES: (XXXXX)

9700 - Single Core Door Grille
9700A - Single Core Door Grille with Auxiliary Frame
9700D - Double Core Door Grille

2. PATTERN: (X)

H - Horizontal Front Blades
V - Vertical Front Blades

3. WIDTH: (XX)

4" - 48" in 1" Increments

4. HEIGHT: (XX)

4" - 60" in 1" Increments

5. MATERIAL: (XXX)

304 - Stainless Steel Grade 304
316 - Stainless Steel Grade 316

6. FINISH: (XX)

90 - #4 Satin Polish
44 - British White

SAMPLE CONFIGURATION: 9700 - H - 12x12 - 304 - 90