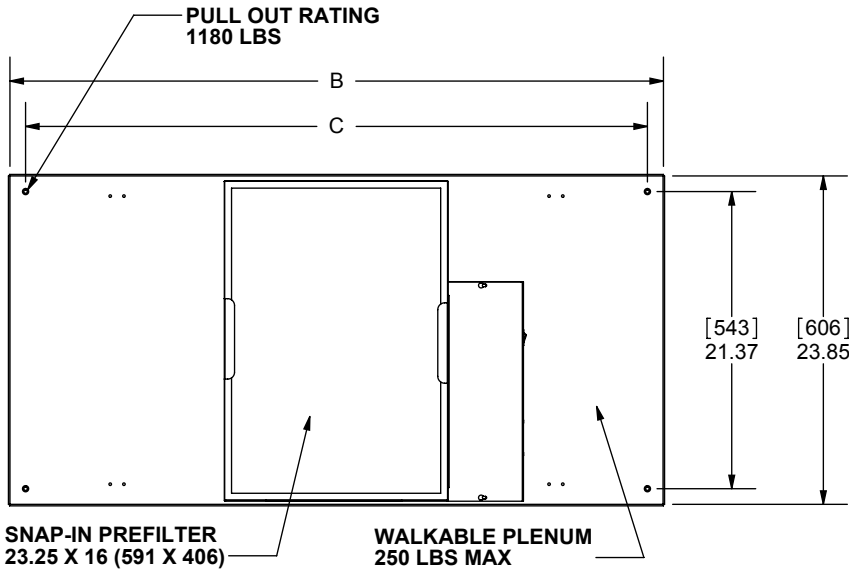
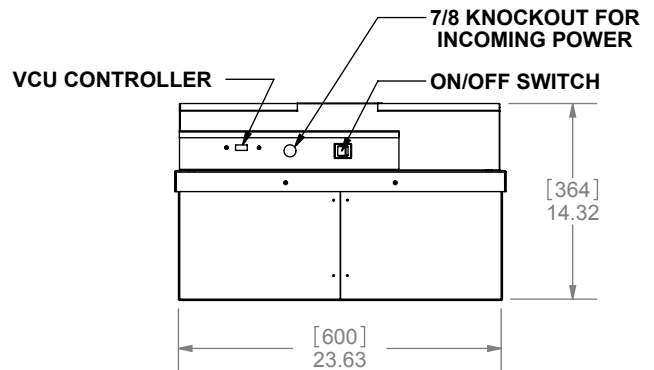
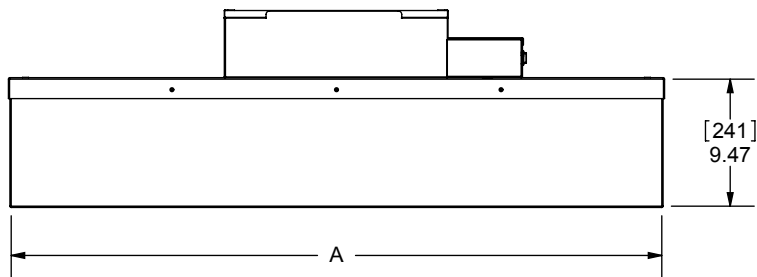
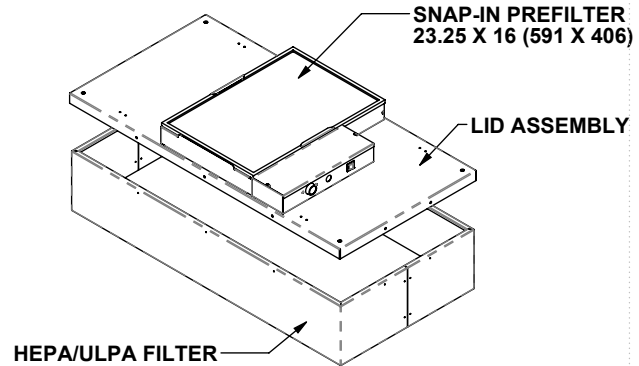


CRFF-B
With HEPA Filter, Backward Inclined Fan, and ECM
SUBMITTAL SHEET


PANEL SIZE	A	B	C	WEIGHT LB (kg)
24 X 24	23.63 (600)	23.85 (606)	21.37 (543)	41 (19)
24 X 48	47.63 (1210)	47.85 (1215)	45.37 (1152)	66 (30)


Features:

- Snap-In Prefilter**
- Backward Inclined Centrifugal Fan**
- Lay-in Frame (Surface mount requires Accessory 4 option selected)**
- Meets UL507, UL900, IEST Recommended Practices**
- Motor programmed to deliver constant airflow**
- Power consumption of 105 Watts**

Available Parts (Ordered Separately):

- Round Duct Collar 10" (p/n:10691) or 12" (p/n:10789)**
- 115V Power Cord (p/n:S24344-001) (non-UL)**
- Replacement Prefilter (p/n:62981)**
- Wall Mounted Control Console for up to 25 Units (p/n:63971-002)**
- Wall Mounted Control Console Power Supply (p/n:63973)**

Options:

- ECM Motor**
 - 115V (5.0 FLA)
 - 208-240V (3.0 FLA)
 - 277V (2.5 FLA)
- Filter**
 - HEPA 99.99% @ 0.3 Micron UL900
 - ULPA 99.9995% @ 0.12 Micron UL900
 - Unit must be removed from ceiling to replace filter
- Control Type**
 - Universal Control Card (Manual pre-set, 0-10V, Modbus RTU)
 - IR Control Card (Also requires PN 63760)
 - Remote Mounted (Comes with PN 11166-001)

Accessories

- Filter Indicator Light (red)
- Challenge/Pressure Ports
- Run Indicator Light (green)
- Continuous Filter Monitor
- Insulation
- Surface Mount Frame

Finish

- 01 Mill Aluminum Casing with White Diffuser Screen
- 44 White Aluminum Casing with White Diffuser Screen
- 90 304 SS Casing with 304 SS Diffuser Screen
- 91 Mill Aluminum Casing with 304 SS Diffuser Screen