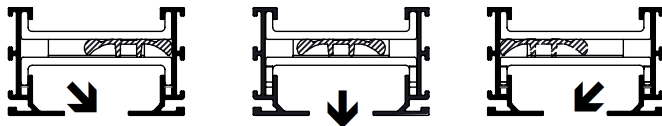


DIMENSIONS ARE GIVEN AS INCHES [MM]



LINEAR SLOT PATTERN CONTROLLER ADJUSTMENT

**STANDARD CONSTRUCTION:**

- FLUSH MOUNT SUSPENDED CEILING INSTALLATION
- DUAL PLENUM DESIGN PROVIDES HEAT-COOL CHANGEOVER
- COOL AIR SUPPLIED BY PERFORATED FACE DISPLACEMENT UNIT
- HOT AIR SUPPLIED BY 1 - SLOT OR 2 - SLOT DFL LINEAR SLOT DIFFUSER
- SLOT DIFFUSER PROVIDED WITH ADJUSTABLE PATTERN CONTROLLERS

**NOTES**

1. INLET IS ALWAYS OPPOSITE OF SLOT LOCATION.
2. INLET SIZE 24X6 NOT AVAILABLE ON PANEL SIZE 24X24.
3. INLET SIZE 24X6 ONLY AVAILABLE WITH SLOT LOCATION ON 48" SIDE.
4. SLOT LOCATION 48 ONLY AVAILABLE WITH 24X48 PANEL SIZE.
5. FRAME F22 OPTION INCLUDES SEPERATE 5HCF23 SHIPPED LOOSE FOR FIELD INSTALLATION.
6. SEE PAGE 2 FOR CONFIGURATION VIEWS

**NOMINAL WIDTH & HEIGHT OPTIONS (WxH)**

- 24x24
- 24x48

**NOMINAL INLET SIZES**

- 12x6
- 24x6

**NUMBER OF LINEAR SLOTS**

- 1 SLOT
- 2 SLOT

**INSULATION OPTION**

- NO INSULATION
- 1/2" EXTERNAL FOIL FACED INSULATION

**SLOT LOCATIONS**

- SLOT ON 24" SIDE
- SLOT ON 48" SIDE

**FRAME OPTIONS**

- F22-SURFACE MOUNT
- F23-LAY-IN T-BAR

**ACTUATOR OPTIONS**

- NO ACTUATOR
- HONEYWELL ML6161

**ACCESSORIES**

- NO ACCESSORY
- AIR FLOW SENSOR

**FINISH:**

- BRITISH WHITE
- SPECIAL

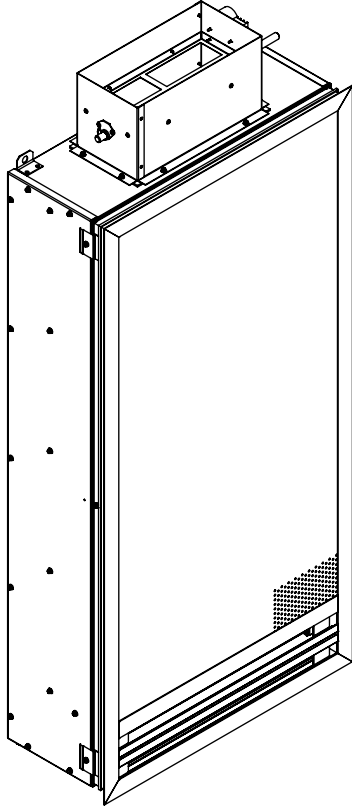
## AFH

CEILING MOUNTED HEATING/COOLING  
CHANGEOVER DISPLACEMENT DIFFUSER

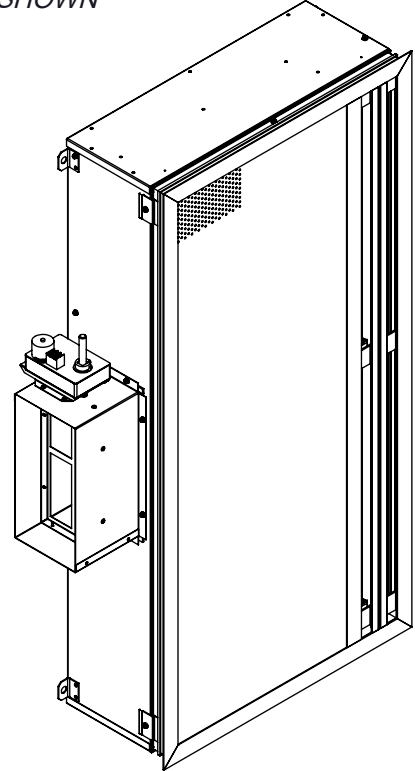
JOB NAME \_\_\_\_\_  
ENGINEER \_\_\_\_\_  
CONTRACTOR \_\_\_\_\_  
TAG \_\_\_\_\_

## SUBMITTAL SHEET

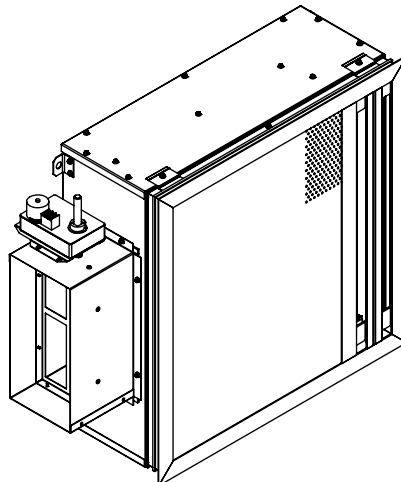
- AFH 24X48**  
**12X6 INLET LOCATED ON 24" SIDE**  
*2 SLOT SHOWN*



- AFH 24X48**  
**24X6 INLET LOCATED ON 48" SIDE**
- AFH 24X48**  
**12X6 INLET LOCATED ON 48" SIDE**  
*2 SLOT SHOWN*



- AFH 24X24**  
**12X6 INLET**  
*2 SLOT SHOWN*



DIMENSIONS ARE GIVEN AS INCHES [MM]

Revision Date: **06/21/2024**

Form: **DS7100.1**

Replaces: **DS7100**

Product Information is Subject to Change Without Notice