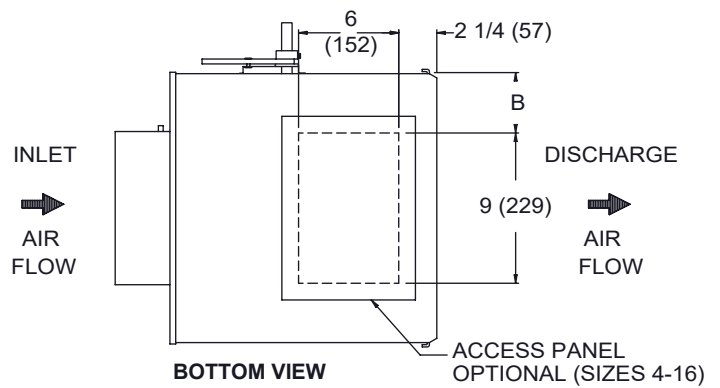
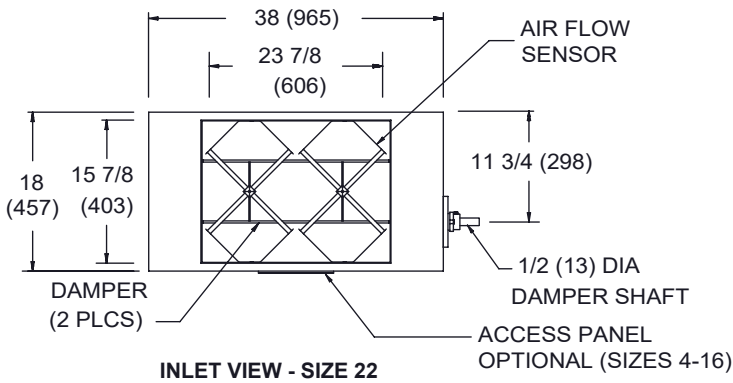
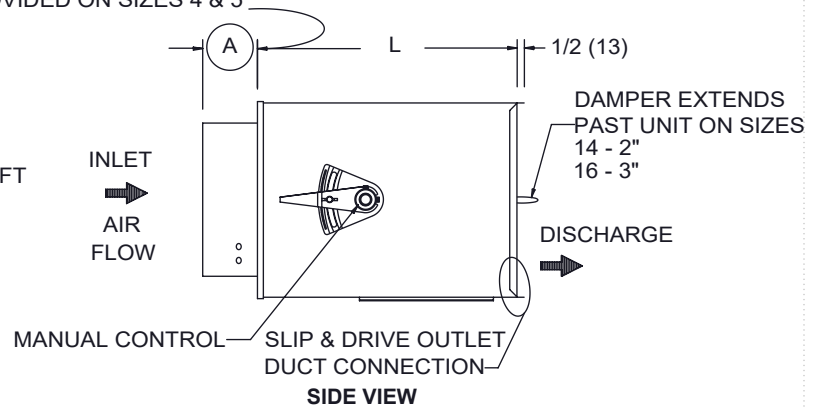
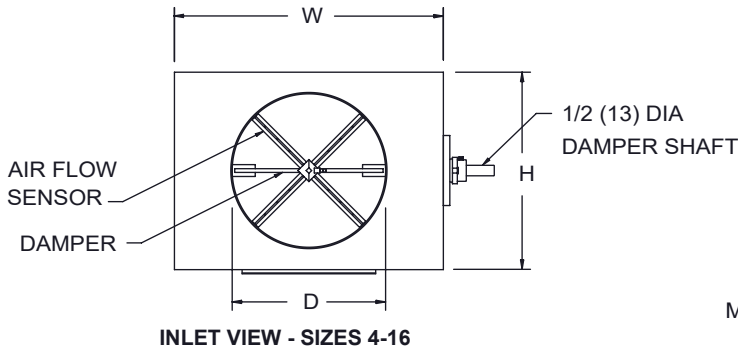


LMHS MANUAL CONTROL

SUBMITTAL SHEET

CHARTED 'A' DIMENSION INCLUDES INLET ADAPTER PROVIDED ON SIZES 4 & 5



STANDARD FEATURES:

- 22 Ga. Zinc coated steel construction.
- Manual adjusting quadrant for adjustment of damper position.
- 1/2" thick dual density fiberglass insulation meeting **NFPA 90A** and **UL 181** safety requirements.
- Four quadrant averaging cross flow sensor
- AHRI certified sound ratings

NOTE: Right hand configuration shown, left hand available.

OPTIONAL FEATURES:

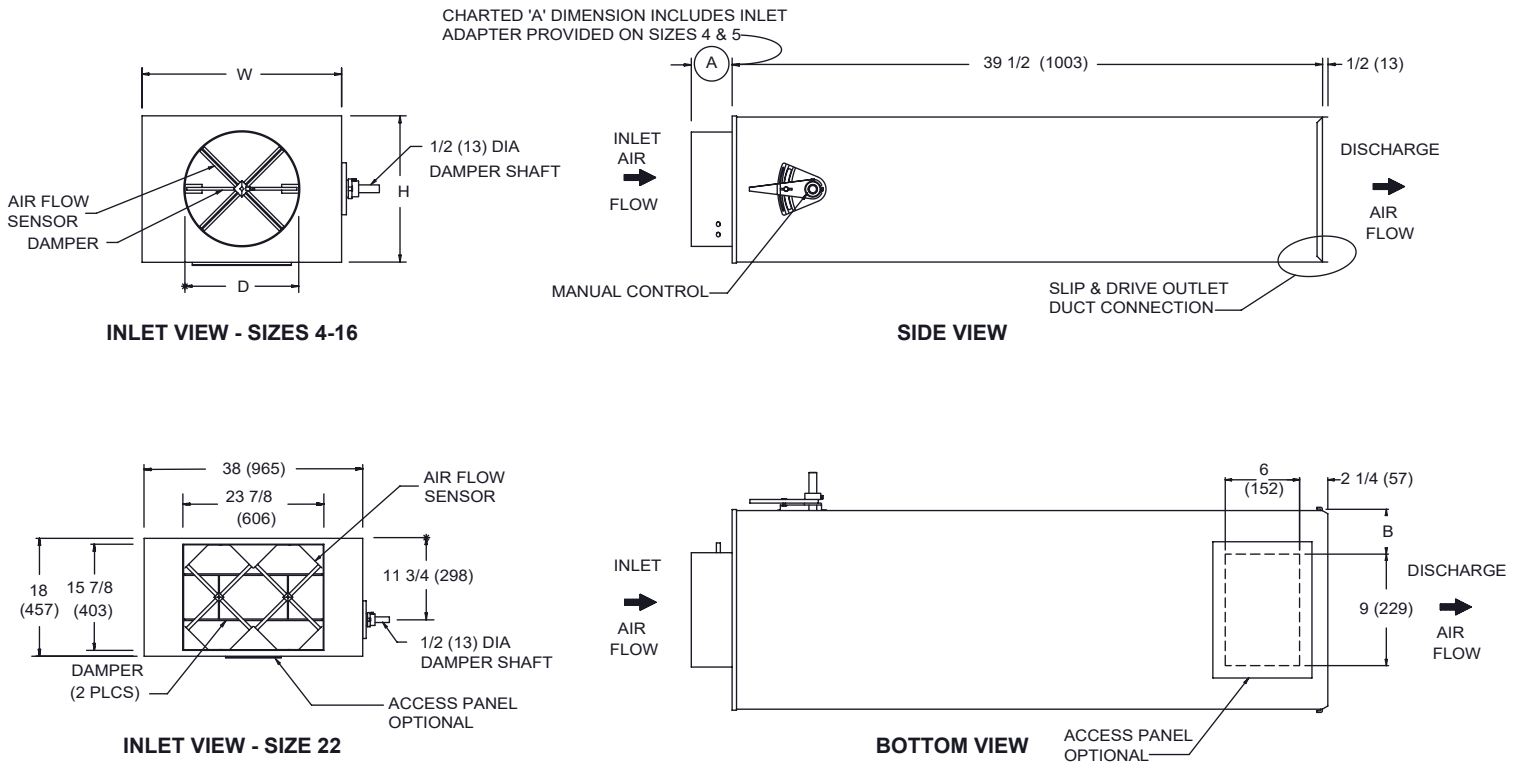
- 20 Ga. Zinc coated steel construction
- Liners:
 - 1/2" dual density fiberglass
 - 1" dual density fiberglass
 - Perforated double wall 1/2"
 - Perforated double wall 1"
 - 1/2" Cellular - fibre free
 - None
 - Steriliner
 - Sterilwall 1/2"
 - Sterilwall 1"
 - 1" Cellular - fibre free
- Linear averaging sensor.
- Left hand controls
- Right hand controls
- Hanger Brackets
- Bottom access panel (not available in size 22)
- Cam lock bottom access panel (not available in size 22)

DIMENSIONS ARE GIVEN AS INCHES (MM)

INLET SIZE	NOM MAX CFM(L/s)	L	W	H	A	B	D
4	230 (109)	15 1/2 (394)	12 (305)	8 (203)	5 3/8 (136)	1 1/2 (38)	3 7/8 (98)
5	360 (170)	15 1/2 (394)	12 (305)	8 (203)	5 3/8 (136)	1 1/2 (38)	4 7/8 (124)
6	520 (245)	15 1/2 (394)	12 (305)	8 (203)	3 3/8 (86)	1 1/2 (38)	5 7/8 (149)
7	710 (335)	15 1/2 (394)	12 (305)	10 (254)	3 3/8 (86)	1 1/2 (38)	6 7/8 (175)
8	925 (437)	15 1/2 (394)	12 (305)	10 (254)	3 3/8 (86)	1 1/2 (38)	7 7/8 (200)
9	1200 (566)	15 1/2 (394)	14 (356)	12 1/2 (318)	3 3/8 (86)	2 1/2 (64)	8 7/8 (225)
10	1450 (685)	15 1/2 (394)	14 (356)	12 1/2 (318)	3 3/8 (86)	2 1/2 (64)	9 7/8 (251)
12	2100 (991)	15 1/2 (394)	16 (406)	15 (381)	3 3/8 (86)	3 1/2 (89)	11 7/8 (302)
14	2900 (1369)	15 1/2 (394)	20 (508)	17 1/2 (445)	3 3/8 (86)	5 1/2 (140)	13 7/8 (352)
16	3700 (1746)	15 1/2 (394)	24 (610)	18 (457)	3 3/8 (86)	7 1/2 (191)	15 7/8 (403)
22	7100 (3351)	15 (381)	38 (965)	18 (457)	4 1/4 (108)	NA	SEE ABOVE

LMHS MANUAL CONTROL

SUBMITTAL SHEET



STANDARD FEATURES:

- 22 Ga. Zinc coated steel construction.
- Manual adjusting quadrant for adjustment of damper position.
- 1/2" thick dual density fiberglass insulation meeting **NFPA 90A** and **UL 181** safety requirements.
- Four quadrant averaging cross flow sensor.

NOTE: Right hand configuration shown, left hand available.

OPTIONAL FEATURES:

- 20 Ga. Zinc coated steel construction
- Liners:
 - 1/2" dual density fiberglass
 - 1" dual density fiberglass
 - Perforated double wall 1/2"
 - Perforated double wall 1"
 - 1/2" Cellular - fibre free
 - None
 - Steriliner
 - Sterilwall 1/2"
 - Sterilwall 1"
 - 1" Cellular - fibre free
- Linear averaging sensor.
- Right hand control.
- Left hand control.
- Hanger brackets.
- Bottom access panel
- Cam lock bottom access panel

DIMENSIONS ARE GIVEN AS INCHES (MM)

INLET SIZE	NOM MAX CFM (L/s)	W	H	A	B	D
4	230 (109)	12 (305)	8 (203)	5 3/8 (136)	1 1/2 (38)	3 7/8 (98)
5	360 (170)	12 (305)	8 (203)	5 3/8 (136)	1 1/2 (38)	4 7/8 (124)
6	520 (245)	12 (305)	8 (203)	3 3/8 (86)	1 1/2 (38)	5 7/8 (149)
7	710 (335)	12 (305)	10 (254)	3 3/8 (86)	1 1/2 (38)	6 7/8 (175)
8	925 (437)	12 (305)	10 (254)	3 3/8 (86)	1 1/2 (38)	7 7/8 (200)
9	1200 (566)	14 (356)	12 1/2 (318)	3 3/8 (86)	2 1/2 (64)	8 7/8 (225)
10	1450 (685)	14 (356)	12 1/2 (318)	3 3/8 (86)	2 1/2 (64)	9 7/8 (251)
12	2100 (991)	16 (406)	15 (381)	3 3/8 (86)	3 1/2 (89)	11 7/8 (302)
14	2900 (1369)	20 (508)	17 1/2 (445)	3 3/8 (86)	5 1/2 (140)	13 7/8 (352)
16	3700 (1746)	24 (610)	18 (457)	3 3/8 (86)	7 1/2 (191)	15 7/8 (403)
22	7100 (3351)	38 (965)	18 (457)	4 1/4 (108)	14 1/2 (368)	SEE ABOVE