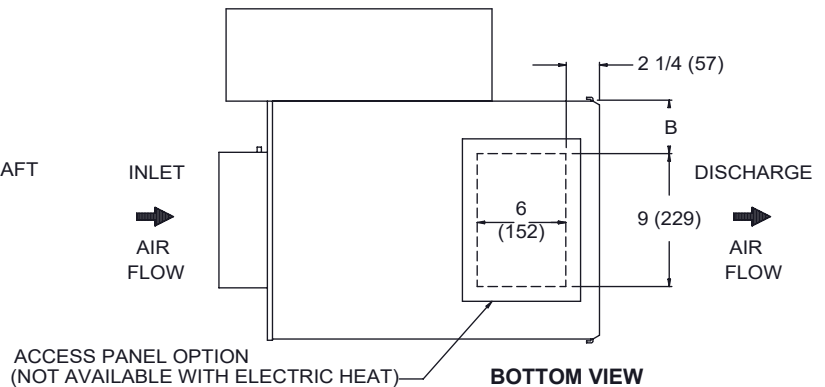
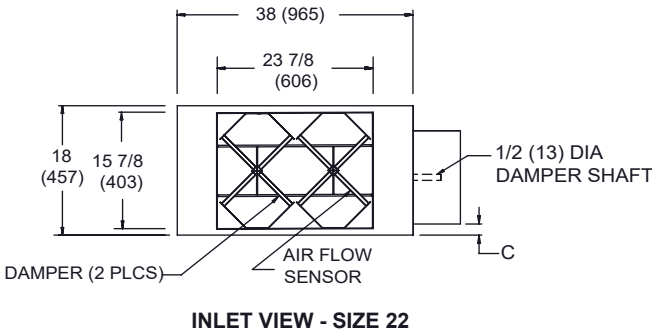
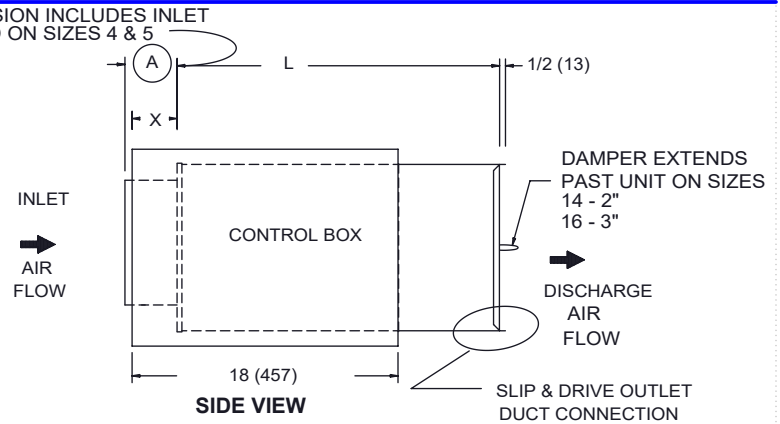
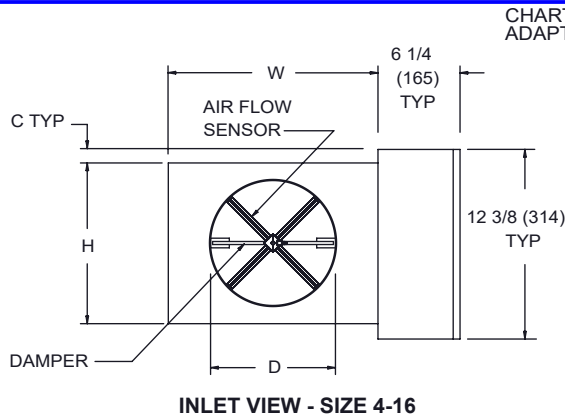


LMHS DIGITAL CONTROLS - BASE UNIT

SUBMITTAL SHEET



STANDARD FEATURES:

- 22 Ga. Zinc coated steel construction.
- **NEMA 1** steel control enclosure for electric or electronic components
- 1/2" thick dual density fiberglass insulation meeting **NFPA 90A** and **UL 181** safety requirements.
- Four quadrant averaging cross flow sensor
- Variety of electric, analog, and digital control packages for pressure dependent and pressure independent systems.
- ETL listed - Adherence to **UL 429** for electrically operated valves.
- **AHRI 880** certified sound ratings

NOTE: Right hand configuration shown, left hand available.

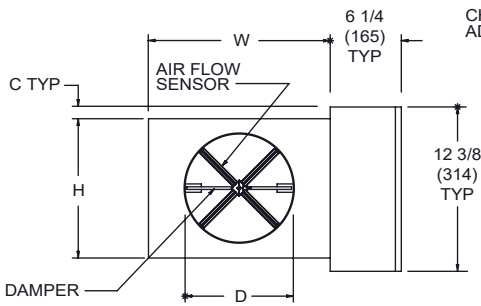
OPTIONAL FEATURES:

- 20 Ga. Zinc coated steel construction
- Liners: 1/2" dual density fiberglass None
- 1" dual density fiberglass Steriliner
- Perforated double wall 1/2" Sterilwall 1/2"
- Perforated double wall 1" Sterilwall 1"
- 1/2" Cellular - fibre free 1" Cellular - fibre free
- Linear averaging sensor.
- 24 Volt transformer
- Disconnect switch for electronic controls. Hanger Brackets
- Dust tight control enclosure.
- Left hand control enclosure.
- Right hand control enclosure.
- Bottom access panel (not available in size 22)
- Cam lock bottom access panel (not available in size 22)

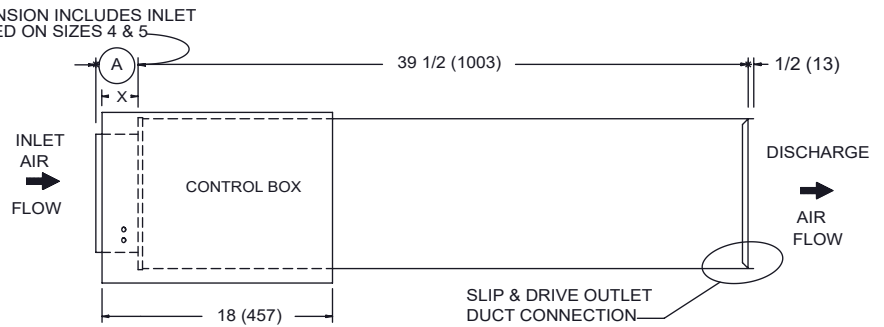
DIMENSIONS ARE GIVEN AS INCHES (MM)

INLET SIZE	NOM MAX CFM(L/s)	L	W	H	A	B	C	D	X
4	230 (109)	15 1/2 (394)	12 (305)	8 (203)	5 3/8 (136)	1 1/2 (38)	2 1/8 (54)	3 7/8 (98)	7 1/4 (184)
5	360 (170)	15 1/2 (394)	12 (305)	8 (203)	5 3/8 (136)	1 1/2 (38)	2 1/8 (54)	4 7/8 (124)	7 1/4 (184)
6	520 (245)	15 1/2 (394)	12 (305)	8 (203)	3 3/8 (86)	1 1/2 (38)	2 1/8 (54)	5 7/8 (149)	7 1/4 (184)
7	710 (335)	15 1/2 (394)	12 (305)	10 (254)	3 3/8 (86)	1 1/2 (38)	1 1/8 (29)	6 7/8 (175)	7 1/4 (184)
8	925 (437)	15 1/2 (394)	12 (305)	10 (254)	3 3/8 (86)	1 1/2 (38)	1 1/8 (29)	7 7/8 (200)	7 1/4 (184)
9	1200 (566)	15 1/2 (394)	14 (356)	12 1/2 (318)	3 3/8 (86)	2 1/2 (64)	-	8 7/8 (225)	5 1/4 (133)
10	1450 (685)	15 1/2 (394)	14 (356)	12 1/2 (318)	3 3/8 (86)	2 1/2 (64)	-	9 7/8 (251)	5 1/4 (133)
12	2100 (991)	15 1/2 (394)	16 (406)	15 (381)	3 3/8 (86)	3 1/2 (89)	-	11 7/8 (302)	5 1/4 (133)
14	2900 (1369)	15 1/2 (394)	20 (508)	17 1/2 (445)	3 3/8 (86)	5 1/2 (140)	-	13 7/8 (352)	3 1/4 (83)
16	3700 (1746)	15 1/2 (394)	24 (610)	18 (457)	3 3/8 (86)	7 1/2 (191)	-	15 7/8 (403)	3 1/4 (83)
22	7100 (3351)	15 (381)	38 (965)	18 (457)	4 1/4 (108)	NA	1 1/8 (29)	SEE ABOVE	5 1/4 (133)

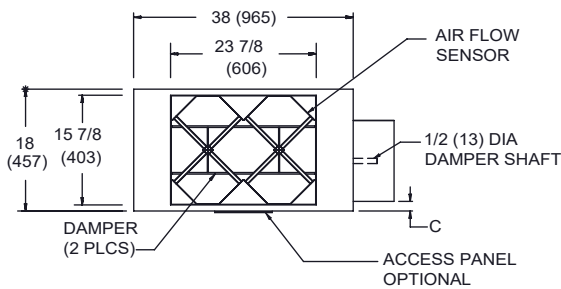
LMHS SUBMITTAL SHEET DIGITAL CONTROLS - BASE UNIT WITH ATTENUATOR



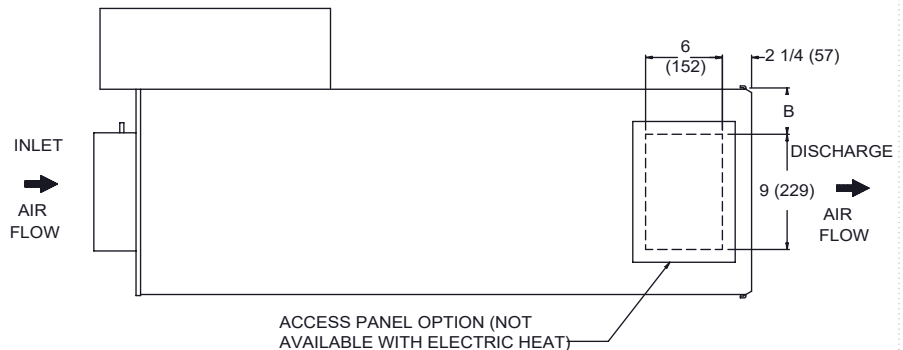
INLET VIEW - SIZES 4-16



SIDE VIEW



INLET VIEW - SIZE 22



BOTTOM VIEW

STANDARD FEATURES:

- 22 Ga. Zinc coated steel construction.
- **NEMA 1** steel control enclosure for electric or electronic components
- 1/2" thick dual density fiberglass insulation meeting **NFPA 90A** and **UL 181** safety requirements.
- Four quadrant averaging cross flow sensor
- Variety of electric, analog, and digital control packages for pressure dependent and pressure independent systems.
- **ETL** listed - Adherence to **UL 429** for electrically operated valves.

OPTIONAL FEATURES:

- 20 Ga. Zinc coated steel construction
- Liners: 1/2" dual density fiberglass None
- 1" dual density fiberglass Steriliner
- Perforated double wall 1/2" Sterilwall 1/2"
- Perforated double wall 1" Sterilwall 1"
- 1/2" Cellular - fibre free 1" Cellular - fibre free
- Linear averaging sensor.
- Disconnect switch for electronic controls.
- 24 volt transformer.
- Left hand controls. Right hand controls.
- Bottom access panel Hanger Brackets
- Dust tight control enclosure.
- Cam lock bottom access panel

NOTE: Right hand configuration shown, left hand available.

DIMENSIONS ARE GIVEN AS INCHES (MM)

INLET SIZE	NOM MAX CFM(L/s)	W	H	A	B	C	D	X
4	230 (109)	12 (305)	8 (203)	5 3/8 (136)	1 1/2 (38)	2 1/8 (54)	3 7/8 (98)	7 1/4 (184)
5	360 (170)	12 (305)	8 (203)	5 3/8 (136)	1 1/2 (38)	2 1/8 (54)	4 7/8 (124)	7 1/4 (184)
6	520 (245)	12 (305)	8 (203)	3 3/8 (86)	1 1/2 (38)	2 1/8 (54)	5 7/8 (149)	7 1/4 (184)
7	710 (335)	12 (305)	10 (254)	3 3/8 (86)	1 1/2 (38)	1 1/8 (29)	6 7/8 (175)	7 1/4 (184)
8	925 (437)	12 (305)	10 (254)	3 3/8 (86)	1 1/2 (38)	1 1/8 (29)	7 7/8 (200)	7 1/4 (184)
9	1200 (566)	14 (356)	12 1/2 (318)	3 3/8 (86)	2 1/2 (64)	-	8 7/8 (225)	5 1/4 (133)
10	1450 (685)	14 (356)	12 1/2 (318)	3 3/8 (86)	2 1/2 (64)	-	9 7/8 (251)	5 1/4 (133)
12	2100 (991)	16 (406)	15 (381)	3 3/8 (86)	3 1/2 (89)	-	11 7/8 (302)	5 1/4 (133)
14	2900 (1369)	20 (508)	17 1/2 (445)	3 3/8 (86)	5 1/2 (140)	-	13 7/8 (352)	3 1/4 (83)
16	3700 (1746)	24 (610)	18 (457)	3 3/8 (86)	7 1/2 (191)	-	15 7/8 (403)	3 1/4 (83)
22	7100 (3351)	38 (965)	18 (457)	4 1/4 (108)	14 1/2 (368)	1 1/8 (29)	SEE ABOVE	5 1/4 (133)