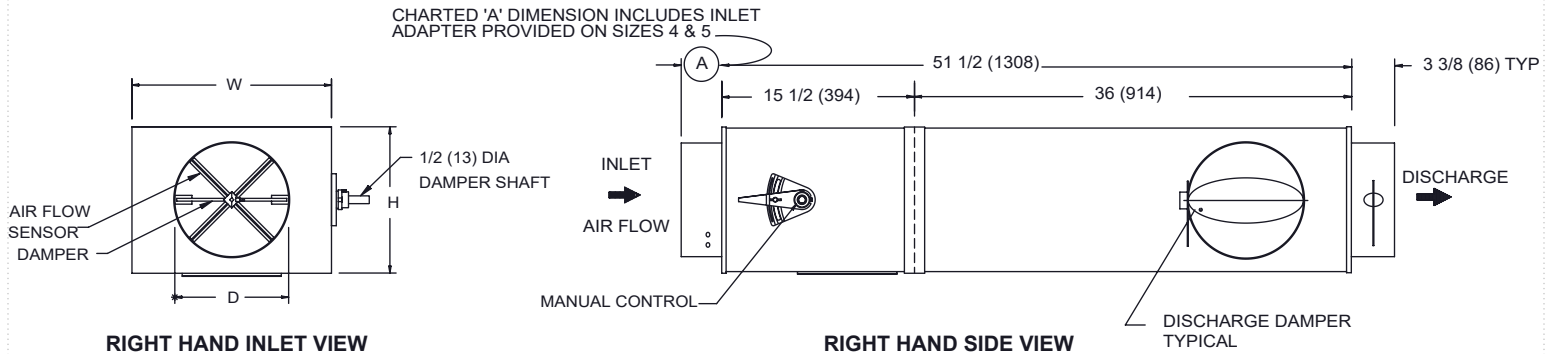


LMHS MULTI-OUTLET - MANUAL CONTROL

SUBMITTAL SHEET



STANDARD FEATURES :

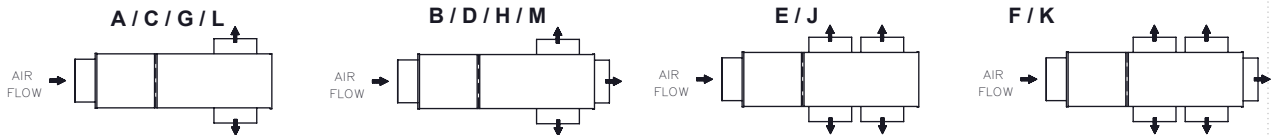
- 22 Ga. Zinc coated steel construction.
- Manual adjusting quadrant for adjustment of damper position.
- 1/2" thick dual density fiberglass insulation meets **NFPA 90A** and **UL 181** safety requirements.
- Four quadrant averaging cross flow sensor
- Left hand and right hand control configurations are available. (right hand shown above)

NOTES :

1. Multiple outlets are not available on size 22.
2. See Form **TS0000** for basic **LMHS** unit information.
3. See Form **TS0003** for additional outlet information.

DIMENSIONS ARE GIVEN AS INCHES (MM)

OPTIONAL OUTLET TYPES



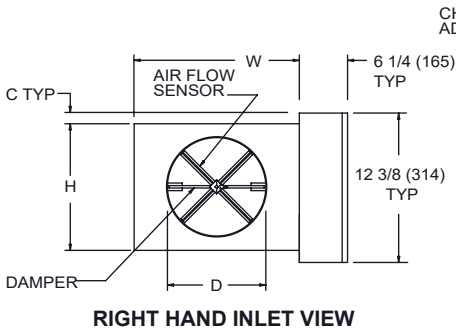
OPTIONAL FEATURES:

- 20 Ga. Zinc coated steel construction
- Liners:
 - 1/2" dual density fiberglass
 - 1" dual density fiberglass
 - Perforated double wall 1/2"
 - Perforated double wall 1"
 - 1/2" Cellular - fibre free
- Linear averaging sensor.
- Left hand control.
- Bottom access panel
- Cam lock bottom access panel
- None
- Steriliner
- Sterilwall 1/2"
- Sterilwall 1"
- 1" Cellular - fibre free
- Right Hand Controls
- Hanger Brackets

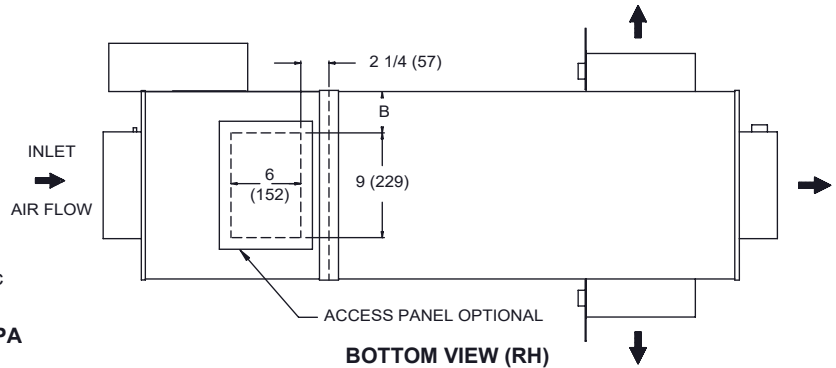
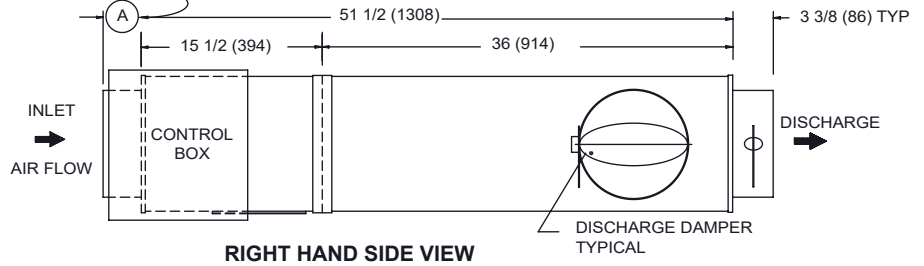
LMHS MULTI-OUTLET UNIT

INLET SIZE	NOM MAX CFM (L/s)	W	H	A	B	D	OUTLET TYPES
4	230 (109)	12 (305)	8 (203)	5 3/8 (136)	1 1/2 (38)	3 7/8 (98)	A / B
5	360 (170)	12 (305)	8 (203)	5 3/8 (136)	1 1/2 (38)	4 7/8 (124)	A / B
6	520 (245)	12 (305)	8 (203)	3 3/8 (86)	1 1/2 (38)	5 7/8 (149)	A / B
7	710 (335)	12 (305)	10 (254)	3 3/8 (86)	1 1/2 (38)	6 7/8 (175)	C / D / E
8	925 (437)	12 (305)	10 (254)	3 3/8 (86)	1 1/2 (38)	7 7/8 (200)	C / D / E / F
9	1200 (566)	14 (356)	12 1/2 (318)	3 3/8 (86)	2 1/2 (64)	8 7/8 (225)	D / E / G / H / J
10	1450 (685)	14 (356)	12 1/2 (318)	3 3/8 (86)	2 1/2 (64)	9 7/8 (251)	D / E / G / H / J
12	2100 (991)	16 (406)	15 (381)	3 3/8 (86)	3 1/2 (89)	11 7/8 (302)	H / J / K / L / M
14	2900 (2900)	20 (508)	17 1/2 (445)	3 3/8 (86)	5 1/2 (140)	13 7/8 (352)	H / J / K / L / M
16	3700 (1746)	24 (610)	18 (457)	3 3/8 (86)	7 1/2 (191)	15 7/8 (403)	H / J / K / L / M

LMHS MULTI-OUTLET - ELECTRIC OR ELECTRONIC CONTROL SUBMITTAL SHEET



CHARTED 'A' DIMENSION INCLUDES INLET ADAPTER PROVIDED ON SIZES 4 & 5



STANDARD FEATURES:

- 22 Ga. Zinc coated steel construction.
- **NEMA 1** steel control enclosure for electric or electronic components
- 1/2" thick dual density fiberglass insulation meeting **NFPA 90A** and **UL 181** safety requirements.
- Four quadrant averaging cross flow sensor
- Variety of electric and electronic control packages for pressure dependent and pressure independent systems.
- **ETL** listed - Adherence to UL249 for electrically operated valves
- Left hand and right hand control configurations are available. (right hand shown above)

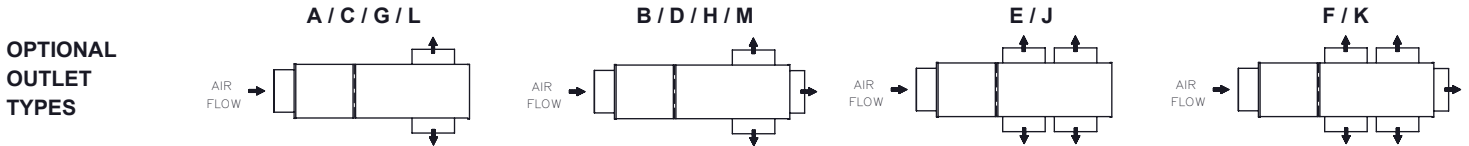
NOTES :

1. Multiple outlets are not available on size 22.
2. See Form **TS0000** for basic **LMHS** unit information.
3. See Form **TS0003** for additional outlet information.

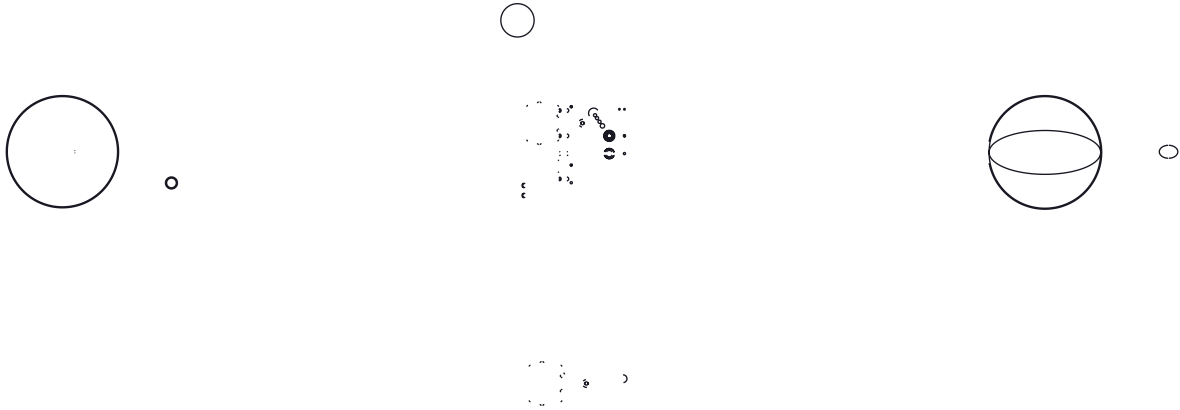
OPTIONAL FEATURES:

- 20 Ga. Zinc coated steel construction
- Liners:
 - 1/2" dual density fiberglass
 - 1" dual density fiberglass
 - Perforated double wall 1/2"
 - Perforated double wall 1"
 - 1/2" Cellular - fibre free
- None
- Steriliner
- Sterilwall 1/2"
- Sterilwall 1"
- 1" Cellular - fibre free
- Linear averaging sensor.
- Disconnect switch for electronic controls
- 24 volt transformer.
- Left hand controls.
- Dust tight control enclosure
- Cam lock bottom access panel
- Right Hand Controls
- Hanger Brackets
- Bottom Access Panel

DIMENSIONS ARE GIVEN AS INCHES (MM)



LMHS MULTI-OUTLET UNIT							
INLET SIZE	NOM MAX CFM (L/s)	W	H	A	B	D	OUTLET TYPES
4	230 (109)	12 (305)	8 (203)	5 3/8 (136)	1 1/2 (38)	3 7/8 (98)	A / B
5	360 (170)	12 (305)	8 (203)	5 3/8 (136)	1 1/2 (38)	4 7/8 (124)	A / B
6	520 (245)	12 (305)	8 (203)	3 3/8 (86)	1 1/2 (38)	5 7/8 (149)	A / B
7	710 (335)	12 (305)	10 (254)	3 3/8 (86)	1 1/2 (38)	6 7/8 (175)	C / D / E
8	925 (437)	12 (305)	10 (254)	3 3/8 (86)	1 1/2 (38)	7 7/8 (200)	C / D / E / F
9	1200 (566)	14 (356)	12 1/2 (318)	3 3/8 (86)	2 1/2 (64)	8 7/8 (225)	D / E / G / H / J
10	1450 (685)	14 (356)	12 1/2 (318)	3 3/8 (86)	2 1/2 (64)	9 7/8 (251)	D / E / G / H / J
12	2100 (991)	16 (406)	15 (381)	3 3/8 (86)	3 1/2 (89)	11 7/8 (302)	H / J / K / L / M
14	2900 (2900)	20 (508)	17 1/2 (445)	3 3/8 (86)	5 1/2 (140)	13 7/8 (352)	H / J / K / L / M
16	3700 (1746)	24 (610)	18 (457)	3 3/8 (86)	7 1/2 (191)	15 7/8 (403)	H / J / K / L / M



STANDARD FEATURES :

- 22 Ga. Zinc coated steel construction.
- 1/2" thick dual density fiberglass insulation meets **NFPA 90A** and **UL 181** safety requirements.
- Four quadrant averaging cross flow sensor
- Pneumatic pressure independent controls.
- Compressed air consumption : 1.0 scfh @ 20 psig.
- Left hand and right hand control configurations are available. (right hand shown above)

20 Ga. Zinc coated steel construction
Liners:

NOTES :

1. Multiple outlets are not available on size 22.
2. See Form **TS0000** for basic **LMHS** unit information.
3. See Form **TS0003** for additional outlet information

Linear averaging sensor.
Left hand control.
Direct acting thermostat
Reverse acting thermostat
Bottom access panel
Cam lock bottom access panel

Right Hand Controls
Normally Open Damper
Normally Closed Damper
Hanger Brackets

DIMENSIONS ARE GIVEN AS INCHES (MM)

--	--	--	--