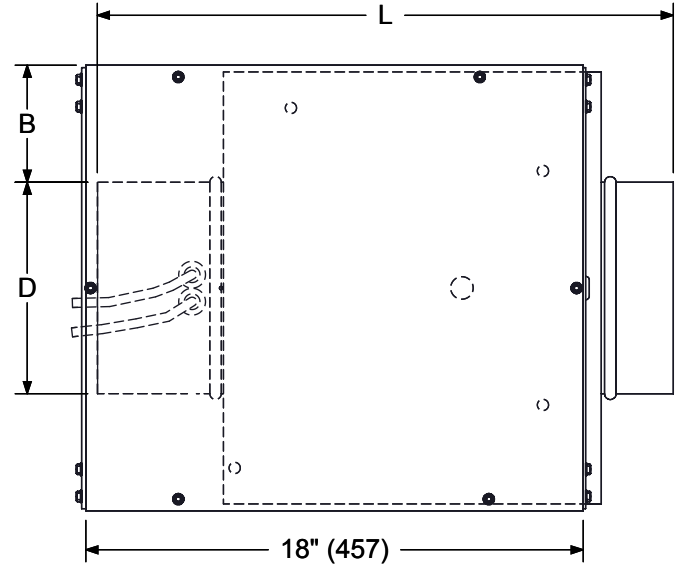

INLET VIEW

SIDE VIEW

INLET SIZE	A	B	D	H	L	MAX CFM [L/s]	MIN CFM [L/s]
4	3 9/16 (90)	4 3/16 (106)	3 7/8 (98)	12 (305)	18 (457)	230 [109]	40 [19]
5	3 9/16 (90)	3 11/16 (94)	4 7/8 (124)	12 (305)	18 (457)	360 [170]	62 [29]
6	3 9/16 (90)	3 3/16 (81)	5 7/8 (149)	12 (305)	16 (406)	515 [243]	89 [42]
7	4 1/16 (103)	2 11/16 (68)	6 7/8 (175)	12 (305)	16 (406)	700 [330]	121 [57]
8	4 9/16 (116)	2 3/16 (56)	7 7/8 (200)	12 (305)	16 (406)	920 [434]	159 [75]
9	5 1/16 (129)	1 11/16 (43)	8 7/8 (225)	12 (305)	20 (508)	1160 [547]	201 [94]
10	5 9/16 (141)	1 3/16 (30)	9 7/8 (251)	12 (305)	20 (508)	1430 [675]	248 [117]
12	6 9/16 (167)	3/16 (5)	11 7/8 (302)	12 (305)	20 (508)	2060 [972]	357 [168]
14	7 9/16 (192)	N/A	13 7/8 (352)	14 (356)	24 (610)	2800 [1321]	486 [229]
16	8 9/16 (217)	N/A	15 7/8 (403)	16 (406)	24 (610)	3660 [1727]	634 [299]

NOTE: Dimensions Are Shown In Inches (mm)

STANDARD FEATURES:

- 22 GA. Steel Construction
- Four Quadrant Center Averaging Airflow Sensor
- Inlet Sizes 4 and 5 Require an Inlet Adapter
- "D" Dimension is Diameter of Inlet
- Variety of Analog or Digital Electronic Control Packages
- ETL Listed – Adherence to UL 429

OPTIONAL FEATURES:

- 20 GA. Steel Casing Construction
- 316 Stainless Steel Construction
- Disconnect For Controls
- Transformer
- Linear Averaging Airflow Sensor