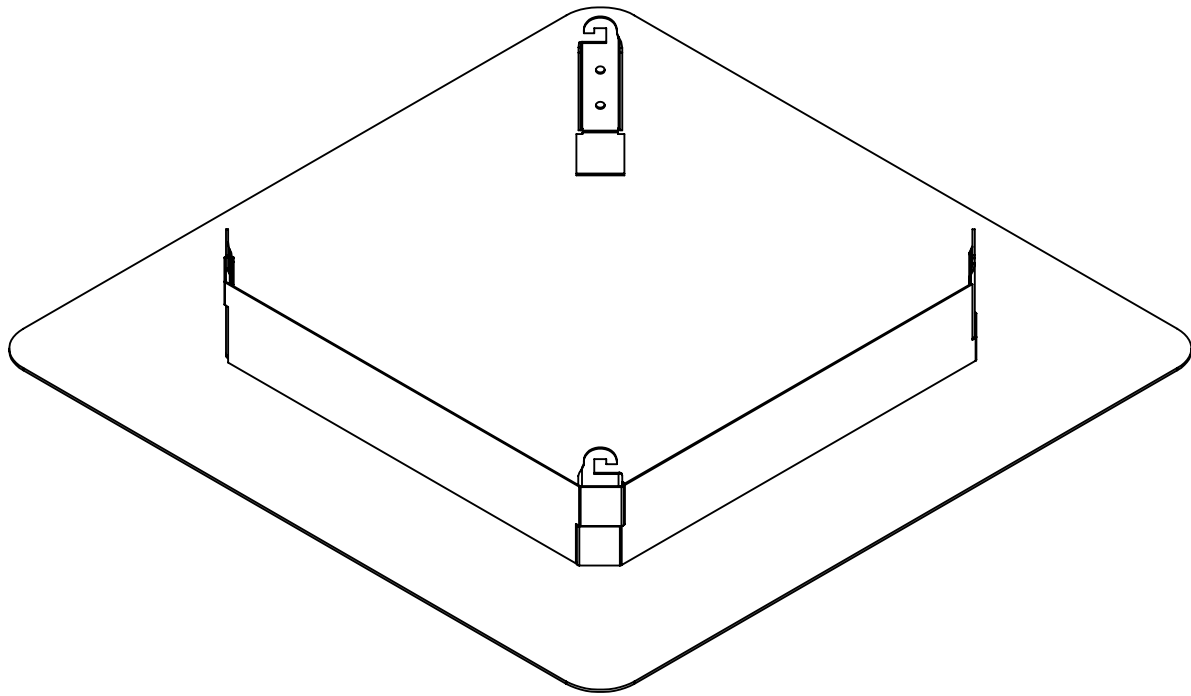


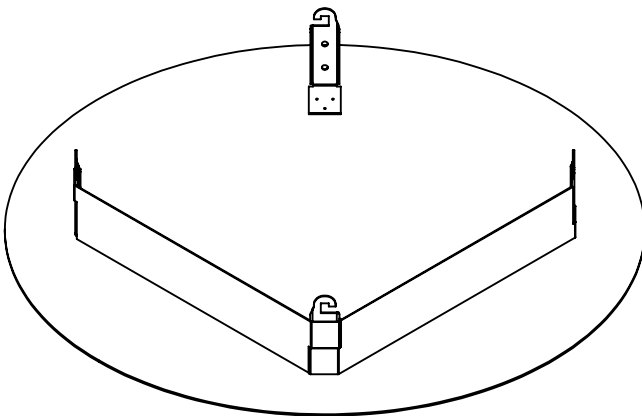
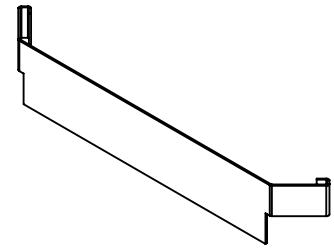
PLQ - DBT

Directional Blank Off Tabs

SUBMITTAL SHEET



**BLANK OFF TYPE TYPICAL
OF 12" (305) AND 24" (610) PANEL
FOR LATCH STYLE PLAQUE**



NOTES:

1. 22 GA. Steel Construction
2. Fits All Frame Styles
3. Standard Finish is 44 White

**DIMENSIONS ARE SHOWN AS
INCHES (MM)**