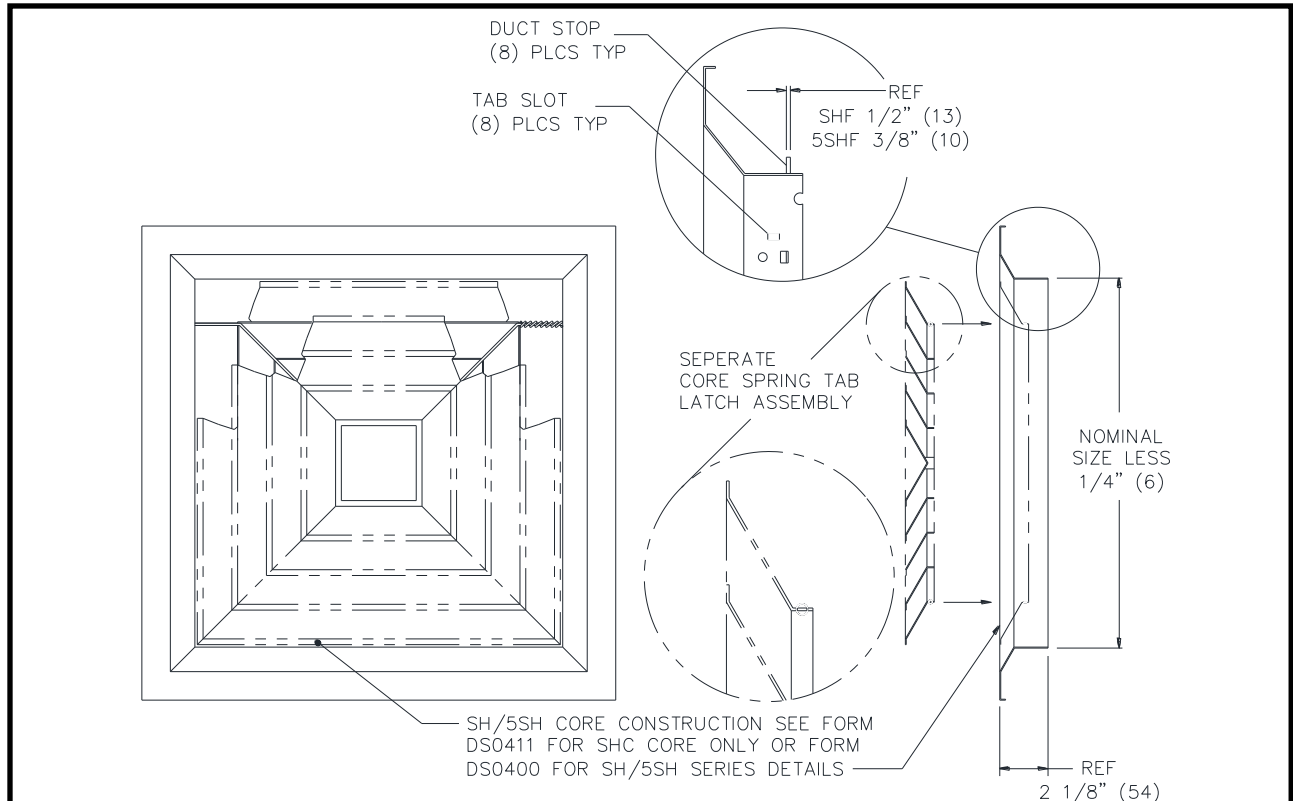


JOB NAME _____
 ARCHITECT _____
 ENGINEER _____
 CONTRACTOR _____
 LOCATION _____

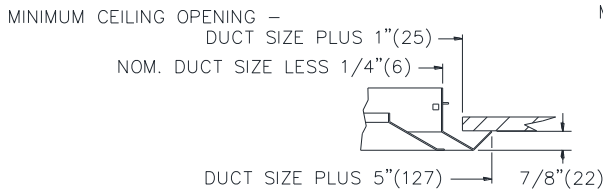
SUBMITTAL SHEET
 Form Number DS0411.3 Effective Date 2/16
 Replaces Form DS0411.2



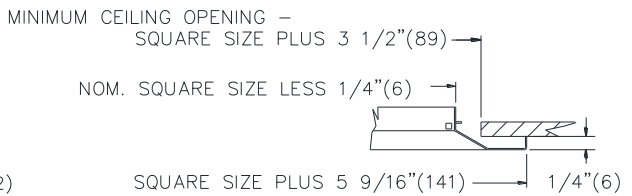
SHF / 5SHF SERIES
REPLACEMENT SH FRAME ONLY



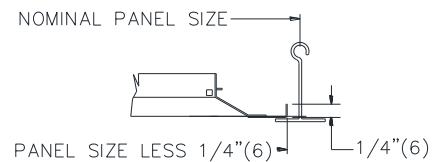
□ FRAME 21



□ FRAME 22



□ FRAME 23



NOTES:

1. **SHF** SERIES IS STEEL CONSTRUCTION REPLACEMENT FRAME ONLY.
2. **5SHF** SERIES IS ALUMINUM CONSTRUCTION REPLACEMENT FRAME ONLY.
3. FRAMES ARE SIZED TO FIT THEIR OWN SPECIFIC NOMINAL DUCT / FRAME SIZES. NOMINAL SIZE DIMENSIONS INCREASE IN 3" (76) INCREMENTS FROM A MINIMUM OF 6" (152) TO A MAXIMUM OF 48" (1219).
4. WHEN USING FLEX DUCT WITH HARD CEILING PLEASE ORDER F23 WITH CORRESPONDING 5HCF23 PLASTER FRAME

DIMENSIONS ARE SHOWN AS INCHES (MM)