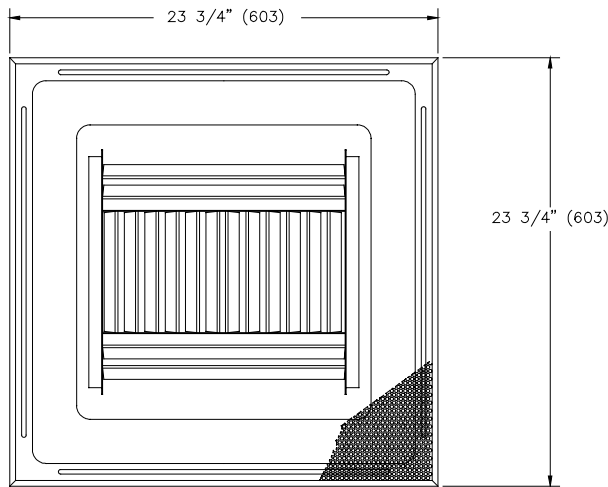


JOB NAME _____
 ARCHITECT _____
 ENGINEER _____
 CONTRACTOR _____
 LOCATION _____

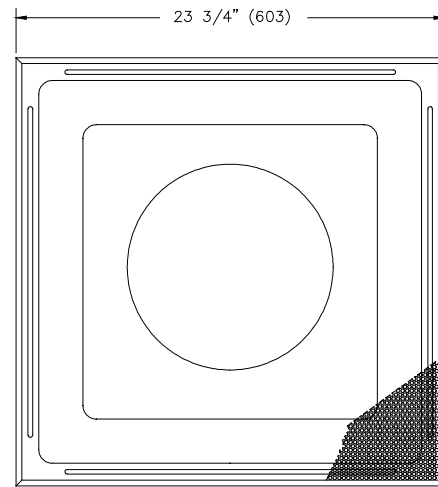
SUBMITTALSHEET
 Form Number DS6042.2 Effective Date 10/99
 Replaces DS6042.1



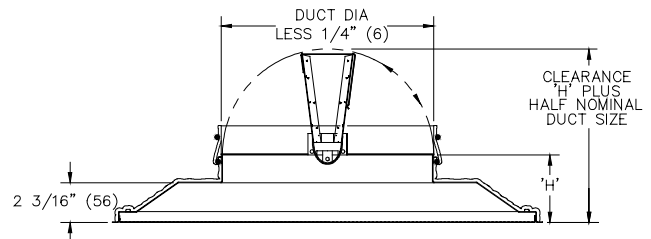
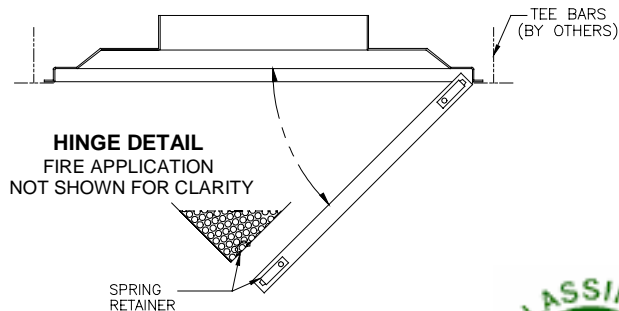
6500FR / 6590FR SERIES
Adjustable Supply / Return with Round Neck & Perforated Face



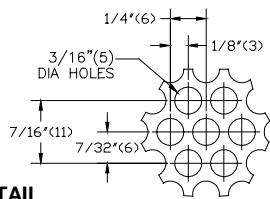
□ 6500FR - SUPPLY



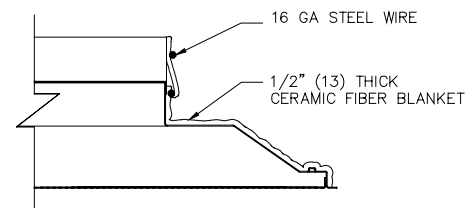
□ 6590FR - RETURN



TYPICAL CROSS SECTION



PERF DETAIL



FIRE BLANKET DETAIL

SUPPLY PATTERN OPTIONS



6501



6502



6502C



6503



6504

NOMINAL PANEL 24 x 24 (610 x 610)	INLET SIZE		'H'
	6 (152)	8 (203)	
	10 (254)	12 (305)	3 1/4" (83)
	14 (356)		3 3/4" (95)

- Series 6500F23 and 6590F23 feature a UL classified fire rated assembly that incorporates a 3 hour fire damper and 1/2" (13) thick ceramic fiber blanket.
- All steel construction
- Finish is 44 British White

DIMENSIONS ARE SHOWN AS INCHES (MM)

Product Information is Subject to Change Without Notice