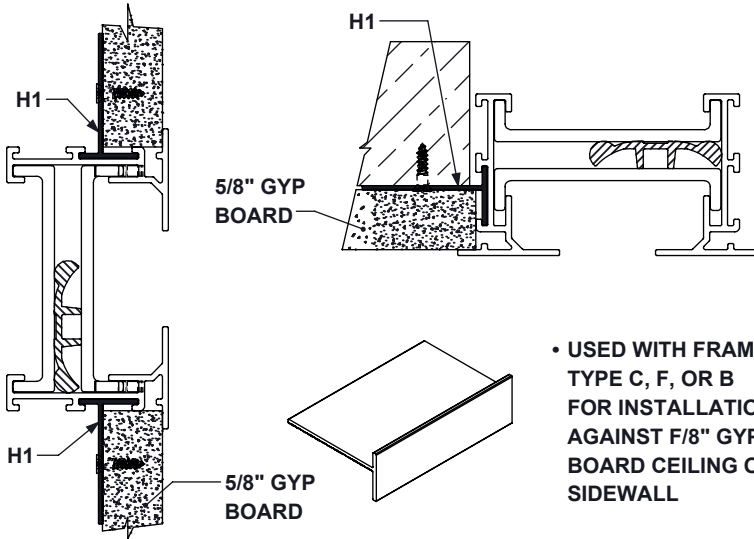


DESIGNFLO™ MOUNTING BRACKETS AND HANGERS, PAGE 1 OF 3

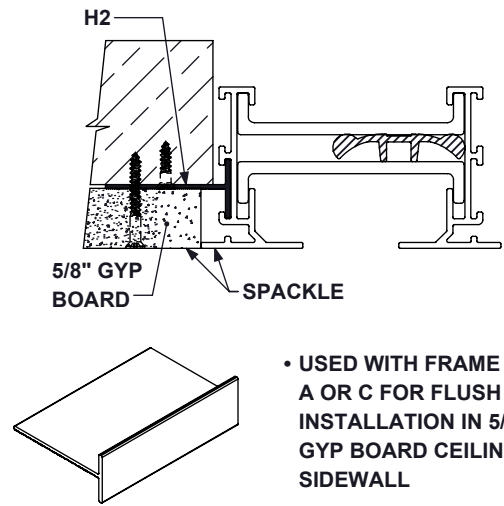
SUBMITTAL SHEET

□ H1 HARD SURFACE BRACKET



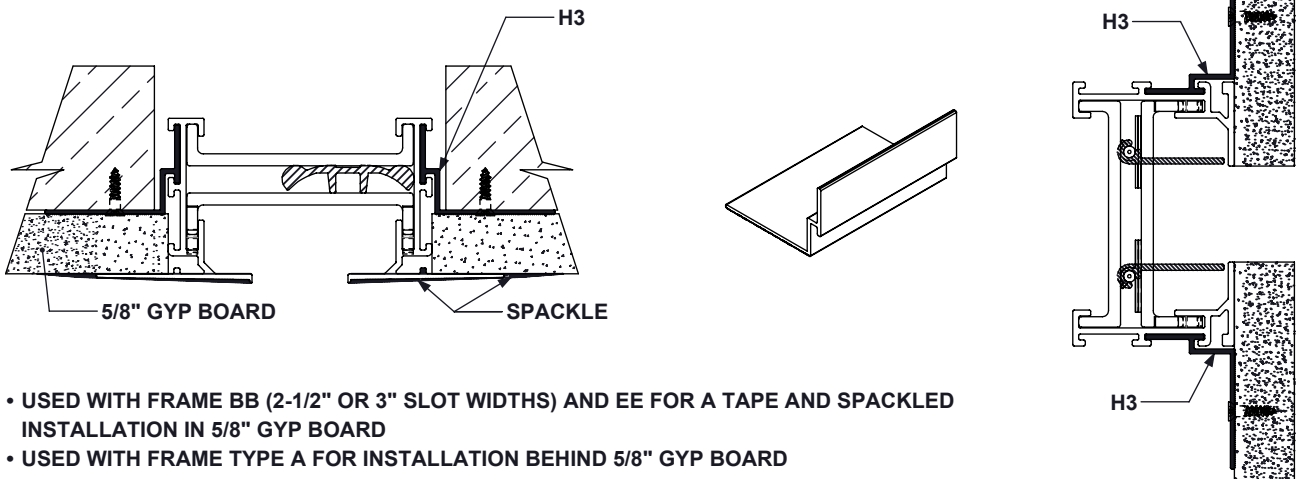
- USED WITH FRAME TYPE C, F, OR B FOR INSTALLATION AGAINST 5/8" GYP BOARD CEILING OR SIDEWALL

□ H2 HARD SURFACE BRACKET



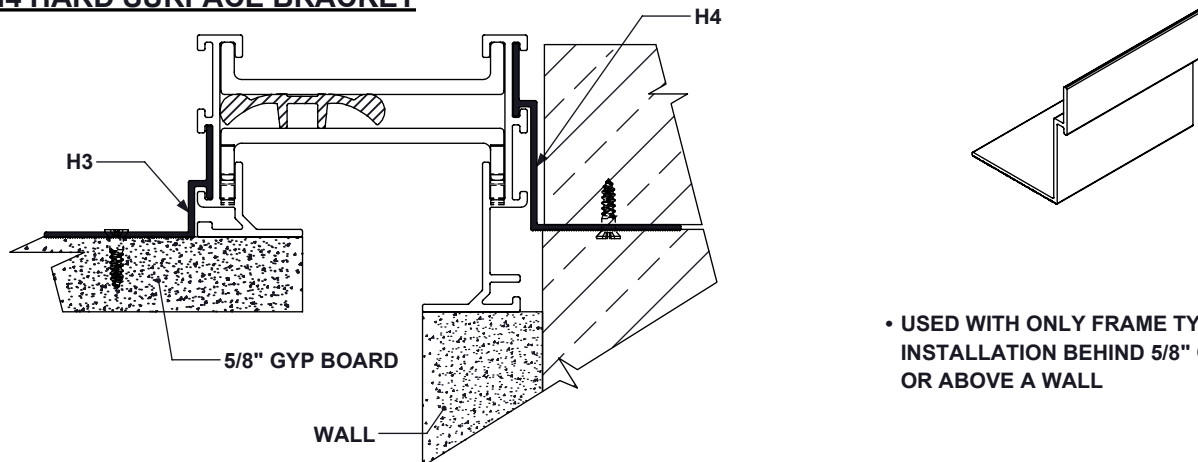
- USED WITH FRAME TYPE A OR C FOR FLUSH INSTALLATION IN 5/8" GYP BOARD CEILING OR SIDEWALL

□ H3 HARD SURFACE BRACKET



- USED WITH FRAME BB (2-1/2" OR 3" SLOT WIDTHS) AND EE FOR A TAPE AND SPACKLED INSTALLATION IN 5/8" GYP BOARD
- USED WITH FRAME TYPE A FOR INSTALLATION BEHIND 5/8" GYP BOARD

□ H4 HARD SURFACE BRACKET

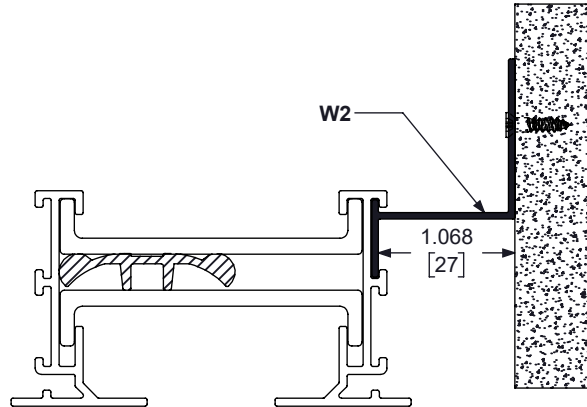
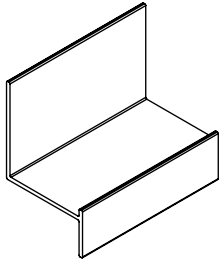


- USED WITH ONLY FRAME TYPE D FOR INSTALLATION BEHIND 5/8" GYP BOARD OR ABOVE A WALL

DESIGNFLO™ MOUNTING BRACKETS AND HANGERS, PAGE 2 OF 3

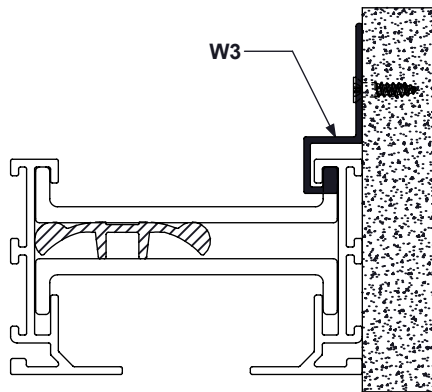
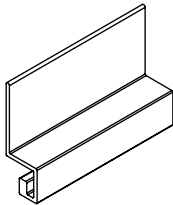
SUBMITTAL SHEET

W2 WALL BRACKET



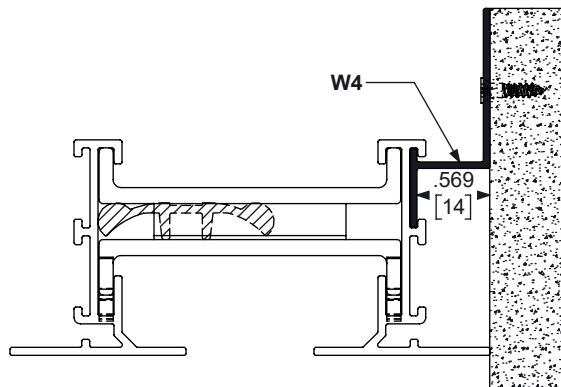
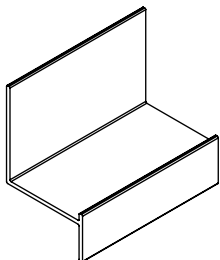
- USED WITH FRAME TYPE A, C, D, OR F FOR INSTALLATION OF DFL PERPENDICULAR TO A WALL WITH A REVEAL EFFECT BETWEEN THE FLANGE AND WALL

W3 WALL BRACKET



- USED WITH FRAME TYPE A OR D FOR INSTALLATION OF DFL PERPENDICULAR TO A WALL, WHERE FLANGE EDGE IS FLUSH AGAINST THE WALL. CANNOT BE USED WITH DFP PLENUM

W4 WALL BRACKET

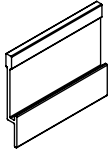


- USED WITH FRAME TYPE F FOR INSTALLATION OF DFL PERPENDICULAR TO A WALL WHERE FLANGE EDGE IS FLUSH AGAINST THE WALL

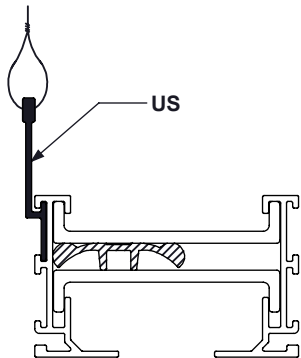
DESIGNFLO™ MOUNTING BRACKETS AND HANGERS, PAGE 2 OF 3

SUBMITTAL SHEET

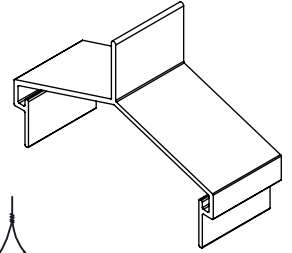
US UPPER SUPPORT HANGER



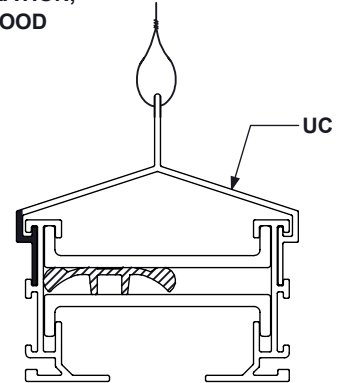
- USED WITH ALL FRAME TYPES, EXCEPT BB, FOR INSTALLATION IN EXPOSED CEILING TYPE INSTALLATION, SUCH AS METAL OR WOOD SLAT CEILINGS



UC UPPER HANGER CLIP

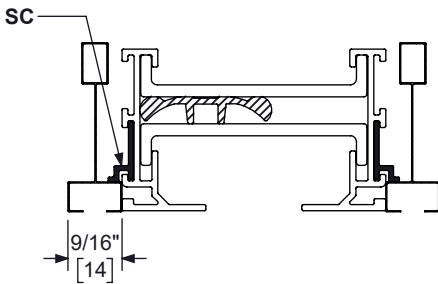
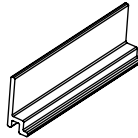


- USED WITH ALL FRAME TYPES, EXCEPT BB, FOR INSTALLATION IN EXPOSED CEILING TYPE INSTALLATION, SUCH AS METAL OR WOOD SLAT CEILINGS



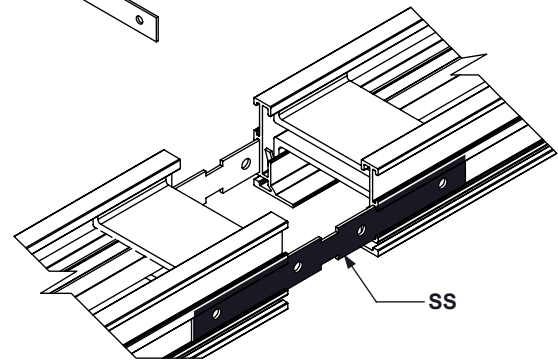
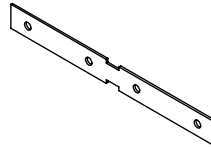
SC SPLINE CLIP

- USED WITH ONLY FRAME TYPE A TO INSTALL INTO 9/16" DROP FACE T-BAR GRID

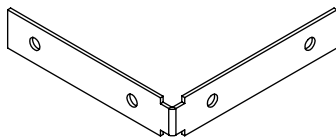


SS SPLINE SUPPORT BRACKET (AS SUPPLIED)

- USED WITH ALL FRAME TYPES TO CONNECT MULTIPLE SECTIONS OF LINEAR TOGETHER



SS SPLINE SUPPORT BRACKET (FIELD SHAPED)



- USED WITH ALL FRAME TYPES TO COUPLE WITH 15/16" T-BAR CEILINGS

