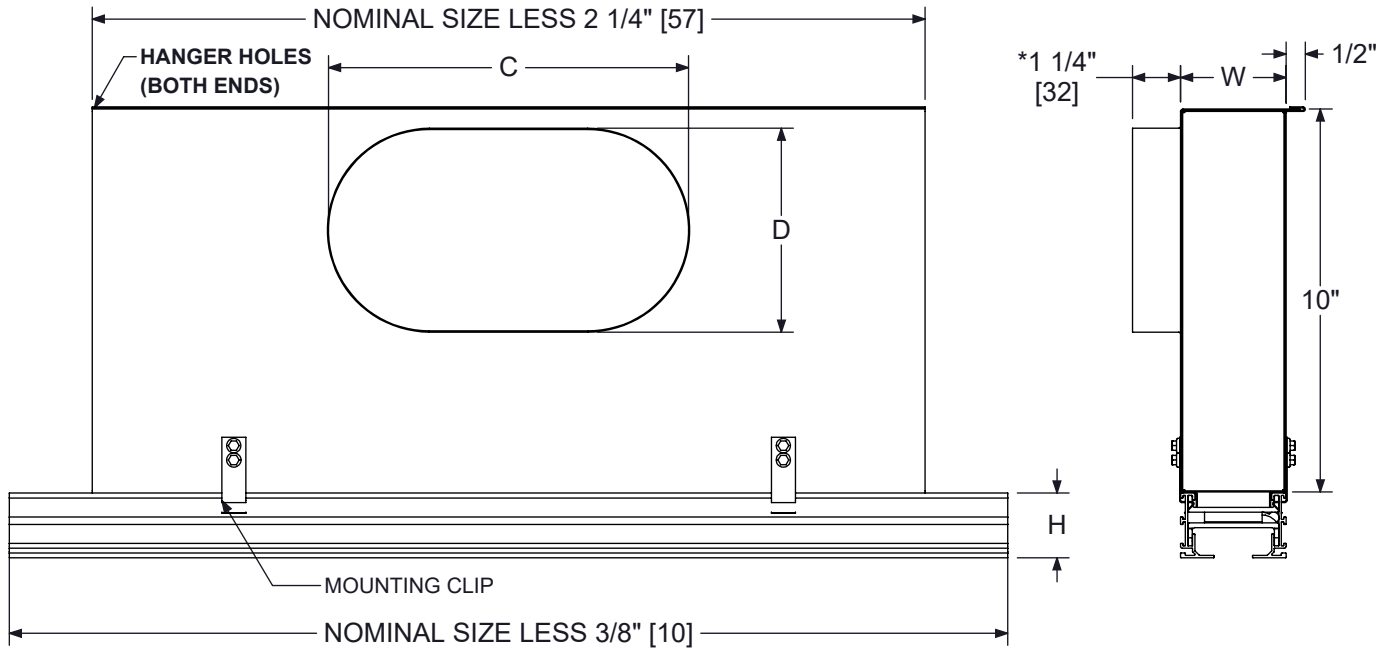
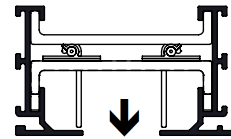
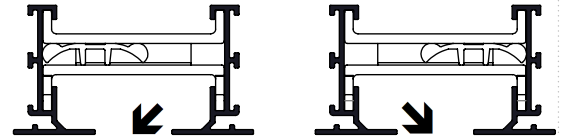


**DESIGNFLO™ DFB PLENUM BOOT**  
**15/16" T-BAR CEILING DIFFUSER APPLICATION**
**SUBMITTAL SHEET**

**DFB NOTES:**

- PLENUM IS MILL FINISH GALVANIZED STEEL
- STANDARD FACE FINISH IS #44 WHITE WITH FLAT BLACK INTERIOR
- UNIT IS OFFERED IN FRAME STYLES AC AND CC ONLY.
- UNIT COMES WITH END PLATE ON BOTH ENDS
- UNIT TO BE INSTALLED IN 15/16" FLAT T-BAR CEILING

 **VT**  
 FIXED BLADES  
 FRAME AC SHOWN

 **HT**  
 ADJUSTABLE  
 FRAME CC SHOWN

**ACCESSORY OPTIONS:**

- FRAME AC
- FRAME CC
- 1/4" [6], 2LB DENSITY FIBERGLASS INSULATION
- 1/4" [6], CLOSED CELL FIBER FREE INSULATION
- \*QUADRANT DAMPER - ADDS 6" [152] TO INLET DEPTH. SEE FORM GC0114
- ONE SLOT DETAILS - SEE FORM GC0100
- TWO SLOT DETAILS - SEE FORM GC0102
- SS - SPLINE SUPPORT BRACKET - SEE FORM GC0107
- US - UPPER SUPPORT BRACKET - SEE FORM GC0107

INLET SIZE	C	D
<input type="checkbox"/> 6" OVAL	6 1/4 [159]	5 1/4 [133]
<input type="checkbox"/> 8" OVAL	9 3/8 [238]	5 1/4 [133]
<input type="checkbox"/> 10" OVAL	12 1/2 [318]	5 1/4 [133]
<input type="checkbox"/> 12" OVAL	14 1/8 [359]	7 7/8 [200]

 DIMENSIONS ARE GIVEN AS  
 INCHES [MM]

MODEL	H	ONE SLOT			TWO SLOT		NOMINAL SIZE	UNIT LENGTH	PLENUM LENGTH
		1 W	2NV W	2AB W	2NV W	2AB W			
<input type="checkbox"/> DFB10	1 11/16 [43]	2 3/4 [70]	5 3/16 [132]	6 1/16 [154]			24 [610]	23 5/8 [600]	21 3/4 [552]
<input type="checkbox"/> DFB15	1 11/16 [43]	3 3/4 [95]	7 3/16 [183]	8 1/16 [205]					
<input type="checkbox"/> DFB20	1 11/16 [43]	4 3/4 [121]	9 3/16 [233]	10 1/16 [256]					
<input type="checkbox"/> DFB25	2 5/16 [59]	5 3/4 [146]	11 3/16 [284]	12 1/16 [306]		60 [1524]			
<input type="checkbox"/> DFB30	2 5/16 [59]	6 3/4 [171]	13 3/16 [335]	14 1/16 [357]					